

HOW TO ASSEMBLE PROCLASSIC HOSE WITH FULL FLOW HOSE ENDS



Step One: Cut hose to length, as straight and square as possible, with razor blade-type hose cutter or shears.



Step Two: Unscrew socket from hose end. Push hose into socket, turning counter-clockwise, until hose is seated against step in socket. Make sure rubber part of hose does not protrude into socket threads.

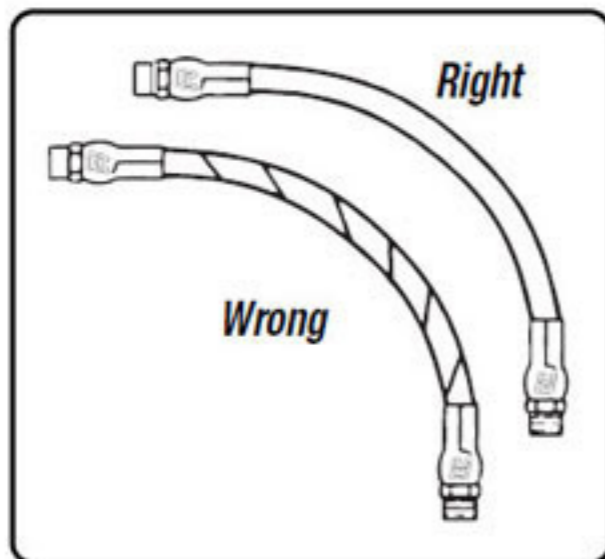


Step Three: Apply Russell assembly lube to threads on nipple assembly and in socket. Insert nipple into socket/hose and start threads by hand (clockwise).

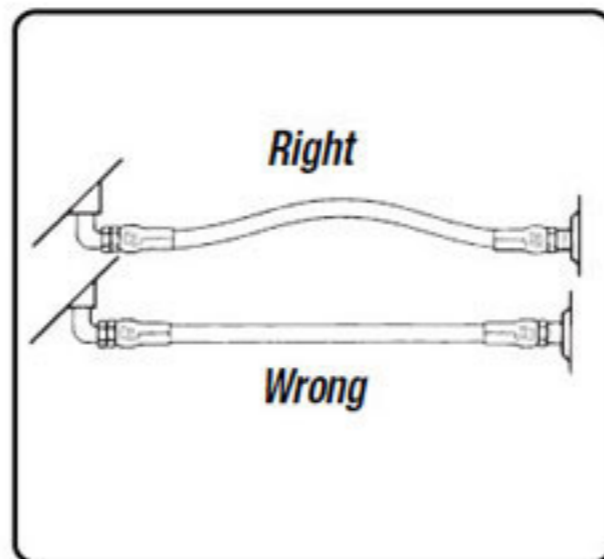


Step Four: Hold socket/hose in vise. Turn nipple with wrench until there is less than 1/16" between nipple hex & socket. Then, flush hose assembly w/solvent or soapy water and blow clean with compressed air or let air dry.

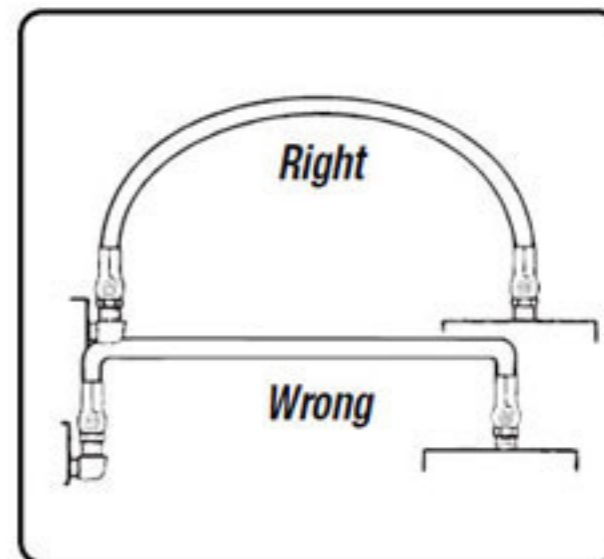
HOSE INSTALLATION TIPS



Avoid installing the hose in a twisted position.



Allow slack in your hose assembly for changes in length that occur under pressure.



When routing the hose assembly, provide a smooth bend radius. Avoid sharp bends, which will collapse the hose I.D. and could restrict flow.