

## JEEP JK TUBE DOOR KIT

### RS6216(B) Parts List

| <u>PART NO.</u> | <u>DESCRIPTION</u>    | <u>QTY.</u> |
|-----------------|-----------------------|-------------|
| 176536B         | Left Front Tube Door  | 1           |
| 176537B         | Right Front Tube Door | 1           |
| 860609          | Latch Kit             | 1           |
| 770171          | Left Latch            | 1           |
| 770172          | Right Latch           | 1           |
| 860621          | Latch Hardware        | 1           |
| 860611          | Mirror Kit            | 1           |
| 176542          | Sleeve                | 4           |
| 770183          | Rubber Bumper         | 2           |
|                 | M10-1.50 Nylock Nut   | 2           |
|                 | Sheet Metal Screw     | 2           |
| 88616           | Instruction           | 1           |

### RS6217(B) Parts List

| <u>PART NO.</u> | <u>DESCRIPTION</u>   | <u>QTY.</u> |
|-----------------|----------------------|-------------|
| 176538B         | Left Rear Tube Door  | 1           |
| 176539B         | Right Rear Tube Door | 1           |
| 860609          | Latch Kit            | 1           |
| 770171          | Left Latch           | 1           |
| 770172          | Right Latch          | 1           |
| 860621          | Latch Hardware       | 1           |
| 860617          | Hardware Kit         | 1           |
| 770183          | Rubber Bumper        | 2           |
|                 | M10-1.50 Nylock Nut  | 2           |
|                 | Sheet Metal Screw    | 2           |
| 88616           | Instruction          | 1           |

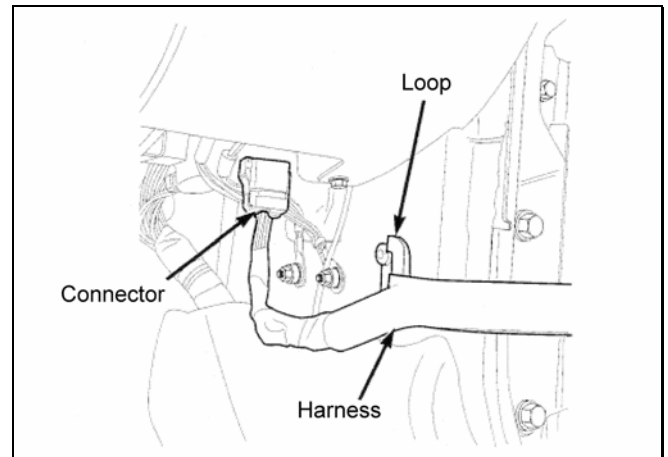
### WARNING!

This product is for slow speed, off-road use only. It is not intended as a safety restraint device. Always wear your seat belts and avoid sharp turns and other abrupt maneuvers. Please check state and local laws before installation.

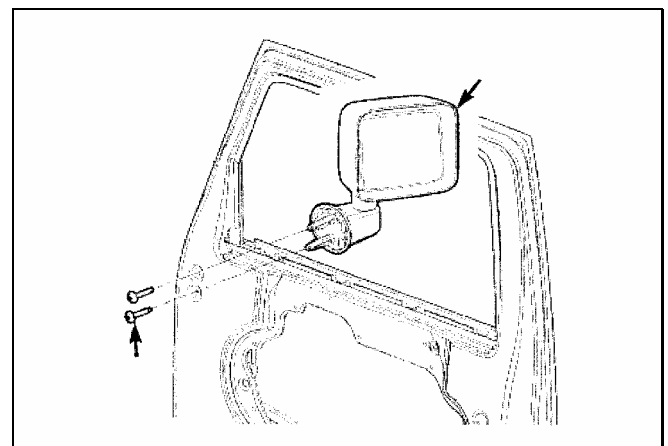
### Removal:

NOTE: Front door shown in illustrations, rear door is similar.

- 1) Open door and disconnect the electrical connector from the pillar area.
- 2) Separate the retaining strap and harness from the loop.
- 3) Remove nuts from hinges. Lift door off hinges and remove.
- 4) If applicable, remove bolts and separate the mirror from the door.



Illus. 1

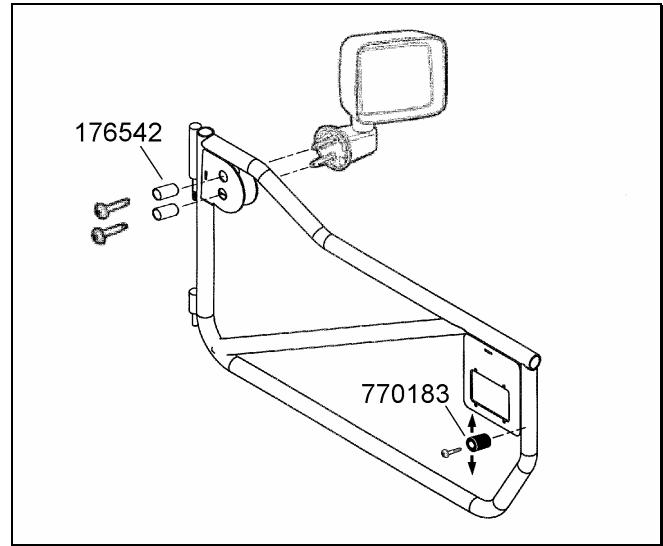


Illus. 2

### Installation:

NOTE: Trimming bumper length may be necessary for a precise fit.

- 1) If applicable, attach mirror to front tube door with two sleeves (176452) and the original hardware. Tighten the bolts to 10 ft. lbs.
- 2) Using the supplied hardware, attach left latch to left door and right latch to right door.
- 3) Align pins on new tube door with body hinges. Insert pins into hinges.
- 4) Attach top pin with the supplied nut. Tighten nut to 75 in. lbs. If necessary, adjust door alignment.
- 5) Using rubber bumper 770183 as a template, mark the best mounting location on the inside end of the tube door near the latch plate. Location will vary vehicle to vehicle.
- 6) Drill a 5/32" (#22 drill size) hole at the marked location. Attach bumper to tube door with the supplied sheet metal screw.



Illus 3



Illus. 4