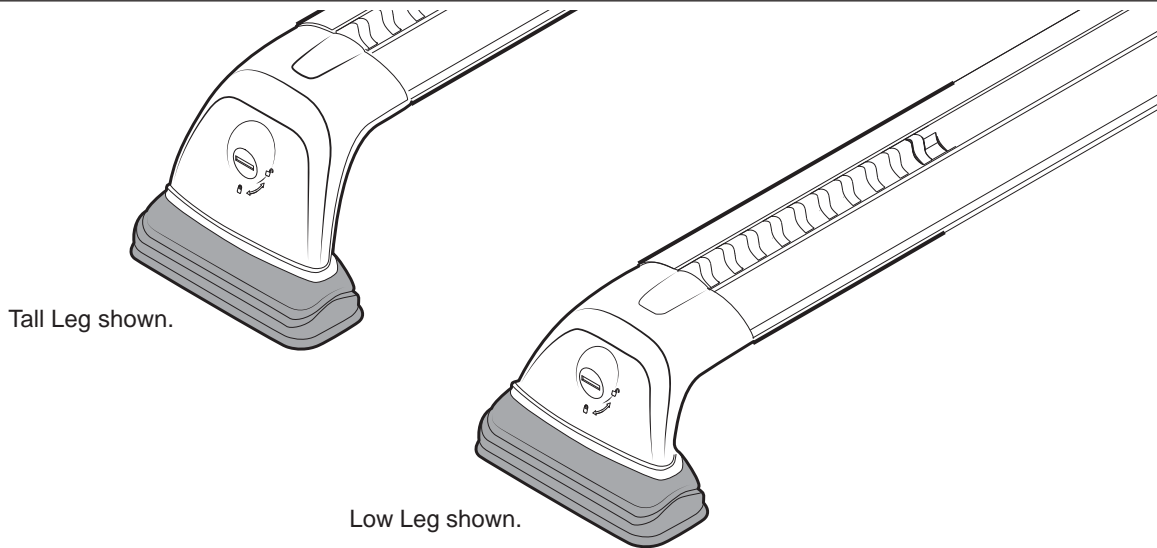




# RHINO-RACK

## RCP-JB Short Fixed Mount

- Important:**
- 1. Please refer to your fitting instruction to ensure that the roof racks are installed in the correct locations.
  - 2. Check the contents of kit before commencing fitment and report any discrepancies.
  - 3. Place these instructions in the vehicle's glove box after installation is complete.
  - 5. These instructions must be followed for warranty to be upheld.



### IMPORTANT INFORMATION

| On Road Cargo Allowance | Off Road Cargo Allowance | Roof Allowance | Rack Weight |
|-------------------------|--------------------------|----------------|-------------|
| 70kg / 154lb            | 46kg / 101lbs            | 75kg / 165lbs  | 5kg / 11lb  |

Please refer to your vehicle manufacturers handbook for maximum roof loading. Always use the lower of the two figures. Note: Be sure to check the Rhino-Rack website to see if you have the latest version of instructions before beginning.

**Advisory:**

It is essential that all bolt connections be checked after 48hrs from when you first install your crossbars. Bolt connections should be checked again at regular intervals (once a week is enough, depending on road conditions, usage, loads and distances travelled). You should also check the crossbars each time they are refitted. Make sure to fasten your load securely. Please ensure that all loads are evenly distributed and that the centre of gravity is kept as low as possible. Unless stated otherwise in these instructions, all fasteners should be set to the following torque settings - M6: 4-5Nm (3-4lbs/ft), M8: 8-10Nm (6-7.5lbs/ft) and M10: 16-18Nm (12-13lbs/ft).

**Use only non-stretch fastening ropes or straps.**

**Load Ratings**

When these roof racks are to be used on a vehicle that is driven off sealed roads, the manufacturer maximum roof load rating (to be found in the vehicle's User Manual) should be divided by a safety factor of **1.5**. For example, if the vehicle's maximum roof load rating is 70kgs\165lbs, these racks, when fitted to this vehicle should have no more than 46kgs/101lbs loaded on them.

**Caution:**

The handling characteristics of the vehicle changes when you transport a load on the roof. For safety reasons we recommend you exercise extreme care when transporting wind-resistant loads. Special consideration must be taken into account when cornering and braking. **Please remove crossbars when putting vehicle through an automatic car wash.**

**Note for Dealers and Fitters:** It is your responsibility to ensure instructions are given to the end user or client.

Rhino-Rack  
 3 Pike Street, Rydalmere,  
 NSW 2116, Australia.  
 (Ph) (02) 9638 4744  
 (Fax) (02) 9638 4822

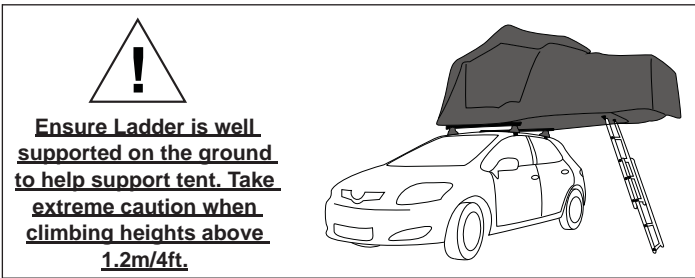
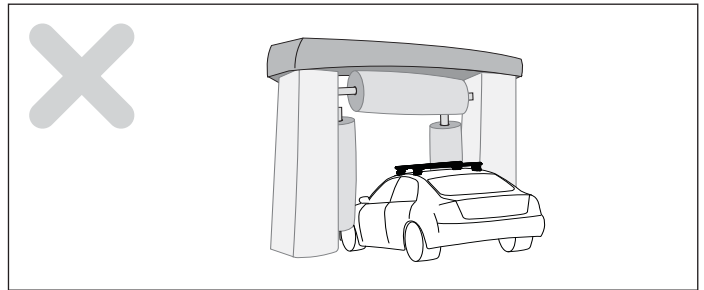
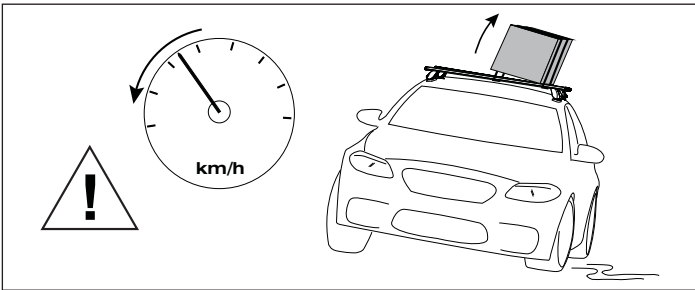
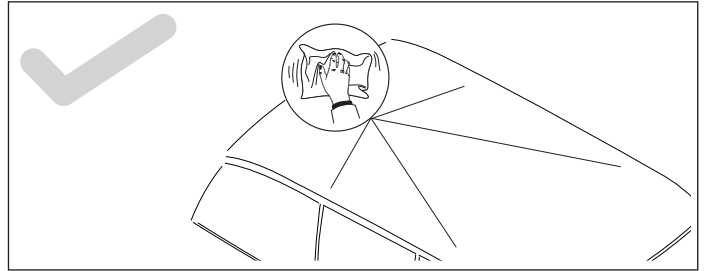
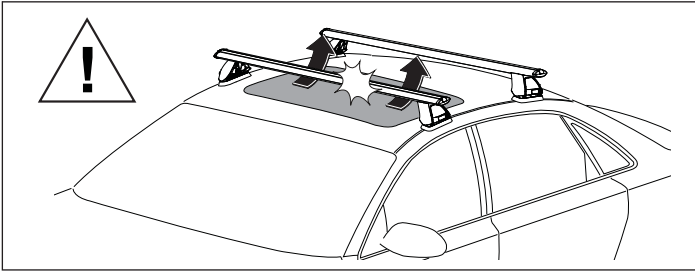
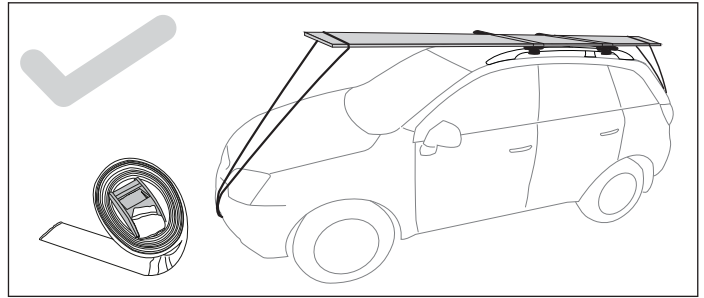
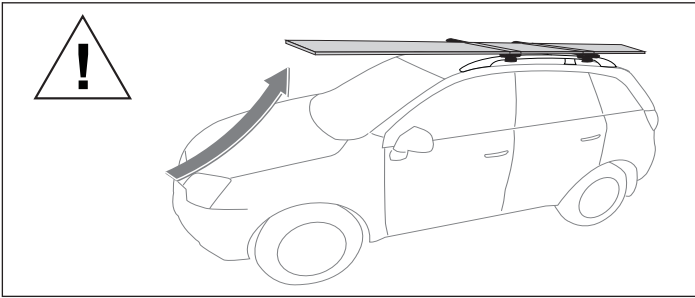
Document No: R1043  
 Prepared By: Kayle Everett  
 Authorised By: Chris Murty

Fit Time: 30min  
 Issue No: 03  
 Issue Date: 11/04/2018

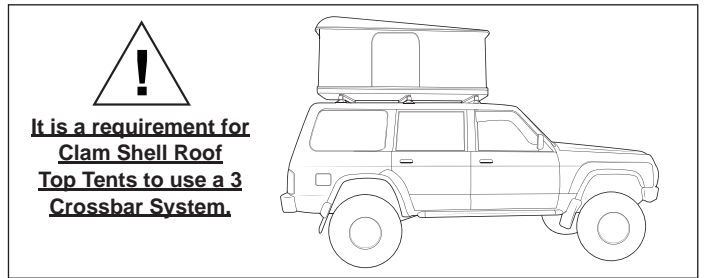
These instructions remain the property of Rhino-Rack Australia Pty. Ltd. and may not be used or changed for any other purpose than intended.



# RCP-JB Short Fixed Mount

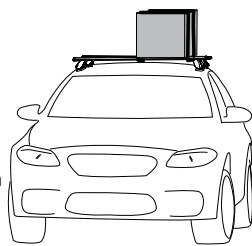


**Ensure Ladder is well supported on the ground to help support tent. Take extreme caution when climbing heights above 1.2m/4ft.**

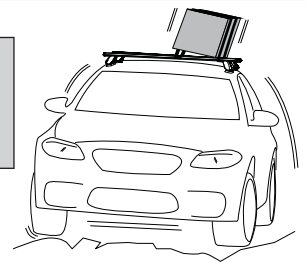


**It is a requirement for Clam Shell Roof Top Tents to use a 3 Crossbar System.**

When these roof racks are to be used on a vehicle that is driven off sealed roads, the manufacturer maximum roof load rating (to be found in the vehicles User Manual) should be **divided by 1.5**. Do not forget to subtract the complete crossbar system weight from your maximum carrying capacity.

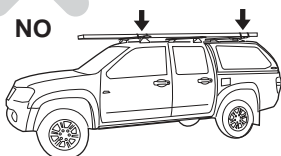


$$2 \text{ bars } 70\text{kg} \text{ (154lbs) load rating (Urban road)} = 2 \text{ bars } 46\text{kg} \text{ (101lbs) load rating (Off road)}$$

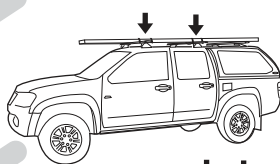


## WARNING! Important Load Carrying Instructions

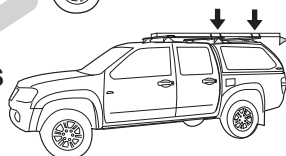
With utility vehicles, the cabin and the canopy move independently. Roof racks and vehicle can be damaged if the item transported is rigidly fixed at points on both the cabin and canopy. Instead, rigidly fix to either the cabin roof racks or the canopy roof racks.



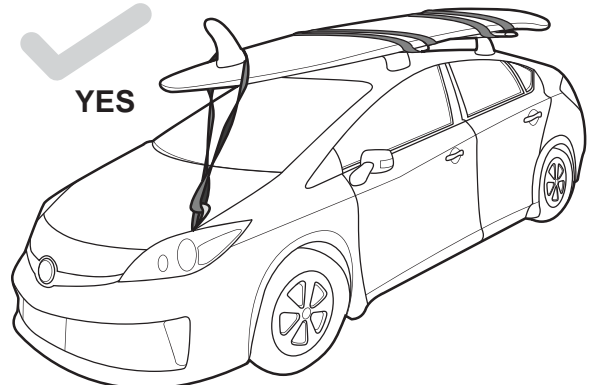
YES



YES



Paddle/ Surfboards should be fixed to the front of the vehicle.





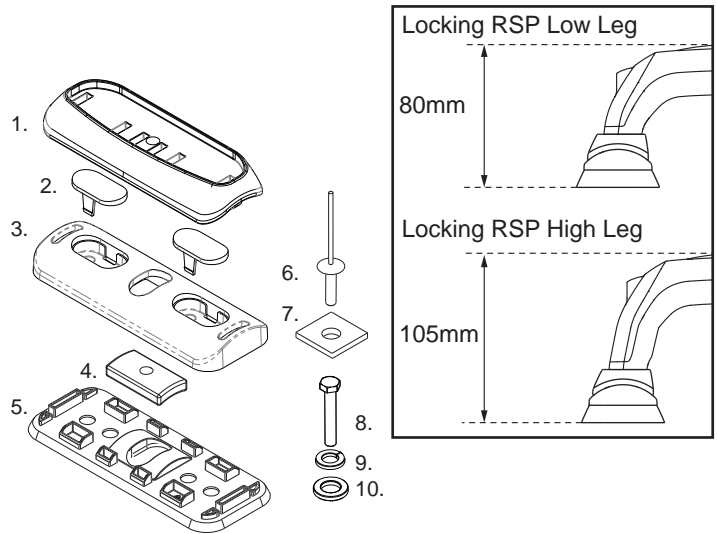
# RCP-JB Short Fixed Mount

## Parts List

| Item | Components                       | Qty | Part No. |
|------|----------------------------------|-----|----------|
| 1    | Short Fixed Mount Rotation Block | 4   | M835     |
| 2    | Short Fixed Mount Base Cover     | 8   | M836     |
| 3    | Short Fixed Mount Base           | 4   | M834     |
| 4    | M6 Curved Cast Nut               | 4   | N060     |
| 5    | Short Fixed Mount Flat Rubber    | 4   | M837     |
| 6    | Rivet                            | 16  | H008     |
| 7    | Butyl Patch                      | 16  | CA1397   |
| 8    | M6 x 25mm Hex Bolt               | 4   | B067     |
| 9    | M6 Spring Washer                 | 4   | W004     |
| 10   | M6 x 16mm Flat Washer            | 4   | W031     |
| 11   | Instructions                     | 1   | R1043    |

### Tools Required:

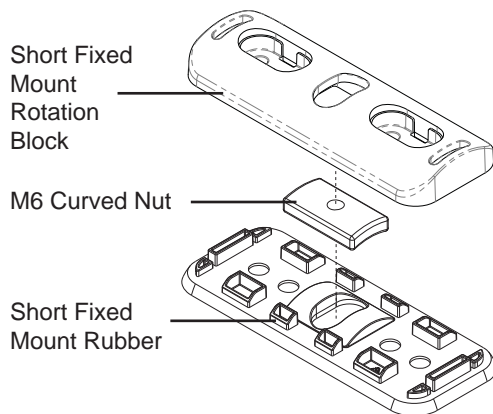
- |                    |                            |                   |
|--------------------|----------------------------|-------------------|
| 1. Measuring Tape. | 5. Cold Galvanising Paint. | 9. Marker.        |
| 2. Drill.          | 6. Cotton Buds.            | 10. Masking Tape. |
| 3. 5mm Drill Bit.  | 7. Pneumatic Rivet Gun.    |                   |
| 4. Drill Stop.     | 8. Hole Punch.             |                   |



**Note:** Instructions to be used as guide only. Be sure to carefully plan Mount positions before you start installation. Mounts should be as close to the sides of the vehicle as possible, so as to use the strongest part of the roof.

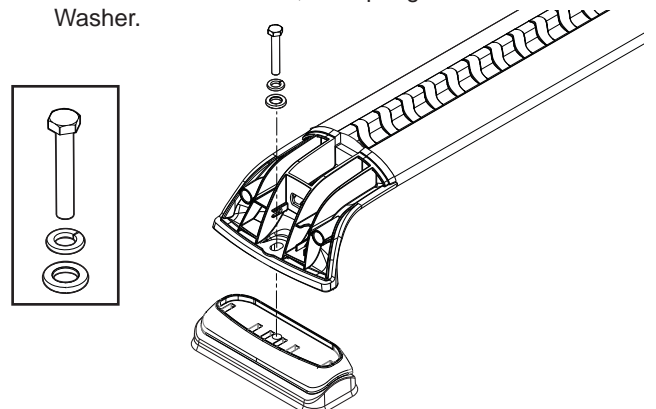
## Instructions

**1** Assemble the Short Mounts as shown.

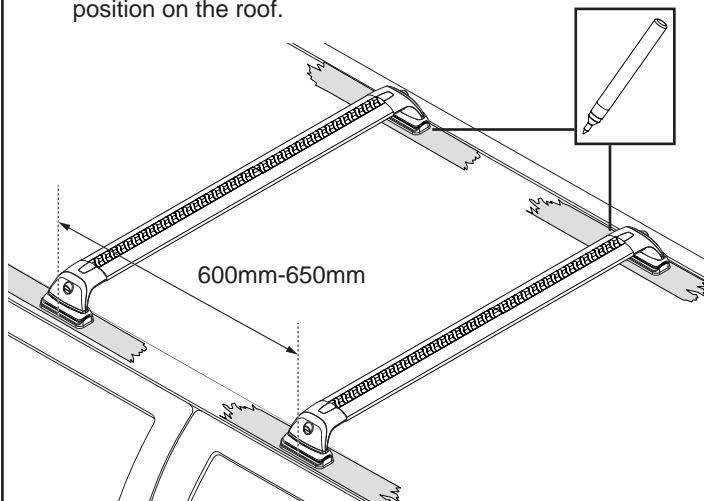


**Note: It is imperative to install the Curved Nut. Be sure to install before moving forward.**

**2** Fix the assembled Mounts to the RSP Fitment Bar using an M6x25mm Hex Bolt, M6 Spring Washer and Flat Washer.

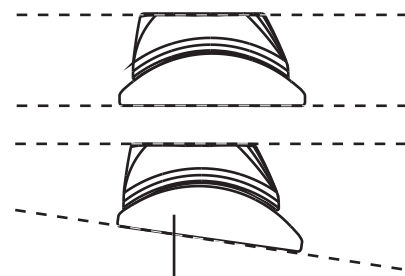


**3** Mask the approximate working area on the roof with Tape. Use the RSP Fitment Bar to attain the Crossbar size and position (refer to instruction RSP Fitment Bar - R1046). Pushing the Mounts closer to the sides of the vehicle is advised as these sections are the strongest. Avoid positioning closer to the centre of the roof as these areas are weak and will depress under load. Use a Marker to outline the Mounts onto the Tape. Load rating will vary according to strength and position on the roof.



When you have selected the intended position for the Mounts, be sure the rotation block sits level. Failure to do so will may impair Crossbar installation.

Side View:

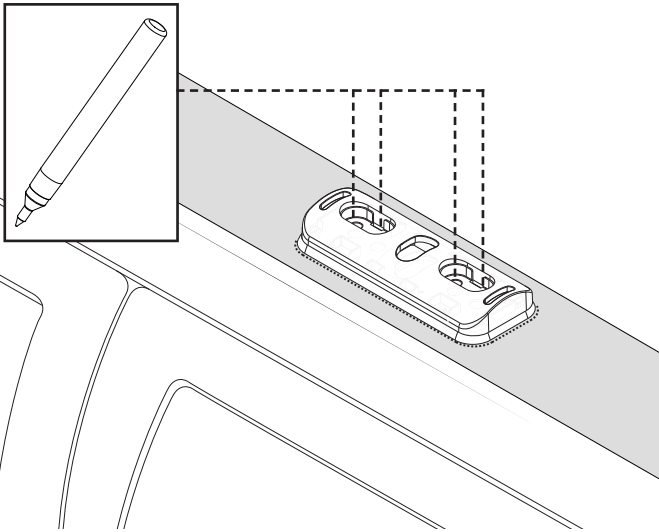


The Mounts can be placed on a slight angle as long as the Rotation Block stays level.

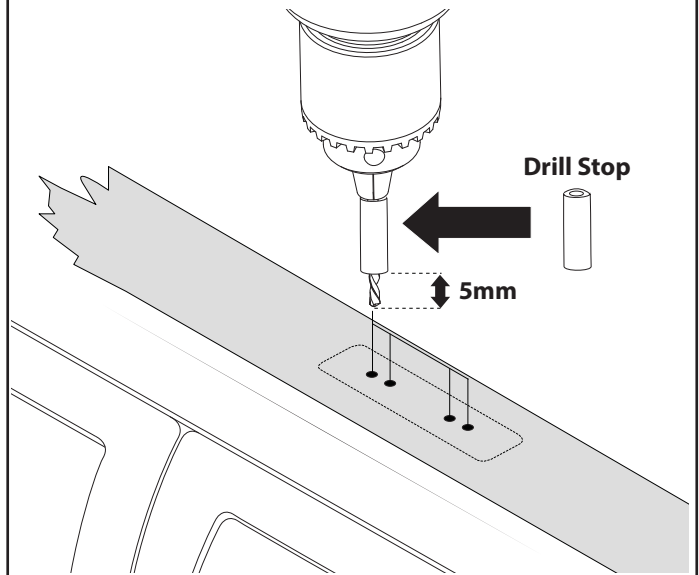


# RCP-JB Short Fixed Mount

**4** Remove the Mounts from the Crossbar and place onto the references made previous. Mark each of the Rivet Holes on the Tape.

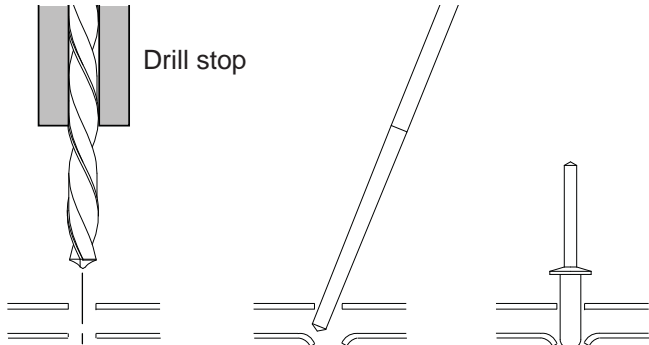


**5** Remove the Mounts. Drill through the marked Rivet Holes with a 5mm Drill Bit. Use a Drill Stop set to 5mm.

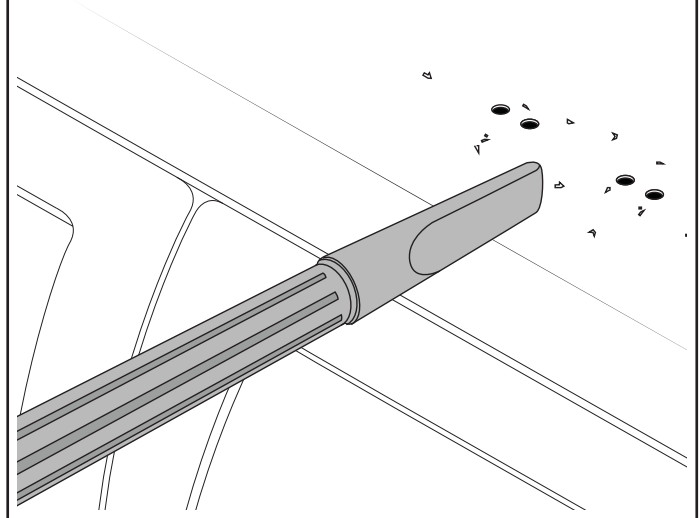


**6** A rivet must be located into each hole and checked that it fully penetrates. If a second skin is encountered, drill second skin then with a centre punch counter sink the hole to allow clearance for rivet.

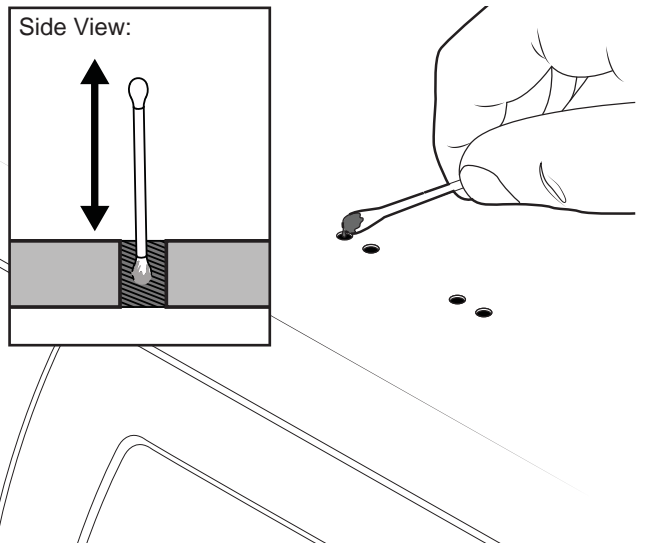
Note: Failing to do this correctly may result in vehicle roof damage due to rivet catching on second skin.



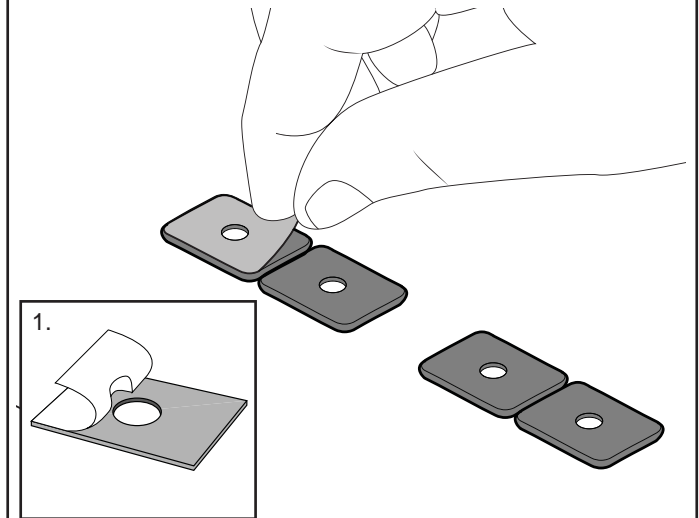
**7** Remove the Masking Tape, vacuum any swarf from the roof.



**8** Using Cold Galvanising Paint, coat all drilled holes and any exposed body work. Allow 15min to dry.



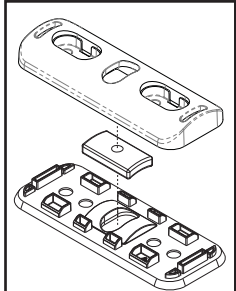
**9** Peel off the one side of backing tape on the Butyl Patches provided. Place these carefully over all holes drilled. Remove the top layer of backing tape as shown.



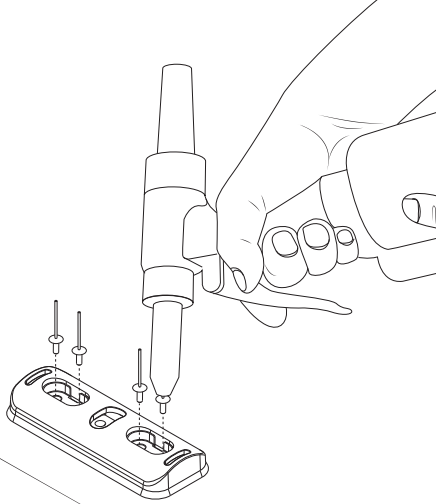


## RCP-JB Short Fixed Mount

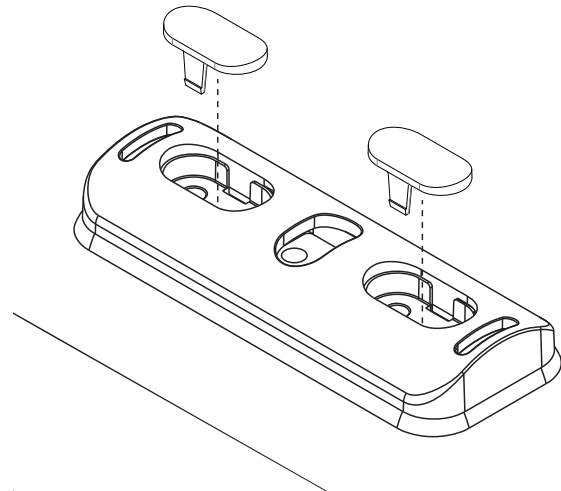
- 10** Press the Mount Assemblies into position over the drilled holes. Using a Pneumatic Rivet Gun, fix the Mounts in place with Rivets provided. Be sure Brackets are aligned correctly.



Warning: The Curved Nut must be installed before riveting.

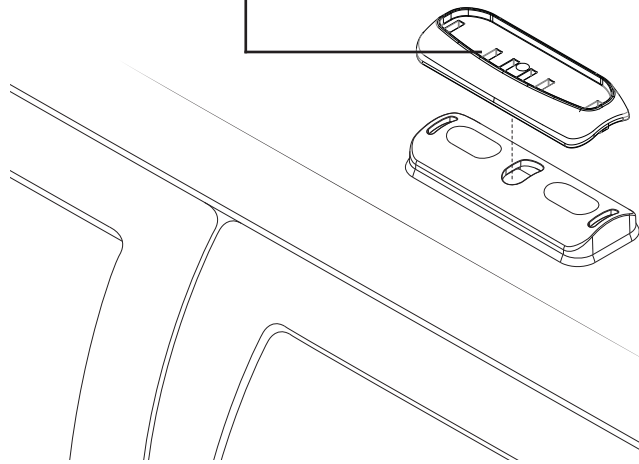


- 11** Insert Covers into the top of the installed Mounts as shown.



- 12** Place the Rotation Block onto the installed Mounts.

Leg inserts face outside of vehicle.



- 13** Install the Legs and Crossbars as per corresponding instructions. Replace M6 Cap Screw from Leg kit with M6 x 25mm Hex Screw provided in this kit.

