

# INSTALLATION INSTRUCTIONS FOR

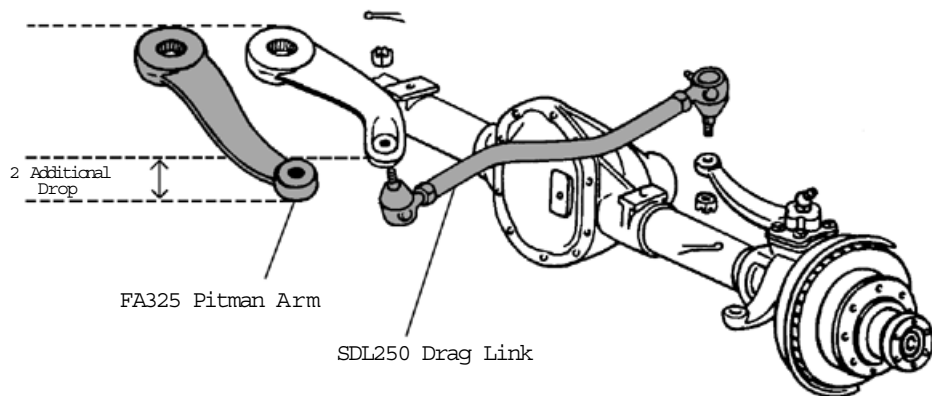


Adjustable Drag Link #SDL250  
 Drop Pitman Arm #FA325  
 Drop Pitman Arm #SA40

Application Information			
Year	Vehicle Model	Lift	Required Product
77 1/2-79	F250 4WD Low Boy	2-3	FA325 Pitman Arm
		3-4	SDL250 Drag Link
		5-7	Both - FA325 Pitman Arm and SDL250 Drag Link

The amount of lift stated above is measured at the center of the front axle.

Read these instructions thoroughly and completely before beginning the installation. Refer to the diagram below to aid in the removal and installation of these products. If you are unsure of which product is needed or recommended for your vehicle or you have any questions, call our technical assistance line at 318-388-0816.



NOTE: This diagram is shown for models equipped with Dana 60 front axles. On Dana 44 axles, the #SDL250 drag link installs from the bottom of steering arm on axle housing instead of the top as shown in the diagram at left.

## Instructions for SDL250 Adjustable Drag Link

1. Place a jack under left front (driver's side) of vehicle, and jack up until tire is clear of the ground. Place jack stand under axle supporting it securely, and remove left front tire.
2. Starting at the pitman arm end of the drag link, remove cotter pin and loosen the nut (Do Not remove nut at this time). Now on the steering arm end of drag link, follow the same procedure.
3. If you have a pickle fork tool proceed to remove drag link and skip to step 6. Else continue through steps 4 and 5.
4. Using a ball peen hammer, strike the side of the pitman arm on the end by the drag link until drag link drops down. (If you have a second hammer, you may find it helpful to hold it on the opposite side of the pitman arm serving as a back up.)

5. Move to the other end of drag link at the steering arm. Using the ball peen hammer, strike the side of steering arm on the end by the drag link until drag link loosens up. At this time, remove the nut from each end of the drag link. (Note: if also purchased the new pitman arm, follow the installation instructions below for part #FA325 at this time.)
6. Install the drag link in the end of pitman arm and steering arm. Put new nut onto the drag link and tighten, but Do Not insert cotter pin yet.
7. Install the tire, jack up vehicle enough to remove jack stand, remove jack stand and lower vehicle to ground. Get inside vehicle and be sure steering wheel cross bars are aligned properly (as if driving straight forward). If not, loosen the jam nuts on the drag link and adjust until steering is centered.

NOTE: Be sure that there is NOT more than 3 to 6 threads visible past the jam nut.

8. Tighten all nuts securely (tie rod end nuts and jam nuts), and install the new cotter pins into tie rod end studs. Do not forget to grease tie rod ends.
9. Recheck all nuts and installation after driving approximately 50 miles, again after the next 100 miles. Continue to check the drag link periodically for normal wear and grease regularly.

#### Instructions for FA325 Pitman Arm

1. Remove cotter pin and loosen nut at drag link end of pitman arm (Do Not remove at this time). Using a ball peen hammer, strike the side of the pitman arm on the end by the drag link until drag link drops down. (If you have a second hammer, you may find it helpful to hold it on the opposite side of the pitman arm serving as a back up.) Now remove nut and lower drag link down out of the way.
2. Remove the nut and lock washer from the bottom of the output shaft. With a pitman arm puller, pull pitman arm off vehicle and replace with the new one. Reinstall lockwasher and nut, then tighten securely.
3. Reinstall the drag link in the end of pitman arm. Put nut back on tie rod end, then tighten securely and reinstall cotter pin.
4. Recheck installation and all nuts after driving approximately 50 miles, again after the next 100 miles. Continue to periodically check the nuts on the pitman arm and drag link.

NOTE: Before driving, double check all nuts that were loosened to be sure they are tight and that the cotter pins are installed.

**SA40** - International Scout II models. (This new pitman arm is approximately 2" shorter in length than the original arm, and drops approximately 2" lower.)

#### **To install the new pitman arm:**

1. Remove the tie rod end from the pitman arm and lower tie rod down.
2. At the upper end of pitman arm, remove the nut and lock washer from the output shaft of the steering box.
3. With a puller, remove the old pitman arm and install the new arm, being sure to install the lock washer and nut.
4. Install the tie rod back onto lower end of the pitman arm. Be sure to install the cotter pin after tightening the nut.
5. Check and tighten nuts periodically.

(REV. 03 10/93)

