

# PITMAN ARM INSTALLATION INSTRUCTIONS

(Find proper application listed below)



## Figure 1

**FA400/FA600** - fits FORD 1980-96 F150/Bronco, 83-97 Ranger/Bronco II, 90-94 Explorer, 80-98 F250/F350, and 99 F250/F350 Super Duties through 2/99. Power steering required.

**FA499/FA699** - fits FORD 99 F250/F350 Super Duty from 3/99 and newer. Power steering required. See Figure 4 for proper assembly diagram.

## Figure 2

**JA150** - fits 76-86 CJ5 and CJ7 with manual steering.

**JA250** - fits 76-86 CJ5 and CJ7 with power steering.

**JA350** - fits 74-86 Cherokee Chief, Grand Wagoneer, Truck series 20,40,J10,J20 4WD with ps.

**JA500** - fits all Jeep MJ, XJ, ZJ with a minimum of 6" lift and power steering.

**JA552** - fits 72-75 CJ with 1.5-2.5" lift and power steering.

**JA550** - fits 72-75 CJ with 3-4" lift and power steering.

**JA652** - fits 72-75 CJ with 1.5-2.5" lift and manual steering.

**JA650** - fits 72-75 CJ with 3-4" lift and manual steering.

**JA750** - fits 87-96 Wrangler YJ, and 97-up Wrangler TJ with 3-4" lift models with power steering.

**JA770** - fits 07-up Jeep Wrangler JK with 3.5-6" lift models with power steering.

**JA850** - fits 87-96 Wrangler YJ, and 97-up Wrangler TJ with 3-4" lift models with manual steering.

### To install the new pitman arm:

1. Remove the tie rod end from the pitman arm and lower tie rod down.
2. At the upper end of pitman arm, remove the nut and lock washer from the output shaft of the steering box.
3. With a puller, remove the old pitman arm and install the new arm, being sure to install the lock washer and nut.
4. Install the tie rod back onto lower end of the pitman arm. Be sure to install the cotter pin after tightening the nut.
5. Check and retighten nuts periodically.

Figure 1

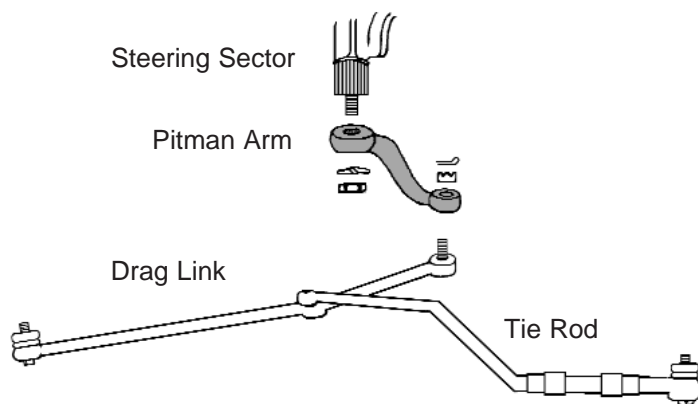
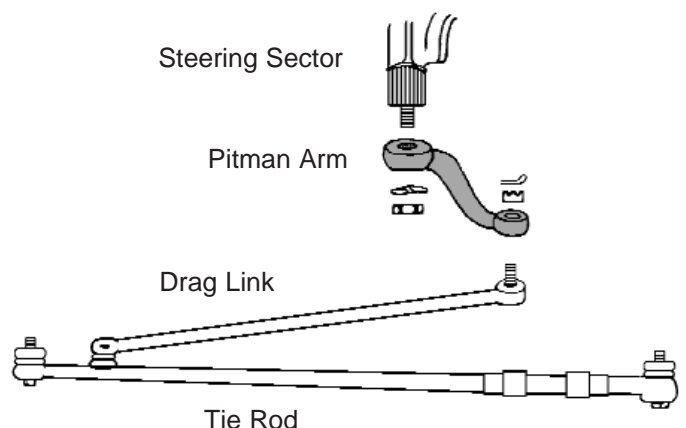


Figure 2



## Figure 3

**FA300 / FA500** - fits 1976-79 Ford F100 and F150 with power steering, 78-79 Bronco with power steering, and 66-77 Bronco (with or without power steering)

**NOTE:** This pitman arm (FA300) is a direct factory replacement. However, on models equipped with “scissor style” steering (see **Figure 3**), found on the 1976-77 F100, F150 and old model Bronco, the drag link and tie rod assembly will require changing to the “straight style” in order to install a drop pitman arm.

### To install the new pitman arm:

1. Remove the tie rod end from the pitman arm and lower tie rod down.
2. At the upper end of pitman arm, remove the nut and lock washer from the output shaft of the steering box.
3. With a puller, remove the old pitman arm and install the new arm, being sure to install the lock washer and nut.
4. Install the tie rod back onto lower end of the pitman arm. Be sure to install the cotter pin after tightening the nut. (If you changed the style of steering rods, do not forget to reset the toe-in and toe-out and tighten all of the tie rod assembly.)
5. Check and retighten periodically.

