



SOFT ROLL UP TRUCK BED COVER

P/N 1118626 Rev B

WARRANTY

Our company warrants this product to be free of defects in material and workmanship at the time of purchase by the original retail consumer. We disclaim any other warranties, express or implied, including the warranty of fitness for a particular purpose or an intended use. If the product is found to be defective, we may replace or repair the product at our option, when the product is returned prepaid, with the proof of purchase. Alteration to, improper installation, or misuse of this product voids the warranty. Our company's liability is limited to repair or replacement of products found to be defective, and specifically excludes liability for any incidental or consequential loss or damage.

ATTENTION!

1. Do not place objects on or against cover or framework.
2. Do not tie cargo to cover framework.
3. Never allow children or pets to occupy pickup box while cover is closed.
4. Cover is not airtight. Special care is required to keep cargo clean and dry.
5. Fabric cover won't prevent theft of contents inside truck box.
6. Cover must be rolled fully open and secured with retainer straps when towing vehicle backwards.
7. Opened cover must be secured with both retainer straps when driving vehicle.
8. Cover must NEVER be rolled partially open while operating vehicle.
9. Cover must be rolled fully open and secured with retainer straps if any part of the truck bed cover is worn or damaged.

OWNER/USER RESPONSIBILITIES

It is the responsibility of the owner/user to read this manual and comply with the operating procedures. The owner/user is also responsible for inspecting their truck bed cover system, and for having parts repaired or replaced when worn or damaged.

Failure to follow safety instructions and warning labels could result in failure of your cover system and/or personal injury.

MESSAGES TO INSTALLER

- Always wear safety glasses and/or other necessary protective equipment when installing your truck bed cover system.
- These instructions are complete for most pickup models. Additional instructions are included, if required for your pickup. Please read entire manual before installing your truck bed cover system.

COVER MAINTENANCE

Vinyl cover can be hand washed with mild soap and water or cleaned in a car wash. Thoroughly rinse cover to remove any soap residue. Cover can be treated with any vinyl protectant made for truck bed covers. **Never use any vinyl conditioners (ie, Armor All®) that contain silicone, petroleum, or citrus based products on your truck bed cover as they may crack and shrink the vinyl.**

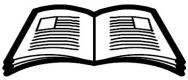
DIRECT ALL WARRANTY CLAIMS TO:

Before returning any item please call 1-800-222-7023 or email: support@roughcountry.com to receive instructions and Return Goods Authorization (RGA) number. Please have your order number and full contact information available, along with the reason for your return.

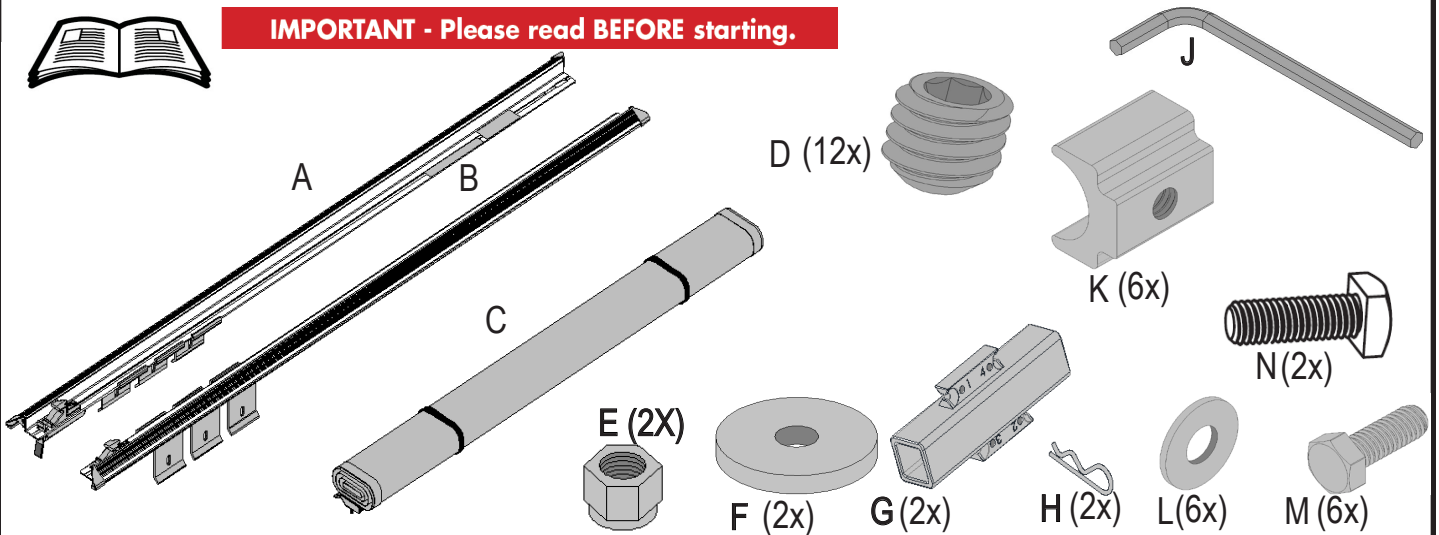
WARNING

Tighten clamps securely on side rails before driving vehicle, to prevent cover from blowing off.

Components



IMPORTANT - Please read BEFORE starting.



Tools Required



3/8 Ratchet

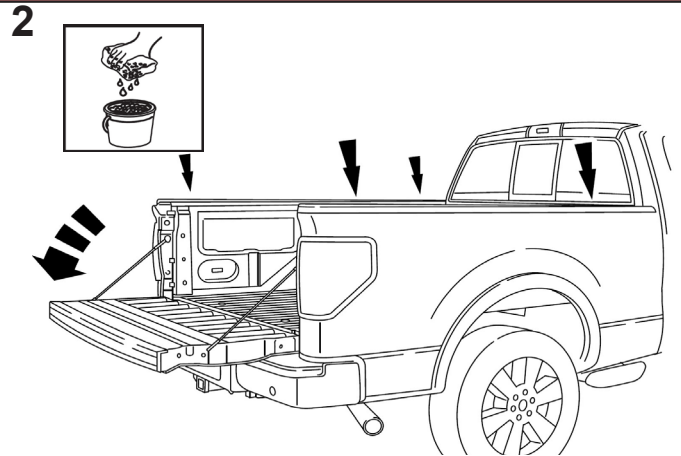
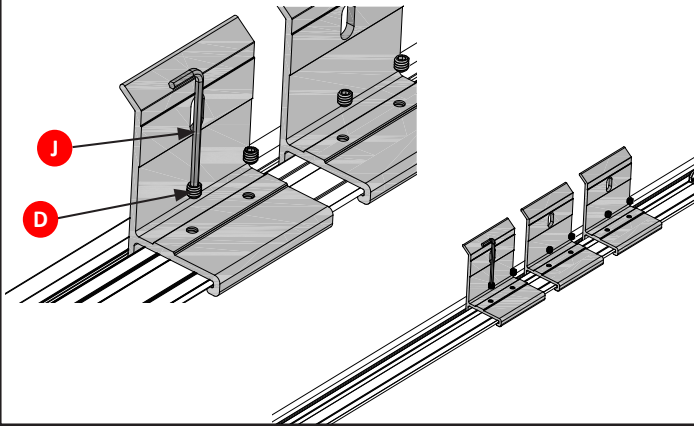


9/16" SAE Socket

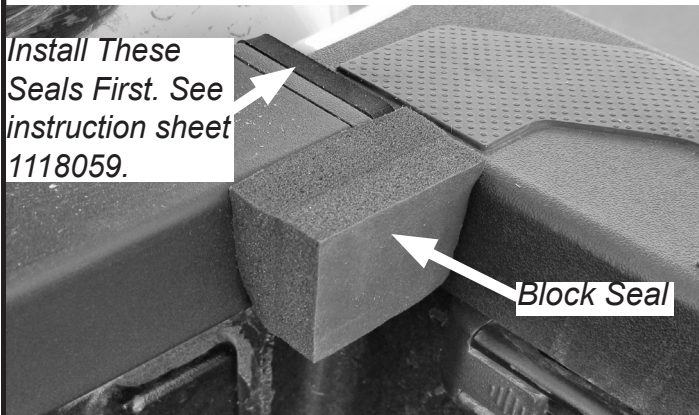


1/2" SAE Socket

- 1** Insert set screws, Item (D) into both holes on each bracket as shown below. Leave set screws loose at this time.



- 3** Peel and stick block seal to front factory cab header rail in each corner.



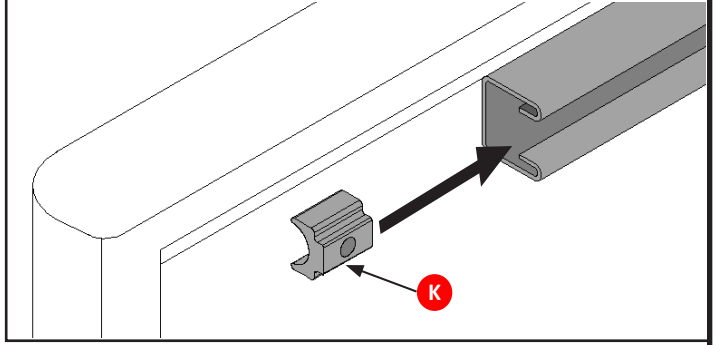
- 4** Remove cargo rail end plugs: Begin by pushing in on the end plug tab and at the same time push the end plug out of the rail.



5 Remove tie downs: If tie downs are installed in the cargo rail, remove them for now.

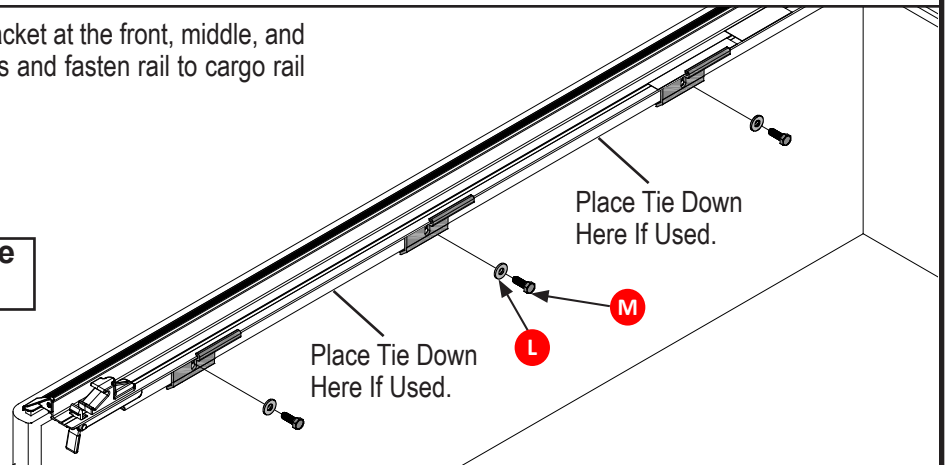


6 Insert three nuts into driver and passenger cargo rail. If Cargo Tie downs are going to be used alternate every other, starting with the Nut.

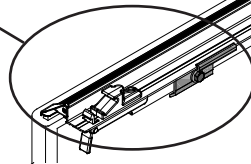
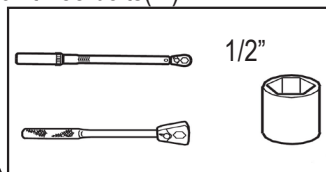
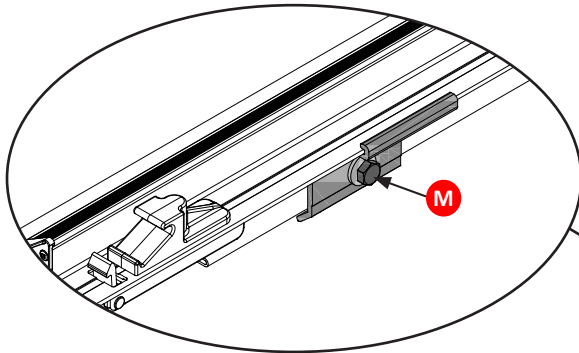


7 Position brackets on rail so there is a bracket at the front, middle, and rear of cargo Rail. Align Nuts(K) with brackets and fasten rail to cargo rail using bolts(M) and washers(L) as shown.

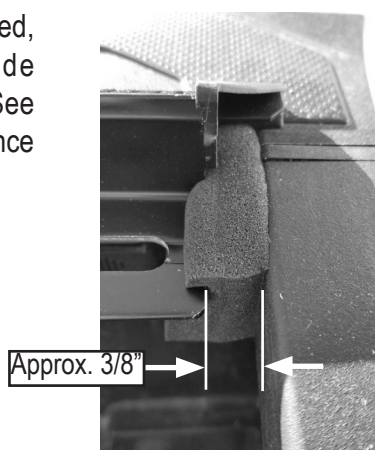
Leave all fastener hardware loose at this time.



8 Apply pressure down on the side rail and tighten all three bolts(M).



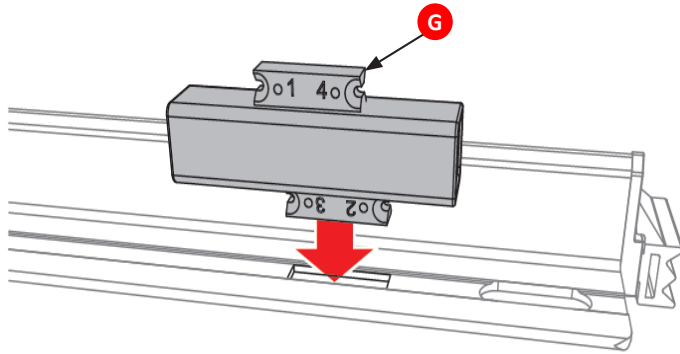
9 With the tailgate closed, evenly position both side rails from front to back. See illustration for correct distance from bulkhead.



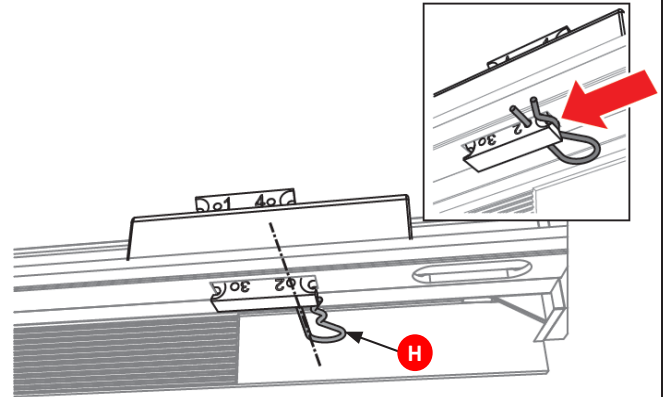
10 Once rails have been positioned tighten set screws (inserted in step 1) in brackets to secure rails in place.



11 To install the tension blocks (G), insert the blocks labeled with holes 2 & 3 into the rectangle cut out on the side rails (A & B). The upper block, labeled with hole 4, will be positioned on the top towards the cab. Make sure the tension blocks are pushed up against the front header.

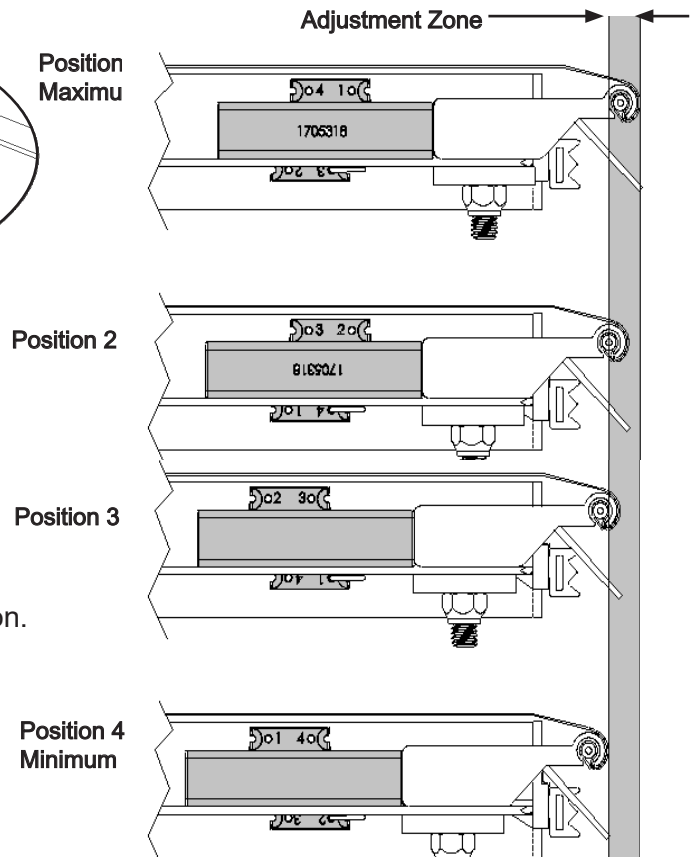
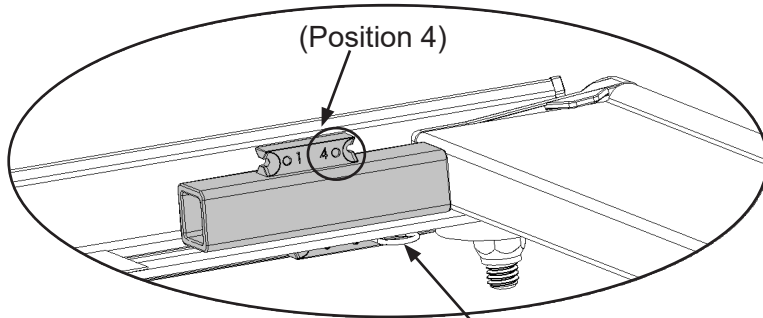


12 Secure the tension blocks to the side rails (A & B) by inserting the hitch pins (H) into hole number 2 on the underside of the side rails. If your covers tension is too tight or too loose simply remove the tension blocks and reposition. See chart on page 4 to fine tune your tension blocks once the cover is fully installed.



SETTING TENSION ADJUSTMENT BLOCKS

13 Cover tension is controlled by a four position adjustable block. To start, place blocks in position shown below, with 4 on top and closest to front header. Secure blocks with hitch pin in #2 hole, this is the least amount of tension.

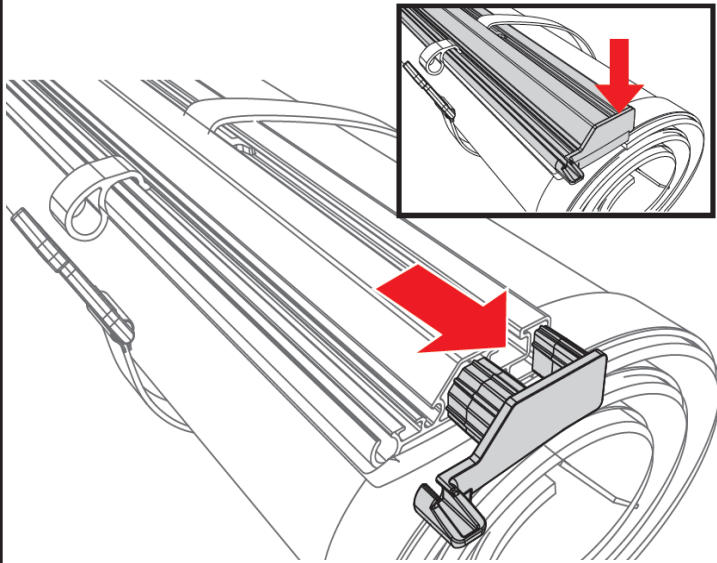


Setting cover tension

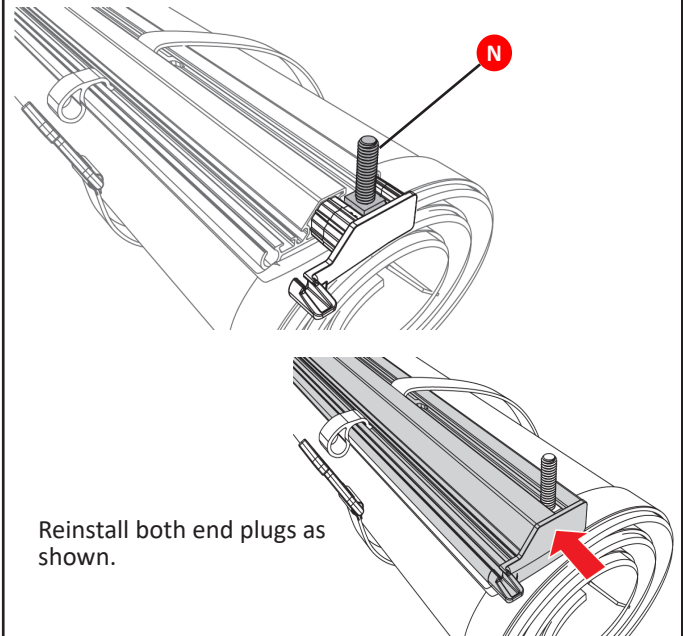
1. Set cover tension during warmest part of the day.
2. Roll cover open to adjustable block.
3. Pull Hitch pin and rotate blocks to the desired position. Replace Hitch pin. **(Driver and passenger blocks must always be in the same position.)**
4. Close cover and re-check adjustment. Repeat until satisfactory tension has been achieved.

INSTALLING SQUARE HEAD ATTACHMENT SCREWS INTO THE COVER ASSEMBLY

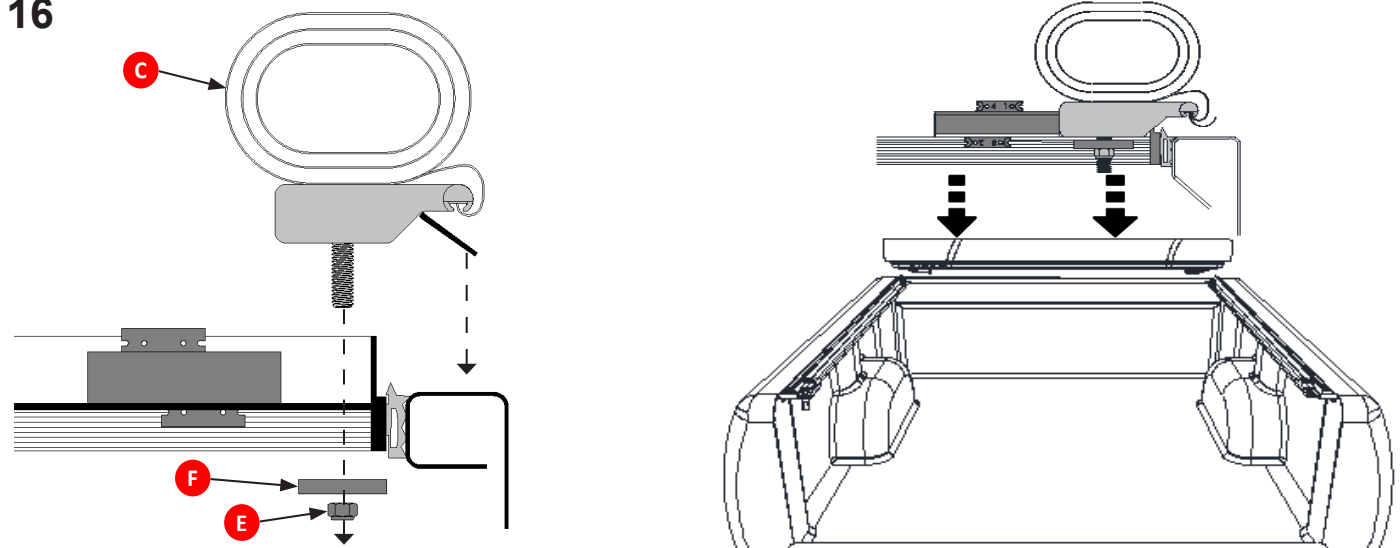
- 14** On the cover assembly (C), identify the driver and passenger front header end plugs. Remove both plugs by pulling them outward as shown below.



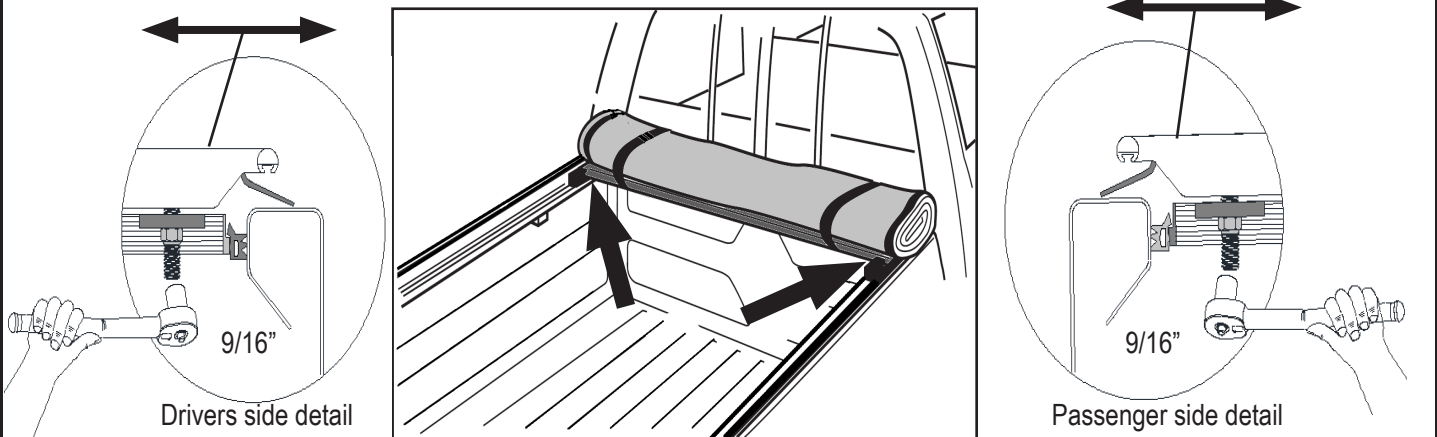
- 15** Install the bolts (N) by sliding them into the header as shown below. Do this on both driver and passenger sides.



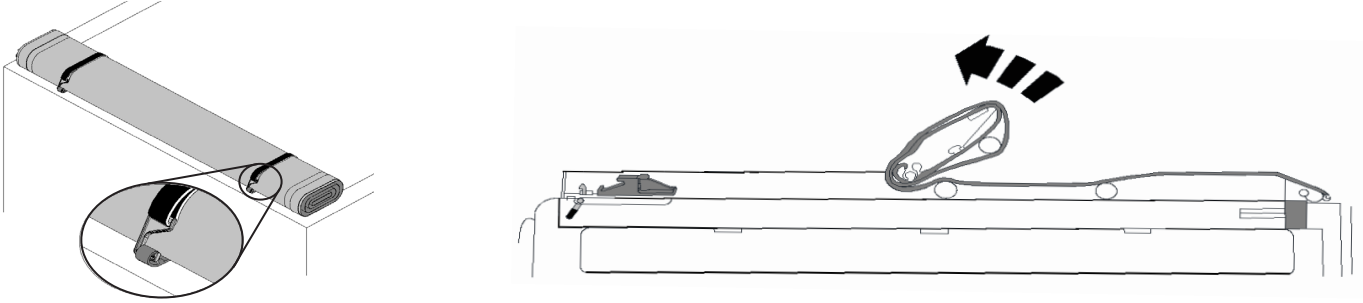
16



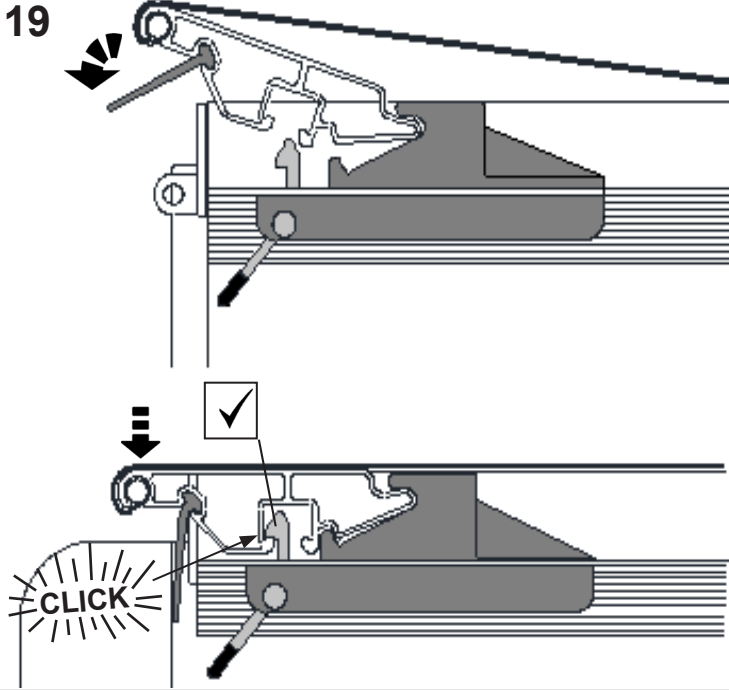
- 17** Thread nut onto bolt, enough to be tight but still able to move freely. DO NOT over tighten nut and plastic washer connection.



18 Unhook and unroll cover to the tailgate.

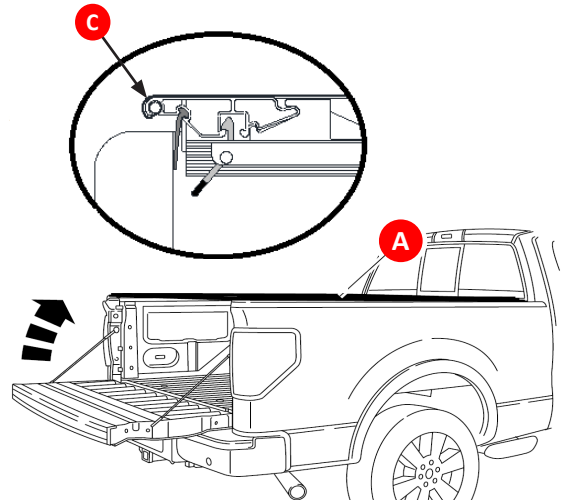


19



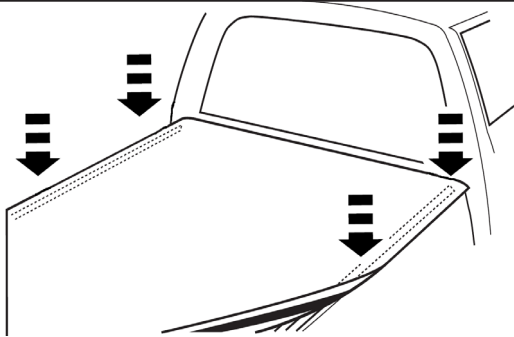
20

NOTE: Preferred method to close cover. Roll cover closed then close tailgate. Seal will be inside the tailgate. If tailgate has a key lock, truck bed cover is secured until tailgate is unlocked and opened.



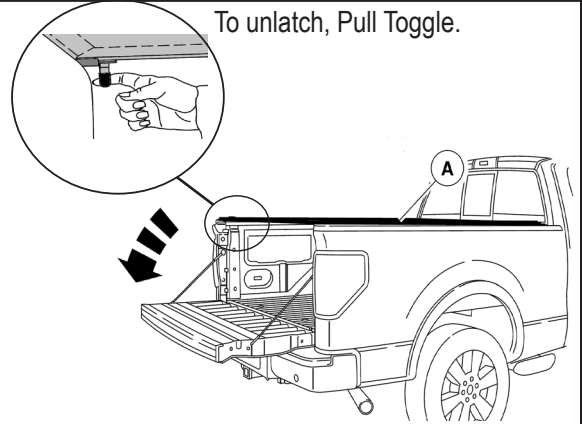
21

NOTE: Secure hook fastener and loop fastener along entire length of both side rails before driving vehicle. This will prevent wind lifting the cover and causing damage.

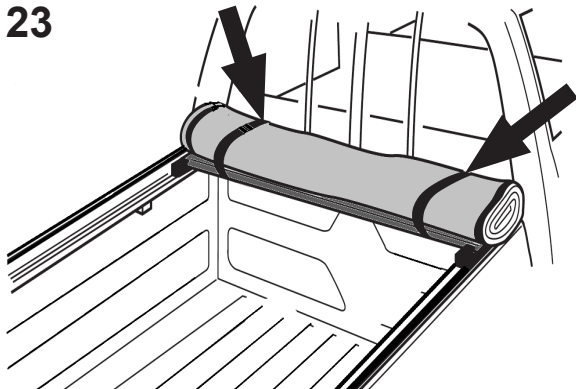


22

To unlatch, Pull Toggle.



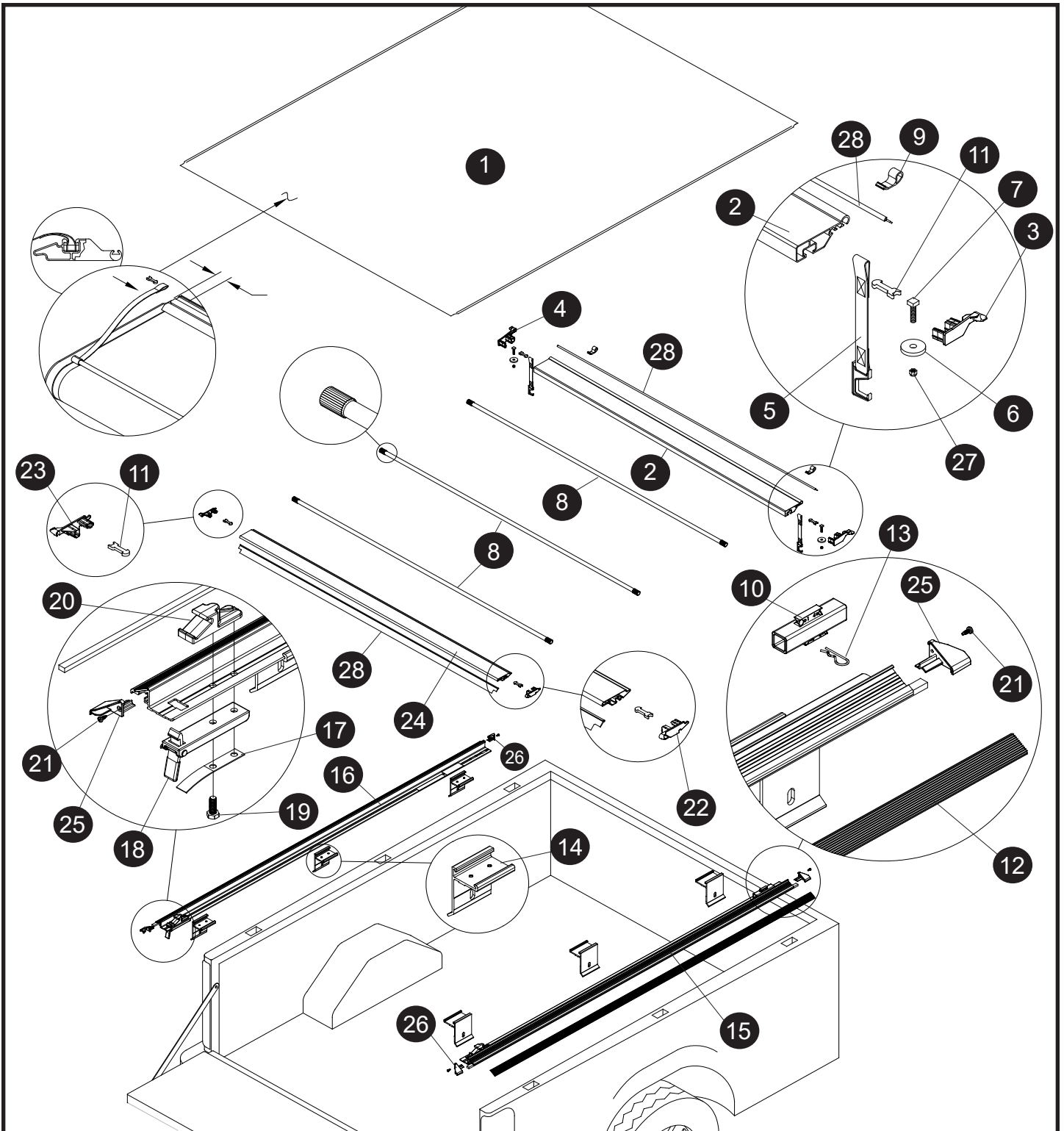
23



CAUTION

ROLL COVER TIGHT AND SECURE BOTH RETAINER STRAPS. **DO NOT** STOW COVER AGAINST CAB WINDOW.

To stow cover open roll cover to the front. Secure both hooks **DO NOT** stow cover against cab window.



REPLACEMENT PARTS

1	*	Replacement Cover	12	*	Hook Strip	23	1705404	Rear Header End Plug LH
2	*	Front Header	13	1703332	Hitch Pin	24	*	Rear Header
3	1705310	Front Header End Plug RH	14	1118562	Bracket Assembly (1)	25	1706400	Side Rail End Plug LH
4	1705311	Front Header End Plug LH	15	*	Side Rail, Passenger's Side	26	1706401	Side Rail End Plug RH
5	*	Retainer Strap	16	*	Side Rail, Driver's Side	27	1701580	Hex Nut Full Nylon Lock
6	1115745	Plastic Washer	17	1114773	Flat Spring	28	*	Extruded Header Seal
7	1703455	Square Head Cap Screw	18	1704213	Latch Assembled	29	1706424	Four Corner Weather Seal Pack
8	*	Bow Assembly	19	1703455	Cap Screw			
9	1705192	Retainer Loop	20	1705336	Header Stop			
10	1705318	Tension Adjustment Block	21	1705629	Self Drill Screw			
11	1705364	Header Insert Retainer Clip	22	1705405	Rear Header End Plug RH			

* Please specify length or make and model of vehicle.