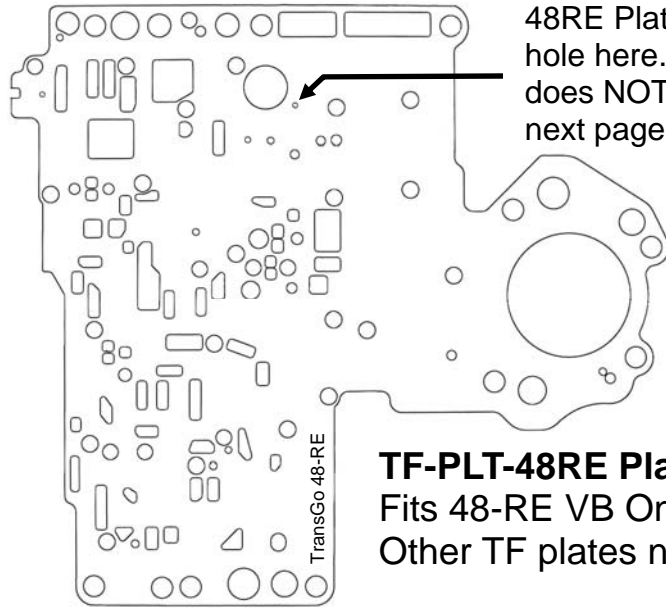
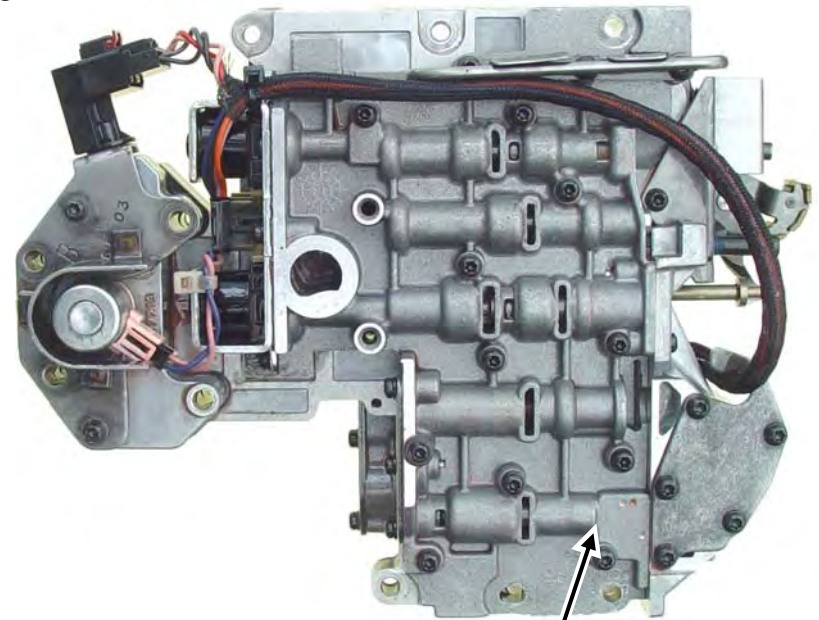


# TF-PLT-48RE Plate 2003-2006 HO Diesel & V10



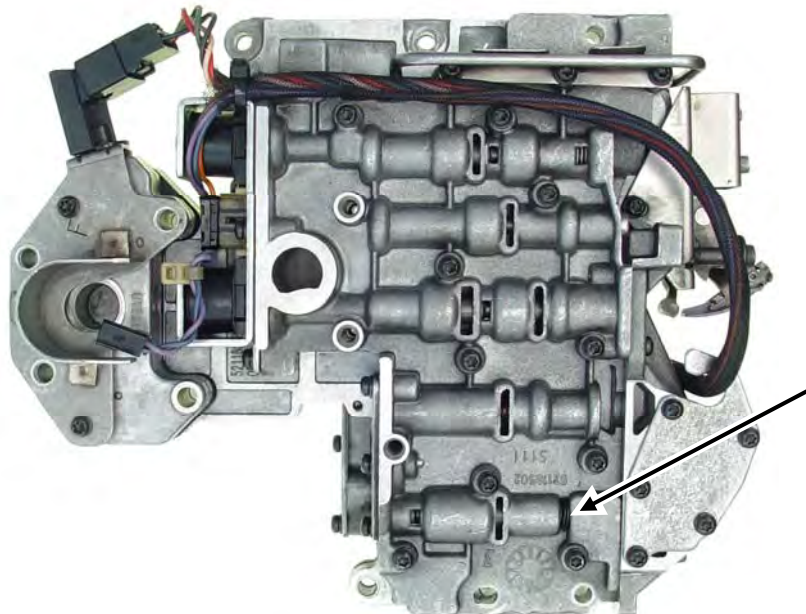
48RE Plates have this balance hole here. If your original plate does NOT have this hole see next page for plate usage.

**TF-PLT-48RE Plate**  
Fits 48-RE VB Only  
Other TF plates next Page.



48RE VB 2003-06  
No Vent Here

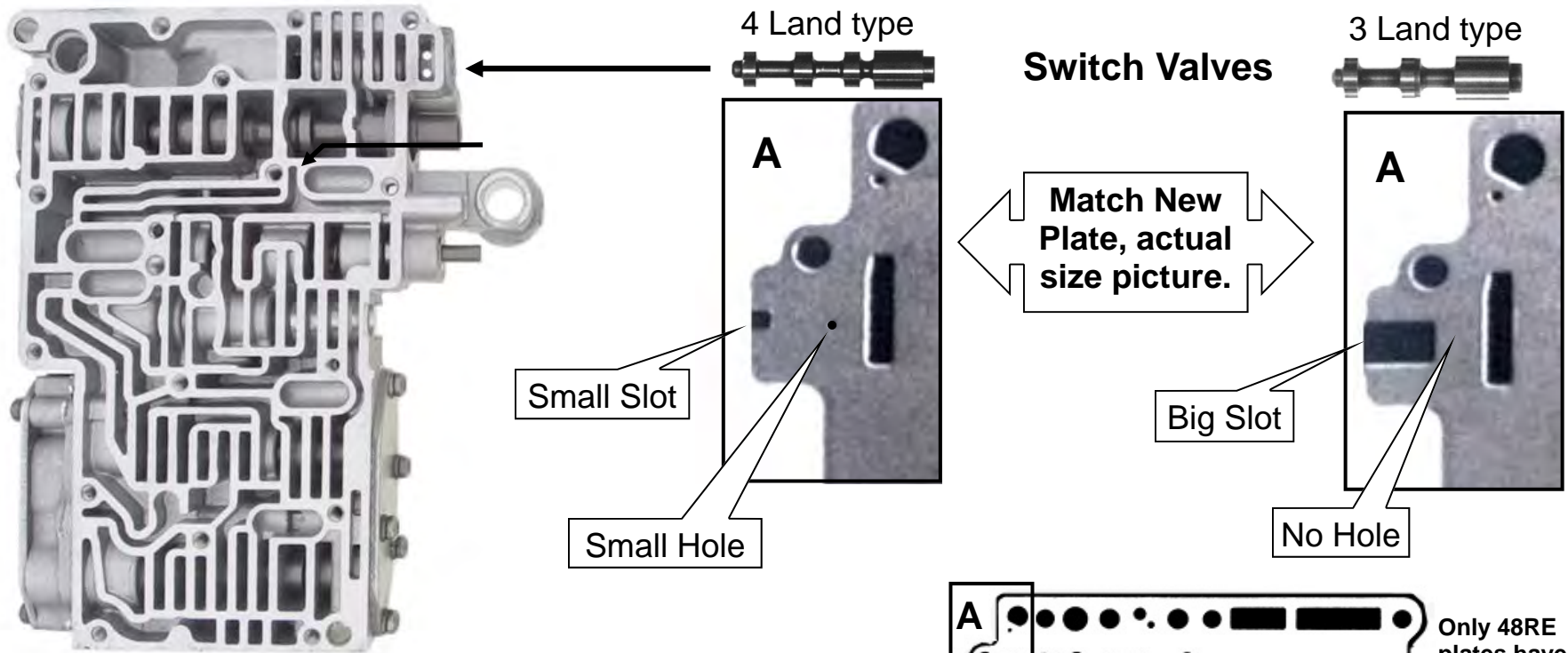
**Watch out for hybrid valve bodies! Always check plate for balance hole to confirm it's a 48RE!**



All others:  
Have vent here.



**OVER**



**Listen up:** Valve bodies are often swapped and some year models used both types. If you don't like waiting for parts start with 5 plates. One of each and an extra 95B.

**TF-PLT-94B:** 1988-94 Small case 500, 42RH/RE, 44RH/RE WITHOUT lockup boost tube.

**TF-PLT-95S:** Small case 500, 42RH and 44RE.

**TF-PLT-94S:** 1988-97 Big case 518-618, 46 and 47 RH & RE WITHOUT lockup boost tube.

**TF-PLT-95B:** 1993-02 Big case WITH lockup boost tube.

