



## 2013+ SUBARU BRZ/ TOYOTA FR-S MUD FLAP INSTALLATION INSTRUCTIONS

**PLEASE REVIEW THESE INSTRUCTIONS IN ITS ENTIRETY BEFORE ATTEMPTING INSTALLATION**

For high resolution color images of these instructions, please visit <http://www.rallyarmor.com>

To protect your Rally Armor mud flaps, **care must be taken during parking and reversing.** Rally Armor always recommends professional installation. Check wheel clearances after installation, especially on vehicles outfitted with non-OEM offset wheels and suspensions. Adjust accordingly. ***Rally Armor is not responsible for damage or loss of installed mud flaps.***



**ALWAYS TEST COMPATIBILITY WITH YOUR SPECIFIC WHEEL, TIRE AND SUSPENSION COMBINATION**





**ALWAYS USE CAUTION DURING PARKING/REVERSAL SCENARIOS**



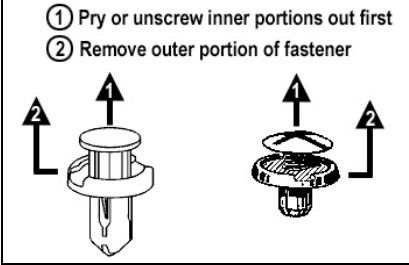



**CLEANING INSTRUCTIONS: USE WATER AND SOFT CLOTH TO CLEAN FLAPS. AVOID SOLVENT BASED CLEANERS**



Each mud flap set contains 4 flaps and mounting brackets and hardware (unless otherwise noted).

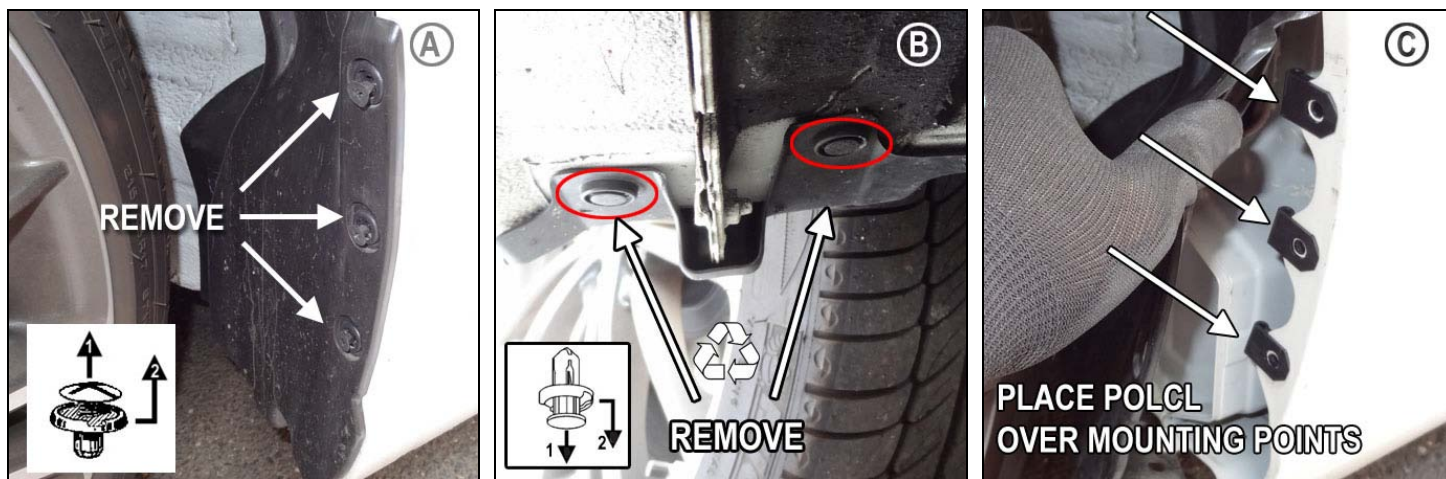
**Recommended tools:** Offset/ratcheting Phillips, small & long flat head screwdrivers.

<p><b>YOUR 2013+ SUBARU BRZ /TOYOTA FR-S MOUNTING HARDWARE CONSISTS OF:</b></p> <table border="1" style="width: 100%; border-collapse: collapse; margin-top: 5px;"> <thead> <tr> <th style="width: 10%;">Quantity</th> <th style="width: 60%;">Hardware Item</th> <th style="width: 30%;">Item ID</th> </tr> </thead> <tbody> <tr> <td>2</td> <td>Front brackets</td> <td>HMF23-FR-BR</td> </tr> <tr> <td>2</td> <td>Rear Brackets</td> <td>HMF23-R-BR</td> </tr> <tr> <td>14</td> <td>Polygon Clips</td> <td>PolCl</td> </tr> <tr> <td>10</td> <td>Long Stainless Steel Screws</td> <td>1.5SS</td> </tr> <tr> <td>4</td> <td>Short Stainless Steel Screws</td> <td>1SS</td> </tr> <tr> <td>14</td> <td>Washers</td> <td>SmWash</td> </tr> </tbody> </table>	Quantity	Hardware Item	Item ID	2	Front brackets	HMF23-FR-BR	2	Rear Brackets	HMF23-R-BR	14	Polygon Clips	PolCl	10	Long Stainless Steel Screws	1.5SS	4	Short Stainless Steel Screws	1SS	14	Washers	SmWash	<p><b>HOW TO REMOVE STOCK FASTENERS:</b></p> <div style="border: 1px solid black; padding: 5px; margin-top: 5px;"> <p>① Pry or unscrew inner portions out first</p> <p>② Remove outer portion of fastener</p>  </div>
Quantity	Hardware Item	Item ID																				
2	Front brackets	HMF23-FR-BR																				
2	Rear Brackets	HMF23-R-BR																				
14	Polygon Clips	PolCl																				
10	Long Stainless Steel Screws	1.5SS																				
4	Short Stainless Steel Screws	1SS																				
14	Washers	SmWash																				
<p> <b>Important Notes</b></p> <p><b>Cautionary Tip:</b> The hardware is strong and self threading but <u>over-tightening the mounting clips is not advised.</u></p> <p><b>Installation Tip:</b> To ease installation and avoid damage to existing OEM clips during removal, a well lit, climate controlled installation environment is recommended.</p>	<p><b>To the installer:</b> Please return these instructions to the customer after installation. Always test and check wheel clearances before returning vehicle.</p> <p><b>To the customer:</b> Retain these instructions after installation. They may be necessary for installing other optional parts or removal of this accessory.</p>																					

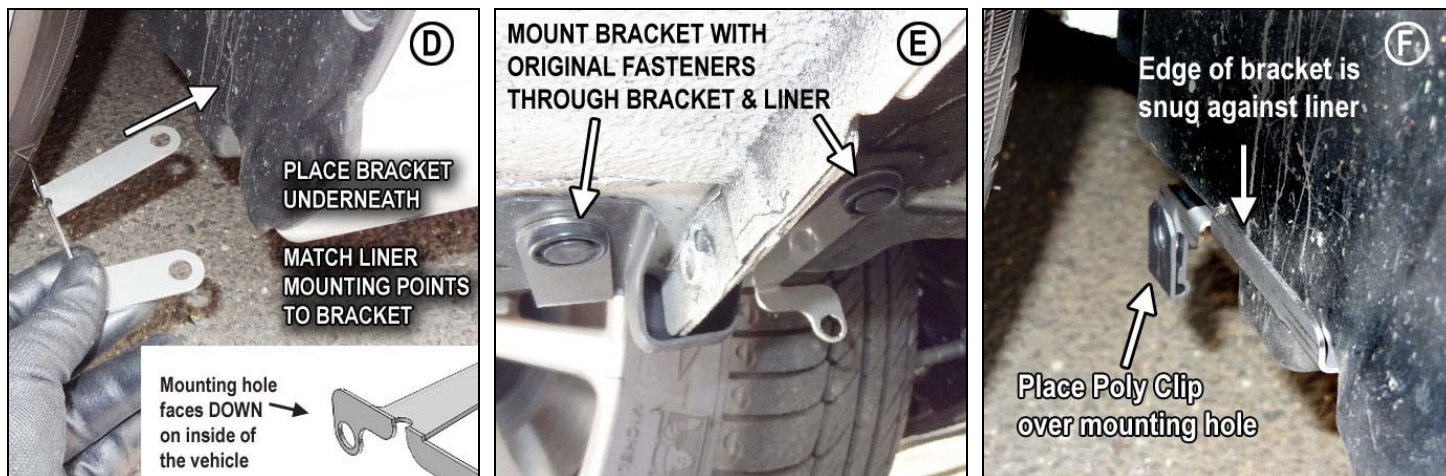
## Front Mud Flap Installation

Begin by parking the vehicle on an even surface. Turn the steering wheel to allow access to the inner wheel well area.

- **(Figure A)** Remove the 3 outer OEM fender line fasteners. Using a small screwdriver, separate inner screw, then pry out entire assembly.
- **(Figure B)** Carefully remove the two OEM fasteners located underneath the liner. Pry inner portion out first with a small flathead screwdriver. Remove outer portion afterwards. **You will be re-using these fasteners to mount the front bracket.**
- **(Figure C)** Pull liner back slightly and place 3 supplied poly edge clips (PolCI ) over the 3 outer mounting tabs. Replace liner over clips.



- **(Figure D)** Place the front bracket underneath the fender liner. The inside front mounting point faces down towards the ground. The longer of the two bracket legs mounts to the inside of the vehicle.
- **(Figure E)** Align the front bracket mounting points with fender liner mounting holes and install bracket to vehicle through liner using the previously removed OEM retainers. The bracket will be immobilized when installed correctly.
- **(Figure F)** Ensure front facing portion of bracket is snug against liner place polygon clip (PolCI) over the interior mounting point of the bracket.

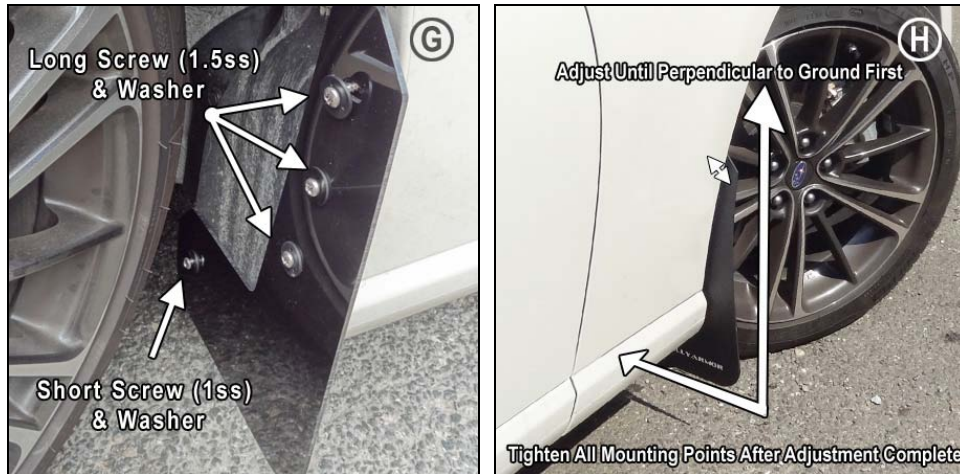




- **(Figure G)** Place the front mud flap against the corresponding mounting points with the logo facing toward the rear of the vehicle. Thread long screws (1.5SS) with washers (SmWash) through the flap and into each the 3 outer edge mounted clips. On the innermost mounting point of the bracket, use a short screw (1SS).

**⚠ IMPORTANT -Do not fully tighten. The mounting points are slotted to allow for movement and final alignment of flap.**

- **(Figure H)** Align outer edge of the flap by incrementally adjusting the angle of the flap and walking away from the vehicle until the flap is perpendicular to even ground. ***Do not over tighten. Tighten all mounting screws only until snug.***



## Rear Mud Flap Installation

- **(Figure I)** **Carefully** remove the OEM fastener found underneath the bumper skin closest to the tire. Pry the inner portion out with a small flathead screwdriver. Remove outer portion afterwards. You will reuse this fastener to mount the rear bracket.
- **(Figure J)** Slide the matching portion of the rear bracket BETWEEN the bumper skin, and the inner plastic bumper piece.
- **(Figure K)** Re-install the fastener you removed through the bumper skin, bracket, and the inner black plastic piece.

**⚠ IMPORTANT (K): YOU MUST INSTALL THE FASTENER THROUGH ALL THE MOUNTING POINTS INCLUDING THE INNER PLASTIC PIECE**



- **(Figure L)** Place polygon clip (PolCl) over the three mounting points as shown.

**⚠ IMPORTANT:** ENSURE ALL MOUNTING CLIPS ARE ALIGNED WITH MOUNTING HOLES ON VEHICLE AND BRACKET.

**⚠ IMPORTANT:** FOR THE MIDDLE MOUNTING POINT PLACE CLIP OVER BUMPER SKIN AND BRACKET MOUNTING POINT.

TO ENSURE ADEQUATE CLIP CLEARANCE, CHECK THAT THE REAR PORTIONS ARE POSITIONED WITHIN THE CUTOUTS FOUND ON THE INSIDE BUMPER PIECE.

- **(Figure M)** Place the mud flap against the corresponding mounting points on the vehicle and bracket. Thread long screws (1.5SS) with washers (SmWash) through the flap into the outer edge mounted clips. For the middle mounting point, the screw will thread through the mounting holes in the bumper, the bracket, and rear portion of the clip. Thread a short screw (1SS) with washer (SmWash) through the flap on the lower inner mounting point found on the bracket.

**⚠ IMPORTANT -Do not fully tighten.** The mounting points are slotted to allow for movement and final alignment of flap.

- **(Figure N)** Align outer edge of the flap by incrementally adjusting the angle of the flap and walking away from the vehicle until the flap is perpendicular to even ground. Tighten all mounting screws including bracket mountings points until snug. Do not over tighten.



All content included on these instructions is the copyright of Rally Armor® LLC