



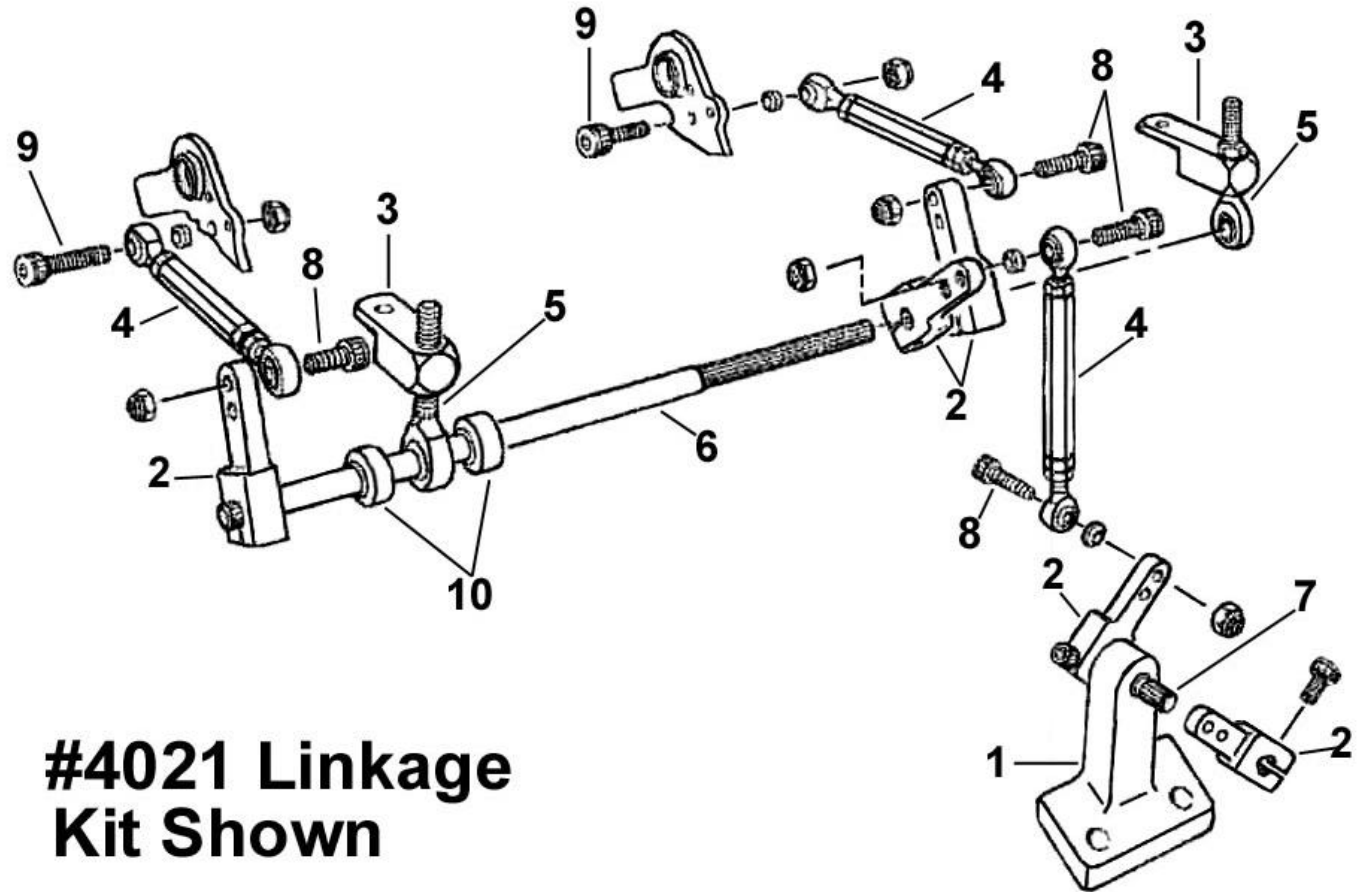
**A Holley Performance Brand**

## Throttle Linkage Kits for Side-Mount Carburetors P/N 4021, 4022, 4023, 4025, 4027, & 4032

NOTE: Linkage rods may be positioned on either side of the lever arms.

NOTE: Linkage kit #4021 is shown. Other linkage kits are similar.

| Item # | Qty | Description                            |
|--------|-----|--|
| 1      | (1) | Manifold Bracket                       |
| 2      | (5) | Splined Lever Arms                     |
| 3      | (2) | Linkage Support Bracket                |
| 4      | (3) | Aluminum Hex Shaft<br>-(2) 4" & (1) 3" |
| 5      | (2) | Male Rod Ends                          |
| 6      | (1) | 5/16 x 12" Splined Shaft               |
| 7      | (1) | 5/16 x 1 3/4" Splined Shaft            |
| 8      | (4) | 10-32 x 7/8" Socket Head Cap Screws    |
| 9      | (2) | 10-32 x 1" Socket Head Cap Screws      |
| 10     | (2) | I.D. Locking Collars                   |



Holley Performance Products  
1801 Russellville Road, P.O. Box 10360  
Bowling Green, KY 42102-7360

Technical Service: 270-781-9741  
Fax: 270-781-9772  
Email: support@holley.com

W527

Date: 6-5-01