



# Compact Combination Master Cylinder Kits

Wilwood's new ultra-short Compact Combination Master Cylinder Kit delivers race performance characteristics with multiple installation options for either competition racing or aftermarket upgrades.

- The kit includes everything necessary for multiple installation options, including remote or direct-mount reservoir positioning
- Remote mount hose and mounting hardware are included for up to four convenient setup combinations
- Kit features a compact 3.37" (85,6 mm) lightweight aluminum short body design
- The master cylinder provides 1.12" (28,5 mm) of usable push road stroke
- Ultra-tight tolerance cut off ports deliver immediate activation and responsive feel
- Six bore size are available, 5/8" (15,9 mm), 3/4" (19,0 mm), 13/16" (20,6 mm), 7/8" (22,2 mm), 1" (25,4 mm) and 1-1/8" (28,6 mm)
- The internal return spring's design and high pre-load tension ensure smooth drag-free performance
- The two reservoirs included are, 7 oz. (207 ml) and 10 oz. (296 ml) fluid capacity, and come with a impact resistant threaded reservoir cap with baffle and seal
- The master cylinder body is finished with a high-performance black E-coat for maximum corrosion resistance and durable lasting finish



**Compact Combination Master Cylinder**  
(Shown with Large (10 oz) Reservoir, Direct Mounted)

## ORDERING INFORMATION:

<u>MASTER CYLINDER KITS</u>		<u>PART NO.</u>	<u>REBUILD KITS</u>		<u>PART NO.</u>
5/8"	Combination Master Cylinder Kit	260-10371	5/8"	Combination Rebuild Kit	260-10513
3/4"	Combination Master Cylinder Kit	260-10372	3/4"	Combination Rebuild Kit	260-10514
13/16"	Combination Master Cylinder Kit	260-10373	13/16"	Combination Rebuild Kit	260-10515
7/8"	Combination Master Cylinder Kit	260-10374	7/8"	Combination Rebuild Kit	260-10516
1"	Combination Master Cylinder Kit	260-10375	1"	Combination Rebuild Kit	260-10517
1-1/8"	Combination Master Cylinder Kit	260-10376	1-1/8"	Combination Rebuild Kit	260-10518

## Minimum Mounting Requirements and Variations

### Four Different Master Cylinder Combinations Available in One Kit

Wilwood's new compact combination master cylinder kit can be mounted with the reservoir on the master cylinder body "direct mount" (Figure 1), or the reservoir positioned at a convenient remote location "remote mount" (Figure 2), and then connected via a flexible hose.

Both versions can utilize either a large or small mount reservoir (included in the kit), as your application warrants. Refer to Figure 3 for the minimum mounting requirements before installation begins.

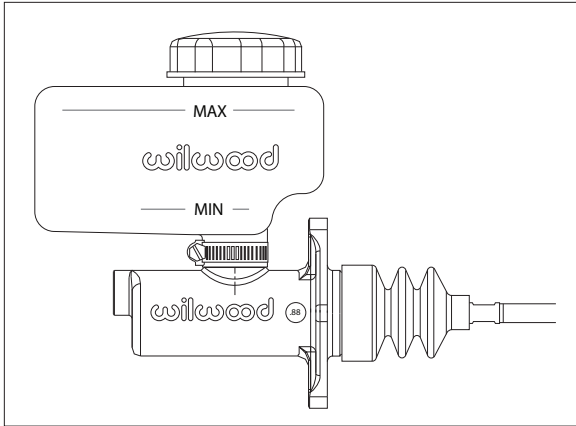


Figure 1. Direct Mounted Master Cylinder

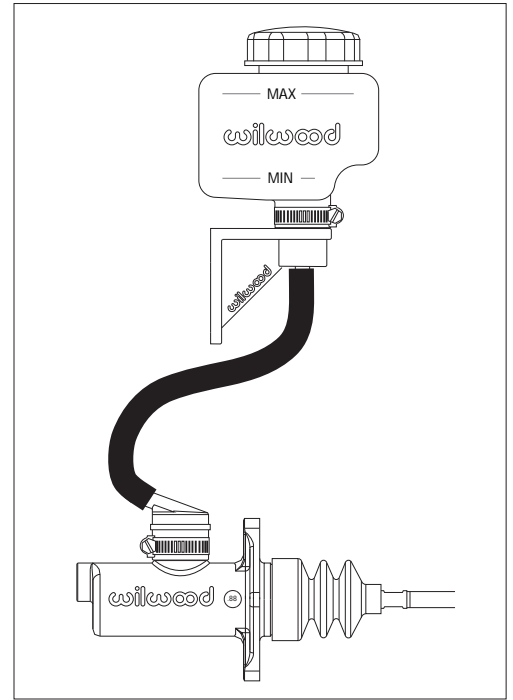


Figure 2. Remote Mounted Master Cylinder

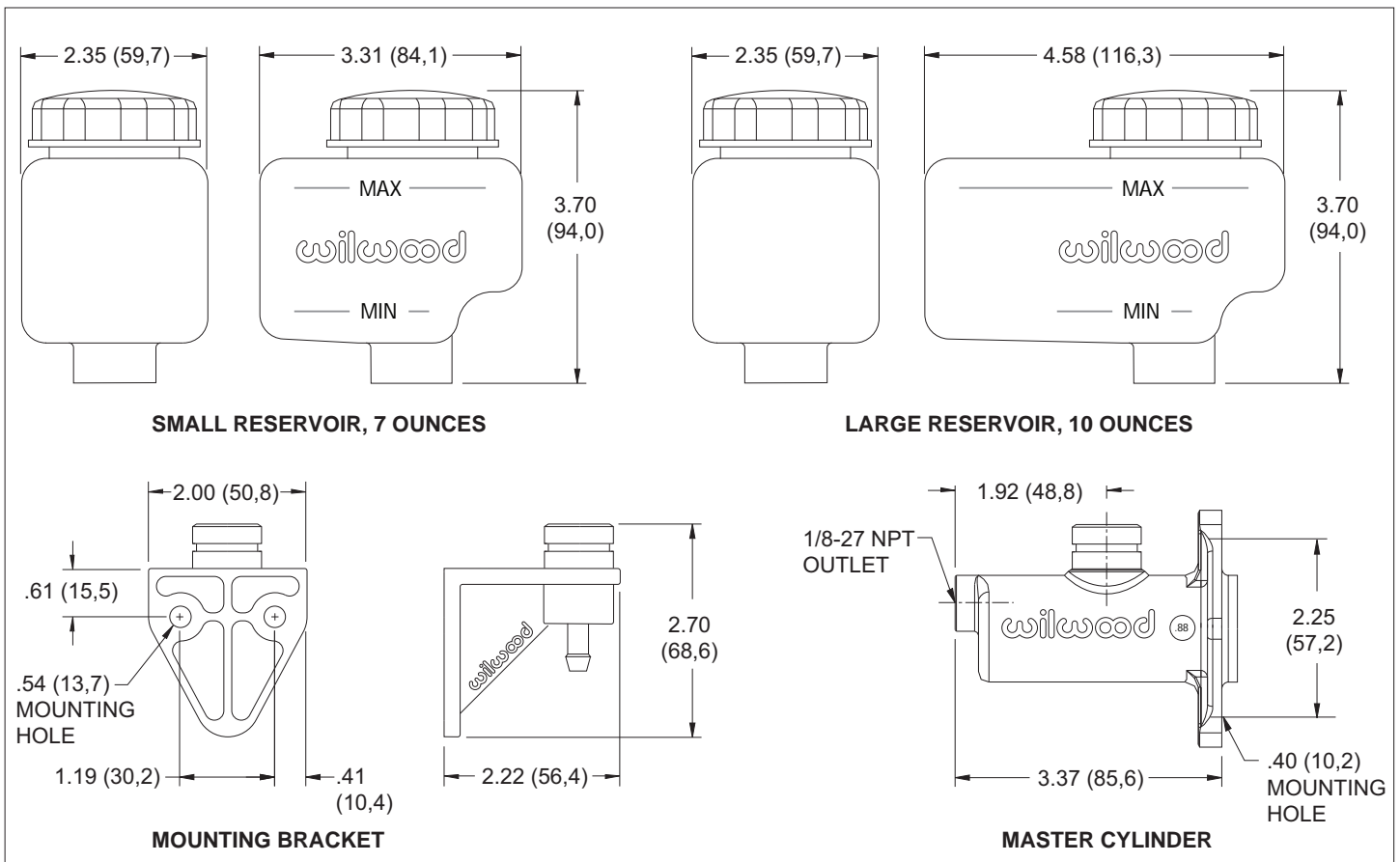


Figure 3. Minimum Mounting Requirements for Mounting Bracket, Master Cylinder and Reservoirs