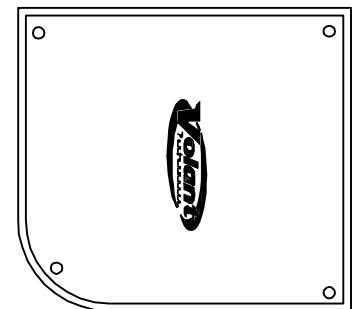
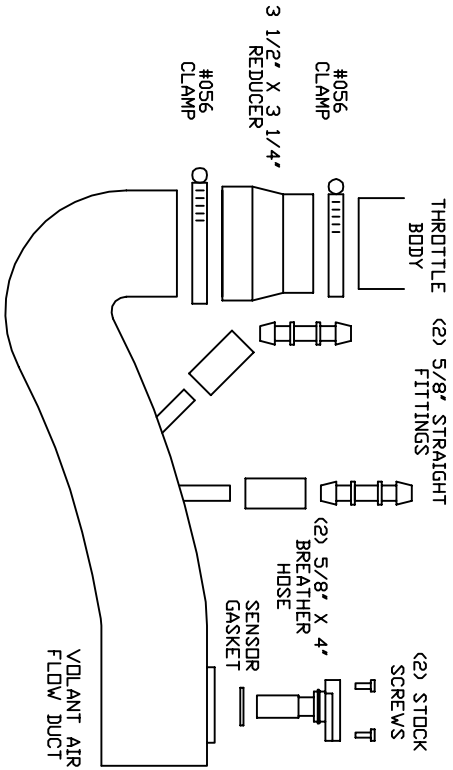


VOLANT AIR INTAKE SYSTEMS
 PART NO.: 12856
 INSTALLATION INSTRUCTIONS
 WWW.VOLANTPERFORMANCE.COM
 TECH SUPPORT: (909) 476-7225

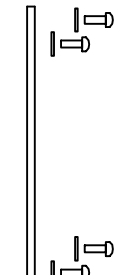
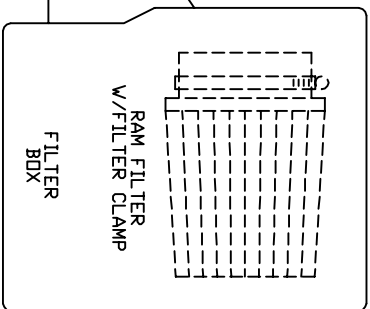
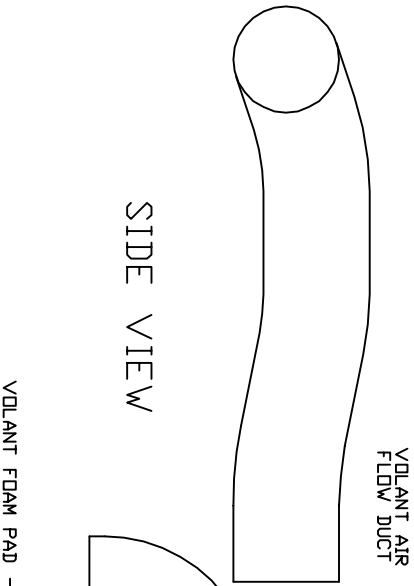
12856 PARTS LIST

1	FILTER BOX	2	5/8" X 4" BREATHER HOSES	1	VOLANT FOAM PAD
1	FILTER BOX LID	1	3 1/2" X 3 1/4" REDUCER	1	3/4" X 20" VINYL TRIM
1	VOLANT FLOW DUCT	1	1/2" RUBBER GROMMETS	1	3 1/2" END CAP
1	RAM FILTER W/CLAMP	1	8 MM BOLT		
2	#056 CLAMPS	4	1/4" RUBBER WASHERS		
4	1/4"-20 TRUSS HEAD SCREWS	1	5/16" WASHER		
2	5/8" STRAIGHT FITTINGS	1	5/16" LOCK WASHER		



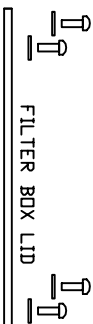
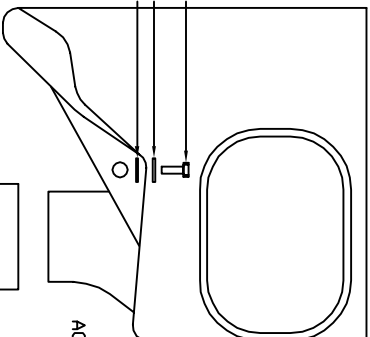
TOP VIEW

SIDE VIEW



3/4" X 20"
VINYL TRIM
W/SPONGE

8 MM BOLT
5/16" LOCK WASHER
5/16" WASHER



4) 1/4"-20 TRUSS HEAD SCREWS
 4) 1/4" RUBBER WASHERS



ACCESSORY SCOOP
INLET

NOTE: BOLT THE VOLANT BOX DOWN TO THE VEHICLE BY REMOVING THE TOP STUD ON THE FENDER WELL. THE 9/16" HOLE LOCATED ON THE BOTTOM OF THE VOLANT AIR BOX LINES UP WITH THE STOCK STUD.

3 1/2" END CAP