



Toll Free 1-888-467-1625 www.speedtech-performance.com

Billet Offset Shackle Install Instructions

Installation Instructions:

Disclaimer

All parts should be installed by a certified mechanic if you choose to install them your self you do so at your own risk.

In a few short hours you can update your classic car with Speed Tech Performance Ltd. New Billet Aluminum Offset Shackles.

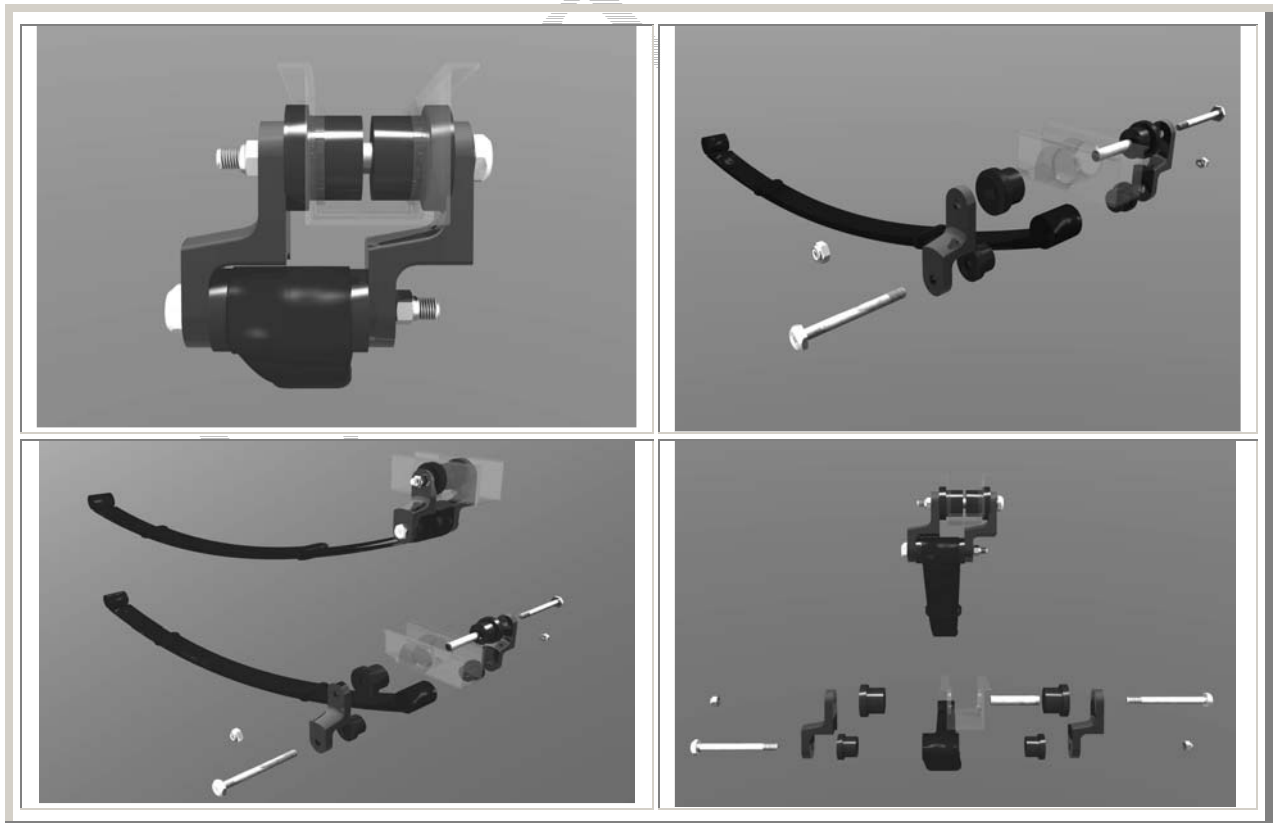
The Offset shackles are one of many components to complete your suspension.

We recommend you inspect your cars suspension system prior to installation of our kit as tie rods, ball joints, leaf spring bushings and other suspension parts may be worn which could cause adverse effects.

If you notice alignment, suspension or brake problems after the installation, these conditions probably existed prior to the installation. We recommend taking your car to a reliable alignment / suspension shop to have the installation performed. If you have the tools and are experienced in this field, be sure to have a professional adjust and review your work as necessary.

1. Raise the car and securely support the frame.
2. Remove the wheels from the vehicle and place 1 lug nut back on the wheel drum or disk to prevent it from slipping off.
3. If your gas tank has fuel then you will not need to drain the tank, be **careful gasoline is very flammable and explosive.**
4. Apply penetrating oil to loosen the gas tank strap bolts
5. Place a jack under the gas tank and use a 2X4 to span across the tank to disperse the load.
6. Disconnect the gas tank filler neck and all wiring (see drawings)
7. Slowly loosen the gas tank straps
8. Lower the gas tank and remove it from vehicle.
9. You will need a narrowed gas tank to re-install after the shackles are installed. You have a few options to choose from
 - You can buy a new steel tank and have it cut down.
 - You can narrow your exiting tank but I do not recommend it as it is highly volatile and could explode.
 - You can buy a custom stainless steel gas tank.
10. Apply penetrating oil to loosen the shackle bolts if you want to save them.
11. There are several ways to remove the old shackles. You can do one of the following;

- Use an acetylene torch to cut off the shackles.
 - Use a reciprocating saw to cut off the shackles.
 - Use an impact gun to remove the bolts.
12. Place a floor jack under the centre of the rear axle and gently raise the rear axle until enough pressure is taken of the shackles to remove the existing bolts.
 13. Now is the time to install new bushings in the frame rail and leaf springs if they appear deteriorated.
 14. Don't forget to grease the shackle bolts prior to use. (Use only quality grease)
 15. Install the offset shackles with the supplied bolts (but do not tighten the bolts up).
 16. Slowly remove the floor jack from the axle.
 17. Install your modified or new gas tank.
 18. Put your wheels back on and lower the vehicle down.
 19. Now that the vehicle is sitting on the ground on its own weight you can now tighten up the shackle bolts. 35 to 40 pounds.
 20. Finally enjoy your new ride.



Copyright © Speed Tech Performance 2006 Ltd