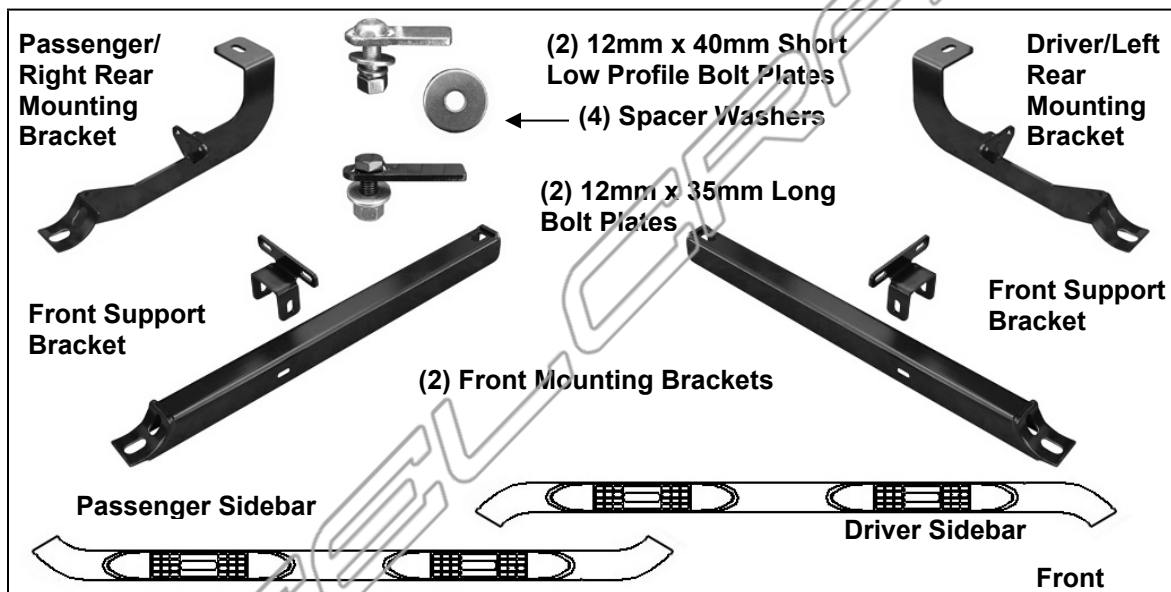


PARTS LIST:

1	Driver/Left Sidebar	4	12mm Lock Washers
1	Passenger/Right Sidebar	4	12mm Hex Nuts
2	Front Mounting Brackets	12	8-1.25mm x 25mm Hex Bolts
2	Front Support Brackets	16	8mm x 24mm x 2mm Flat Washers
1	Driver/Left Rear Mounting Bracket	12	8mm Lock Washers
1	Passenger/Right Rear Mounting Bracket	4	8mm Hex Nuts
4	14mm x 50mm x 4mm Flat Washers	8	6mm x 25mm Hex Bolts
2	12mm x 35mm Long Front Bolt Plate	16	6mm x 20mm OD x 2mm Flat Washers
2	12mm x 40mm Short Low Profile Rear Bolt Plate	8	6mm Lock Washers
4	12mm x 32mm x 3mm Flat Washers	8	6mm Hex Nuts



PROCEDURE:

- REMOVE CONTENTS FROM BOX. VERIFY ALL PARTS ARE PRESENT. READ INSTRUCTIONS CAREFULLY BEFORE STARTING INSTALLATION. CUTTING AND DRILLING IS REQUIRED.**
- Starting at the front, driver side of the vehicle, locate and remove the plastic cover attached to the bottom of the floor panel, **(Figure 1)**. Next, locate and remove the rubber plug in the bottom of the inner frame channel, **(Figure 2)**. Insert (1) 12mm x 35mm Long Bolt Plate into the hole, **(Figures 3A & 3B)**.
- Select (1) Front Bracket and (1) Front Support Bracket, **(Figure 4)**. Bolt the Support Bracket to the top of the front Bracket with (2) 8mm x 25mm Hex Bolts, (4) 8mm Flat Washers, (2) 8mm Lock Washers and (2) 8mm Hex Nuts. Snug but do not fully tighten hardware at this time.
- Next, attach the front Bracket assembly to the Bolt Plate with (1) 12mm Flat Washer (1) 12mm Lock Washer and (1) 12mm Hex Nut, **(Figure 5)**. Leave hardware loose at this time.
- Line up the mounting tab on the front Support Bracket with the back of the pinch weld. Use a clamp to temporarily attach the Support Bracket to the pinch weld, **(Figure 6)**.
- Move toward the rear of the vehicle. Locate the rubber plug in the bottom of the floor panel directly in front of the rear suspension mount, **(Figure 7)**. Insert (1) 12mm x 40mm Short Low Profile Bolt Plate into the hole, **(Figures 8A & 8B)**. Slide (1) Large Spacer Washer over the Bolt Plate, **(Figure 9A & 9B)**. Attach the driver side Rear Bracket to the Spacer and Bolt Plate with (1) 12mm Flat Washer, (1) 12mm Lock Washer and (1) 12mm Hex Nut, **(Figure 9C)**.
- Push the mounting tab on the Bracket up against the back of the pinch weld. Use a clamp to help hold the Bracket in place if necessary. Tighten the 12mm Hex Nut only at this time. Mark the locations of the slots on the mounting tab onto the back of the pinch weld, **(Figure 12)**.

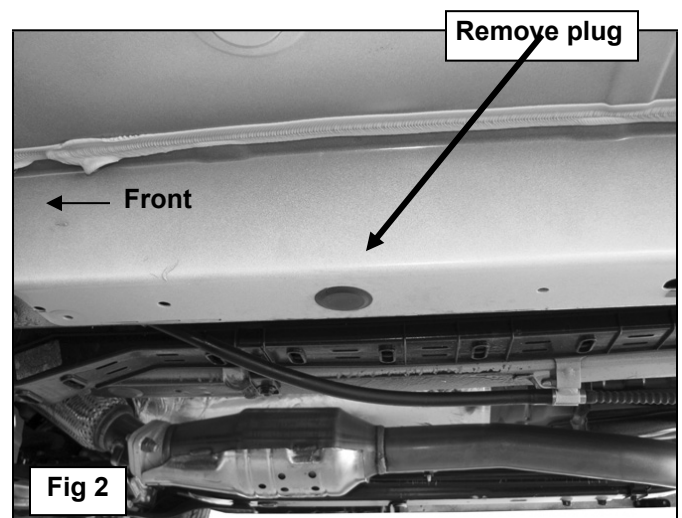
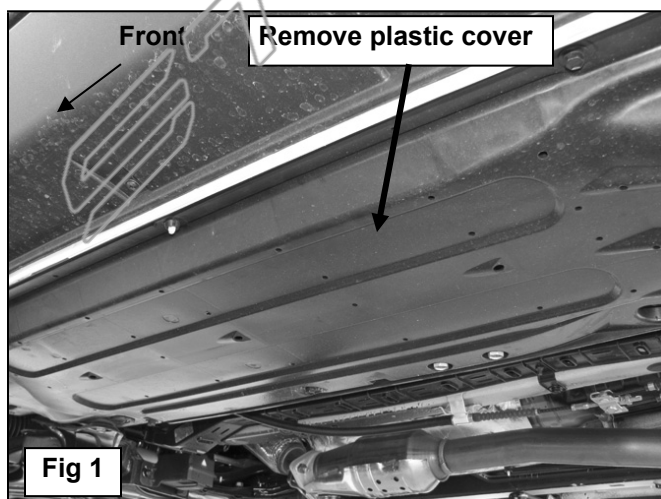
8. Remove the plastic deflector in front of the rear tire, (**Figure 10**). Carefully position the driver Sidebar onto the Mounting Brackets. Attach the Sidebar to the Brackets with the included (4) 8mm x 25mm Hex Bolts, (4) 8mm Lock Washers and (4) 8mm Flat Washers, (**Figures 11 & 12**). Do not fully tighten.
9. Remove the screws attaching the plastic rocker cover to the bottom of the body, (**Figure 11**).
10. Level and adjust the Sidebar properly and tighten all hardware. Note that (2) extra 14mm Spacers have been included to allow for a little additional vertical adjustment as required for the front Brackets only. Insert (1) Spacer between the inner end of the front Bracket and the bottom of the frame channel over the Bolt Plate, (**Figures 13A & 13B**). **IMPORTANT**: Make sure that the Sidebar is level and that the mounting slots in the Support Bracket are not too close to the bottom edge of the pinch weld before marking any of the front or rear holes for the Brackets.
11. Mark the front slot locations onto the back of the pinch weld, (**Figure 14**). Remove the Sidebar and the front and rear Brackets.
12. Drill (2) 1/4" holes through the pinch weld at the front Bracket location. **IMPORTANT**: Be very careful to avoid damaging the outer plastic rocker cover. Bolt the Support Bracket only to the back of the pinch weld with (2) 6mm x 25mm Hex Bolts, (4) 6mm Flat Washers, (2) 6mm Lock Washers and (2) 6mm Hex Nuts, (**Figure 15**). Snug but do not fully tighten hardware at this time.
13. Move to the rear Bracket location. Repeat **Steps 11 & 12** to drill and attach the mounting tab on the rear Bracket to the back of the pinch weld. Reinstall and tighten the rear Bracket hardware only.
14. Reattach the rocker cover with the factory screws, (**see Step 9**). **NOTE**: Trim the rocker cover around the 6mm Hex Bolts for proper fit.
15. Temporarily attach the front Bracket to the front Support Bracket and Bolt Plate. Hold the large plastic cover removed in **Step 2** up against the bottom of the front bracket. Mark the location of the Bracket onto the inside of the cover, (**Figure 16A**). Cut a slot in the cover with a sharp knife or hacksaw blade, (**Figure 16B**). **IMPORTANT**: Only remove material necessary to clear the front Bracket. Do not cut through the inner or outer edge of the cover. Once properly cut, remove the front Bracket. Reinstall the plastic cover with the factory hardware. Reinstall the front Bracket.
16. Reinstall the Sidebar. Align and adjust the Sidebar and fully tighten all hardware.
17. Repeat **Steps 2 - 16** for passenger Sidebar installation.
18. Do periodic inspections of the installation to make sure that all hardware is secure and tight.

To protect your investment, wax this product after installing. Regular waxing is recommended to add a protective layer over the finish. Do not use any type of polish or wax that may contain abrasives that could damage the finish.

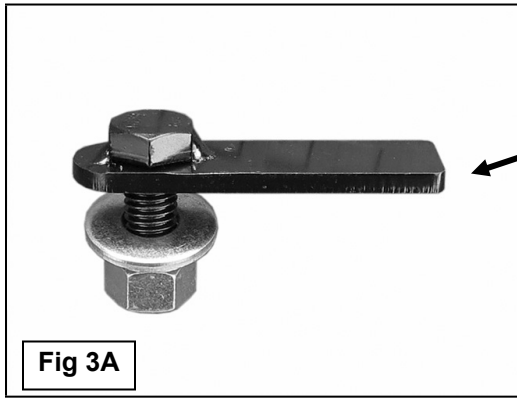
For stainless steel: Aluminum polish may be used to polish small scratches and scuffs on the finish. Mild soap may be used also to clean the Sidebar.

For gloss black finishes: Mild soap may be used to clean the Sidebar.

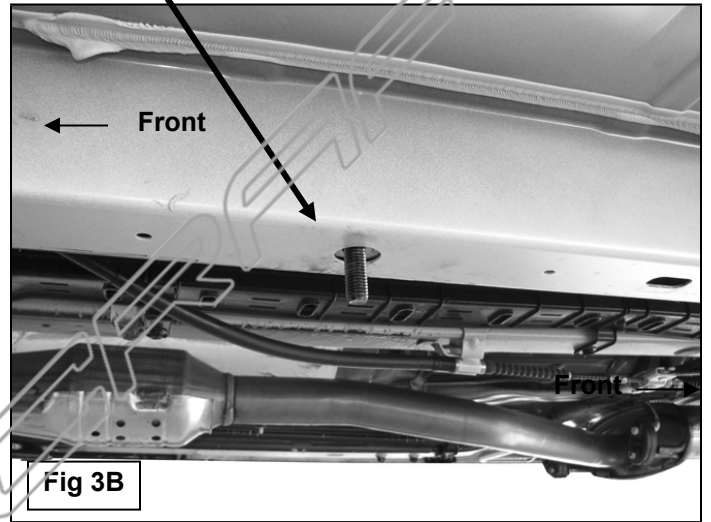
Driver Side Installation Pictured



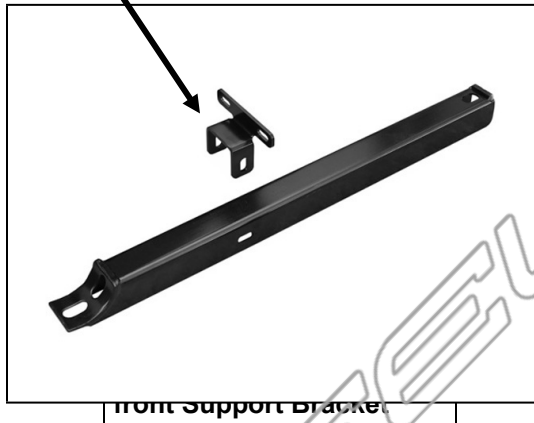
Driver Side Installation Pictured



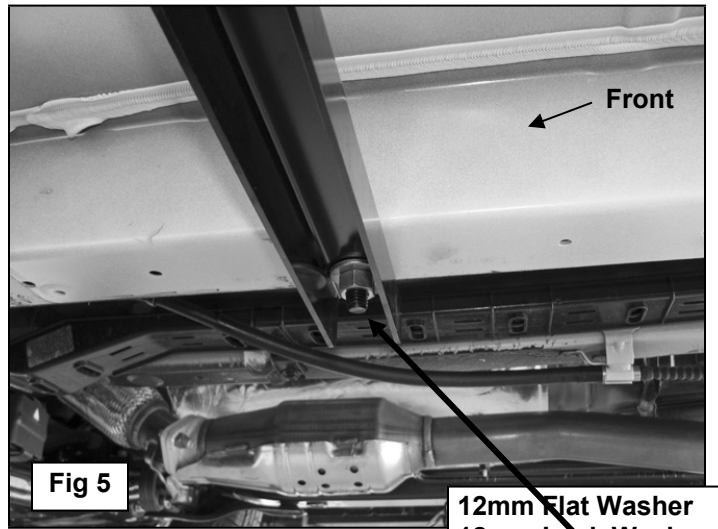
12mm x 35mm Long Bolt Plate



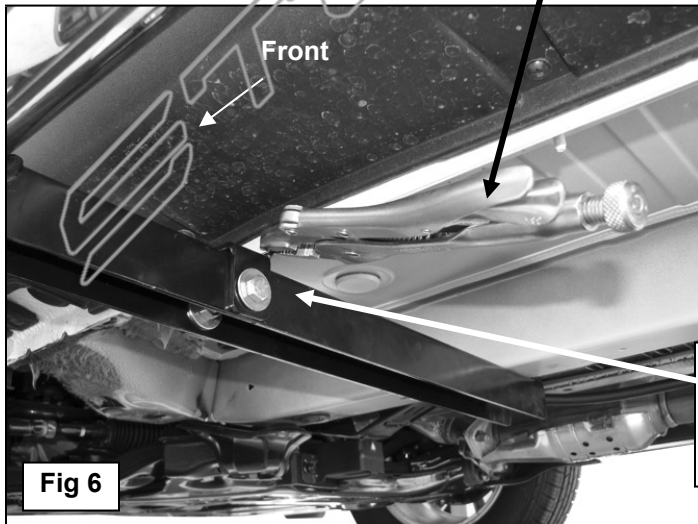
- (2) 8mm x 25mm Hex Bolts
- (4) 8mm Flat Washers
- (2) 8mm Lock Washers
- (2) 8mm Hex Nuts



Use clamp to temporarily hold front Bracket up to pinch weld until final installation

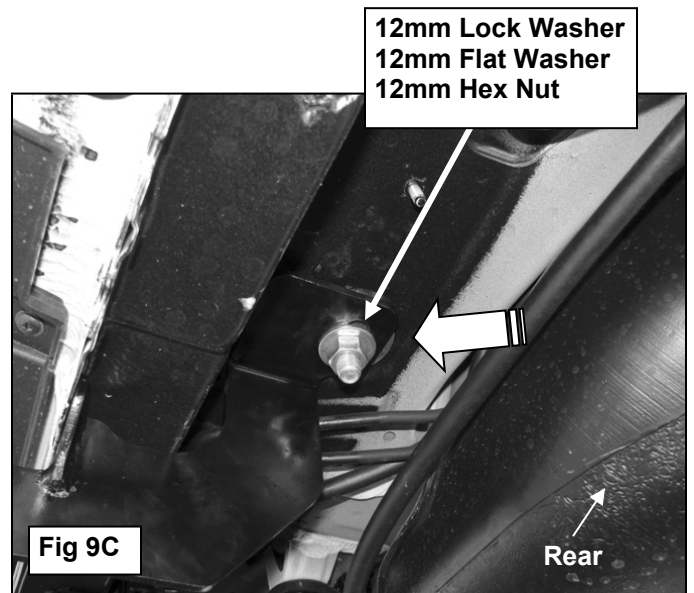
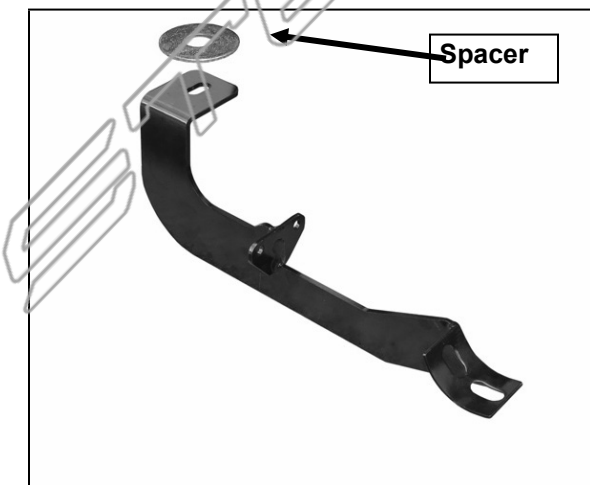
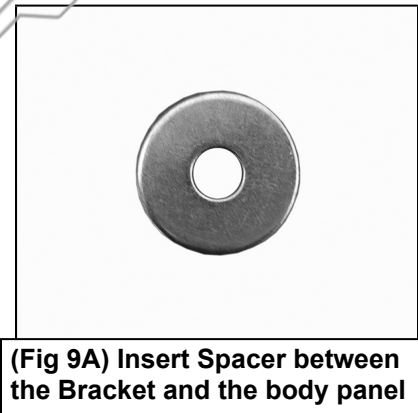
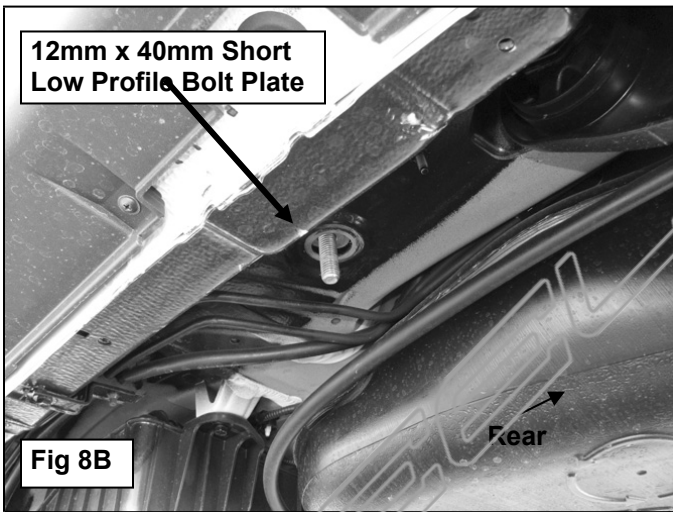
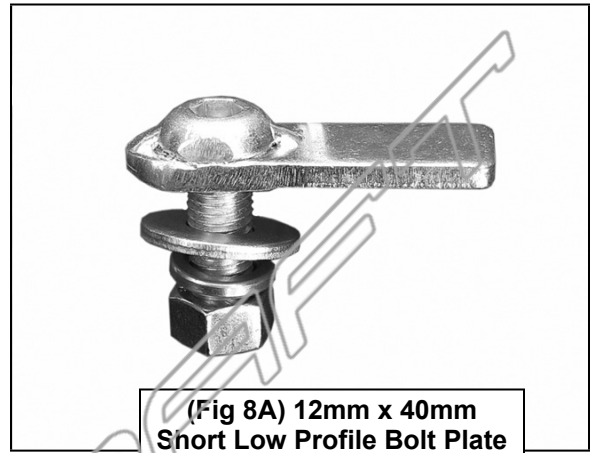
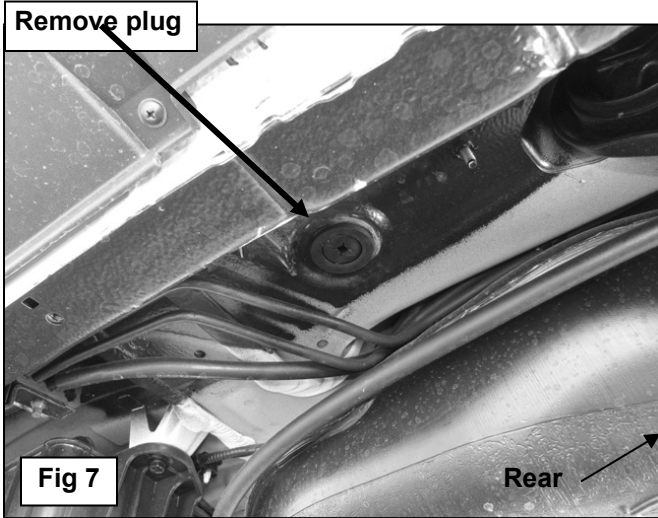


- 12mm Flat Washer
- 12mm Lock Washer
- 12mm Hex Nut



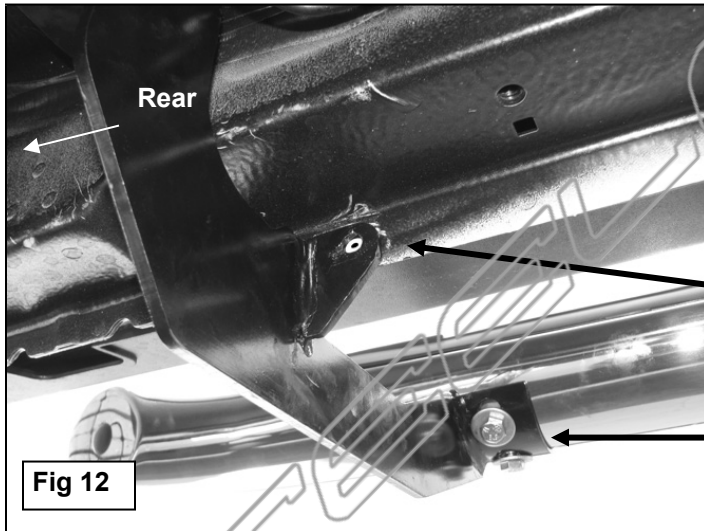
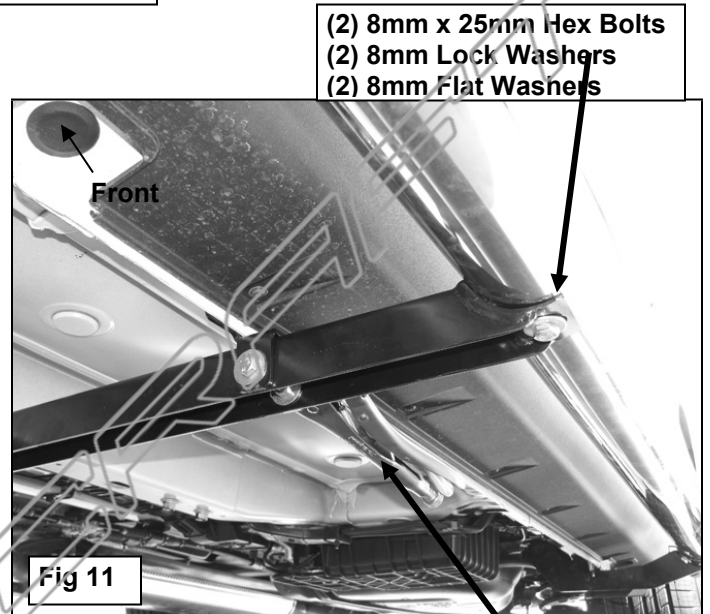
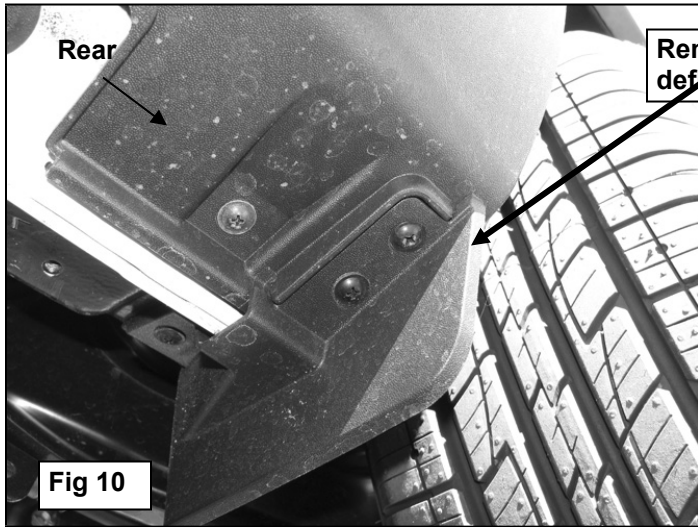
- (2) 8mm x 25mm Hex Bolts
- (4) 8mm Flat Washers
- (2) 8mm Lock Washers
- (2) 8mm Hex Nuts

Driver Side Installation Pictured



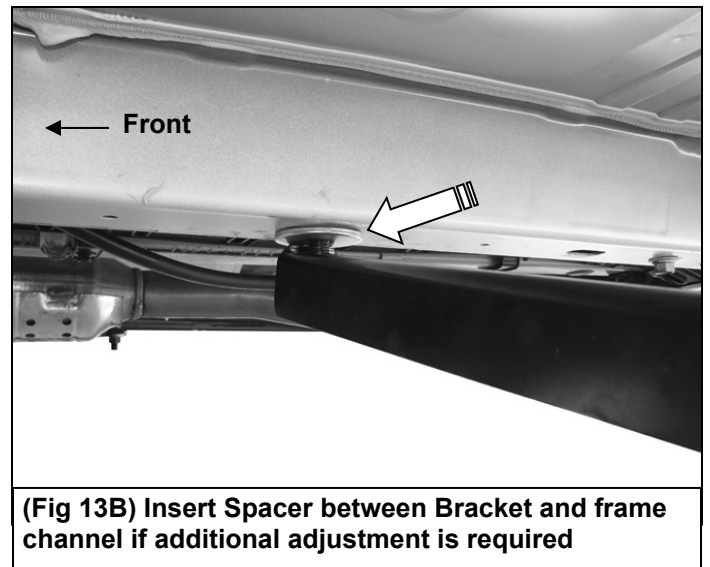
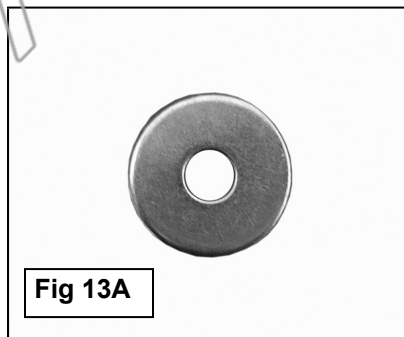
Insert Spacer between the Bracket and the body panel

Driver Side Installation Pictured

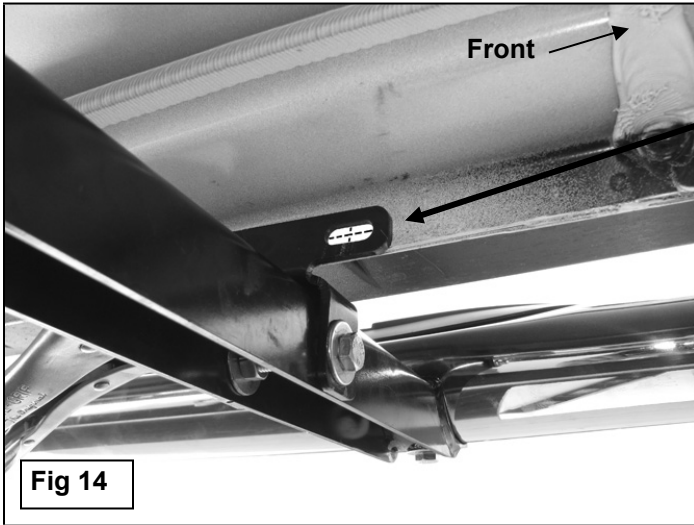


Mark the Bracket location onto back of pinch weld. Do not drill until after Sidebar is properly aligned and adjusted

(2) 8mm x 25mm Hex Bolts
(2) 8mm Lock Washers
(2) 8mm Flat Washers

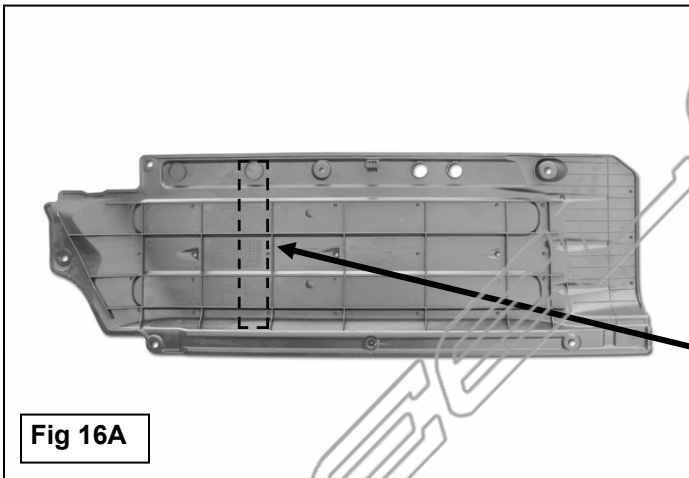
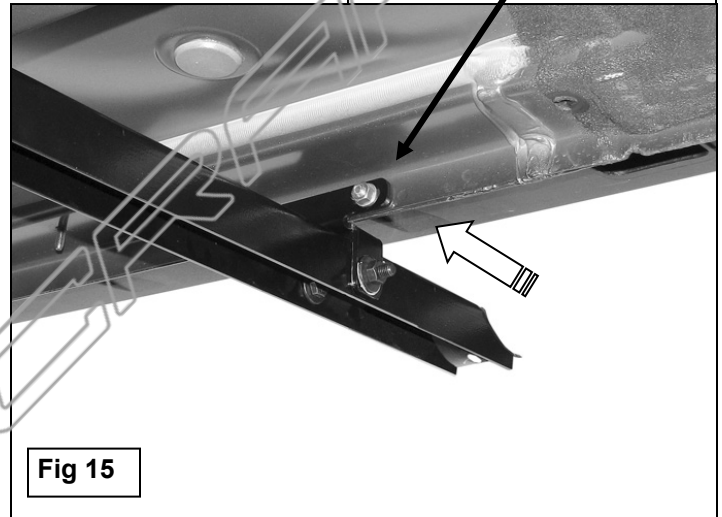


Driver Side Installation Pictured

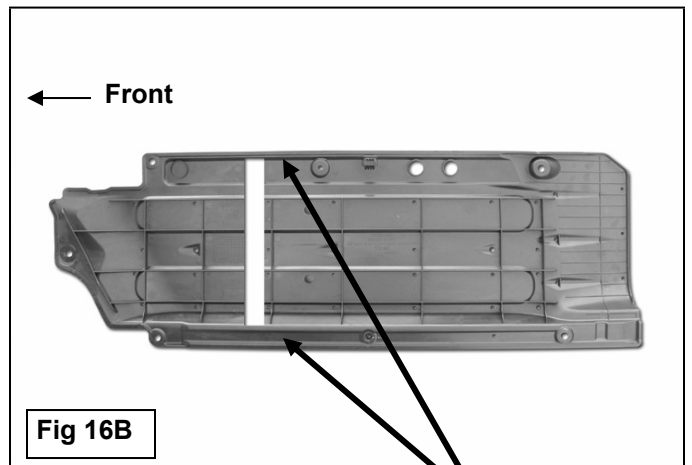
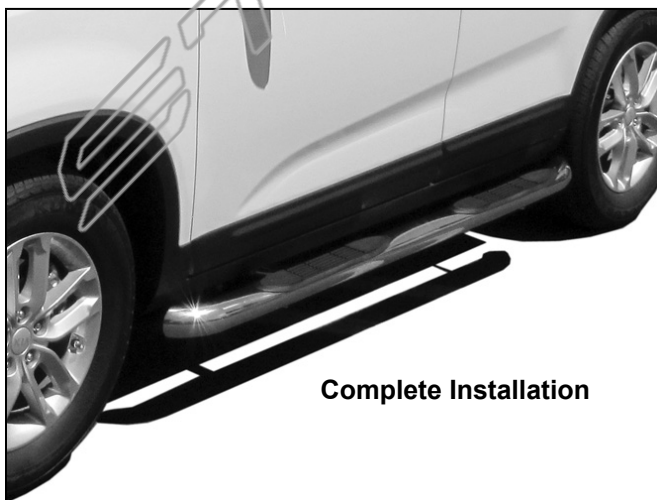


Mark the Bracket location onto back of pinch weld. Do not drill until after Sidebar is properly aligned and adjusted. Use clamp to temporarily hold Support Bracket in place. Do not drill too close to bottom edge of pinch weld

- (2) 6mm x 25mm Hex Bolts
- (4) 6mm Flat Washers
- (2) 6mm Lock Washers
- (2) 6mm Hex Nuts



After Sidebar has been properly aligned and adjusted, hold the plastic cover up in place against the front Bracket. Trace the Bracket location onto the cover. Cut slot out of cover to clear front Bracket.



IMPORTANT: Do not cut through the inner or outer edge of the cover. Only remove material required for Bracket clearance