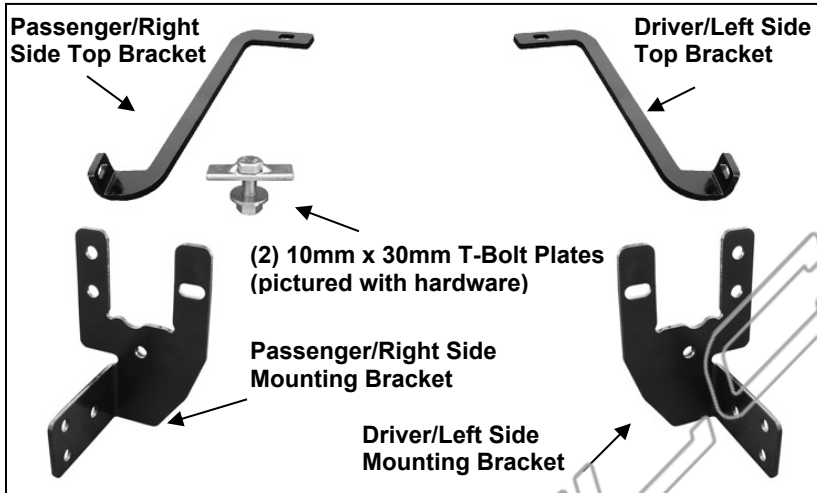


**PARTS LIST:**

1	Grille Guard	6	12-1.75mm x 35mm Hex Bolts
1	Driver/Left Mounting Bracket	16	12mm x 32mm OD x 3mm Flat Washers
1	Passenger/Right Mounting Bracket	8	12mm Nylon Lock Nut
1	Driver/Left Top Bracket	2	10-1.5mm x 30mm Button Head Bolts
1	Passenger/Right Top Bracket	4	10mm x 27mm OD x 3mm Large Flat Washers
2	10-1.50mm x 30mm "T" Bolts	4	10mm Nylon Lock Nuts
2	12-1.75mm x 120mm Hex Bolts		



**PROCEDURE:**

- 1. REMOVE CONTENTS FROM BOX. VERIFY ALL PARTS ARE PRESENT. READ INSTRUCTIONS CAREFULLY BEFORE STARTING INSTALLATION. DO NOT ATTEMPT INSTALLATION ALONE; PERSONAL INJURY OR DAMAGE TO THE TRUCK MAY RESULT.**
- Starting on the driver side, remove the (3) factory nuts bolting the bumper support to the end of the frame channel, **(Figures 1 - 3)**.
- Line-up the (3) upper holes in the driver side Frame Mounting Bracket with the threaded studs in the end of the frame channel. Bolt the Bracket to the studs using the existing nuts removed in **Step 2**, **(Figures 1 - 3)**. Insert (1) 12mm x 120mm Hex Bolt with (1) 12mm Flat Washer through the lower mounting hole in the bracket and into the end of the frame channel. Use the included (1) 12mm Flat Washer and (1) 12mm Nylon Lock Nut to secure the Bracket to the lower mounting hole, **(Figure 1 & 3)**. Tighten hardware at this time.
- Repeat **Steps 2 - 3** for passenger side Frame Mounting Bracket installation.
- Open the hood on the vehicle. Locate the factory hole on each side of the bottom of the radiator support crossmember behind the grille insert, **(passenger side pictured-Figure 4)**. Select (1) 10mm Bolt Plate. Insert the Bolt Plate through the back of the crossmember and down through the hole in the bottom of the crossmember, **(Figures 4 - 7)**.
- Slide the driver side Top Bracket through the plastic grille opening and attach it to the previously inserted Bolt Plate using the included (1) 10mm Flat Washer and (1) 10mm Nylon Lock Nut, **(Figure 5)**. Do not tighten hardware. Repeat this Step for remaining Top Bracket installation, **(Figure 6)**.
- With assistance, position the Grille Guard onto the inside of the Mounting Brackets. Use the included (6) 12mm x 35mm Hex Bolts, (12) 12mm Flat Washers and (6) 12mm Nylon Lock Nuts to attach the Grille Guard to the Mounting Brackets, **(Figures 2 & 3)**.
- Line up the mounting hole in the passenger side Top Bracket with the corresponding hole in the upright on the Grille Guard. Bolt the Top Bracket to the Grille Guard with the included 10mm x 30mm Button Head Bolt, (1) 10mm Flat Washer and 10mm Nylon Lock Nut, **(Figure 7)**. Do not tighten hardware at this time. Repeat this Step to bolt the driver side Top Bracket to the Grille Guard.

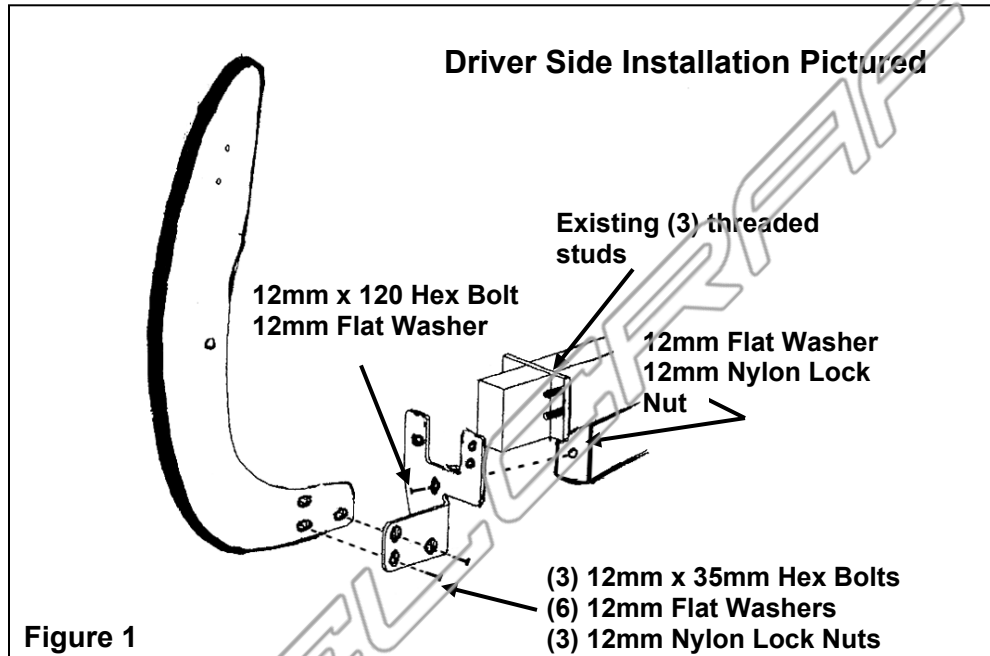
9. Align the Grille Guard properly and tighten all hardware.

10. Do periodic inspections to the installation to make sure that all hardware is secure and tight.

**To protect your investment**, wax this product after installing. Regular waxing is recommended to add a protective layer over the finish. Do not use any type of polish or wax that may contain abrasives that could damage the finish.

**For stainless steel:** Aluminum polish may be used to polish small scratches and scuffs on the finish. Mild soap may be used also to clean the Grille Guard.

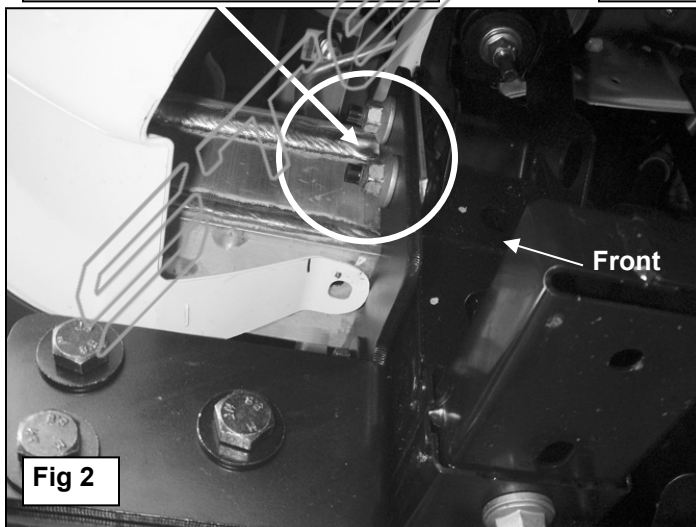
**For gloss black finishes:** Mild soap may be used to clean the Grille Guard.



Factory hex nuts bolting driver side Frame Bracket to end of frame channel

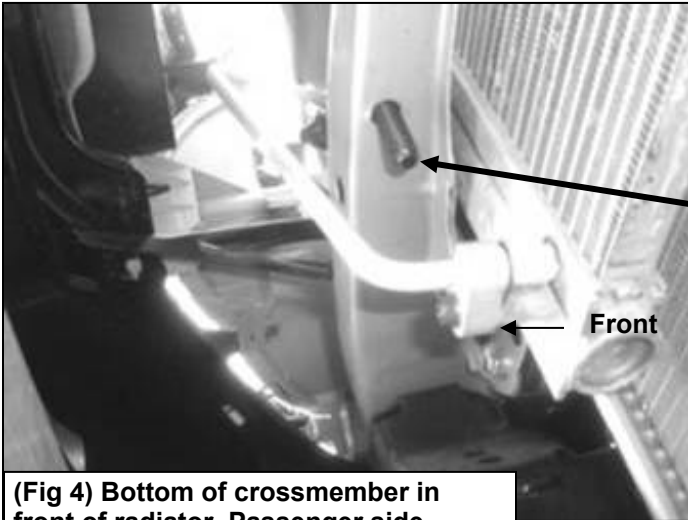
(3) 12mm x 35mm Hex Bolts  
(6) 12mm Flat Washers  
(3) 12mm Nylon Lock Nuts

12mm x 120mm Hex Bolt  
(2) 12mm Flat Washers  
12mm Nylon Lock Nut

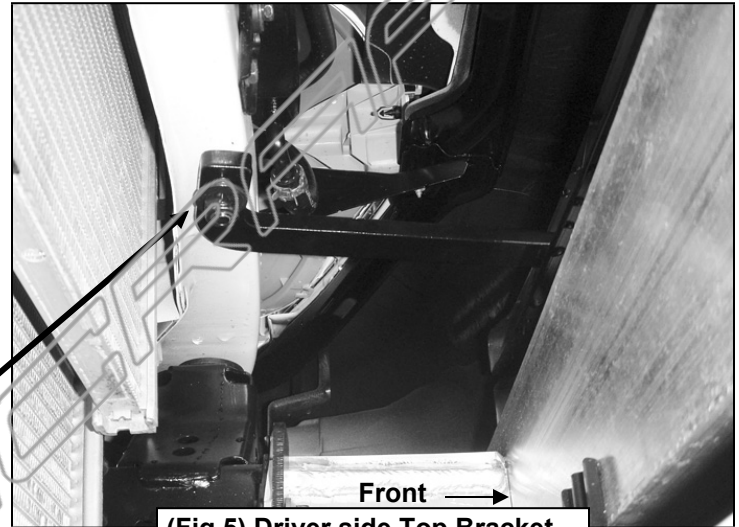


**NOTE:** It is not necessary but it may be easier to bolt the Top Brackets to the horizontal crossmember in front of the radiator after the factory skid plate has been removed

Insert T-Bolt Plate from behind and through hole in bottom of crossmember



(Fig 4) Bottom of crossmember in front of radiator. Passenger side pictured from below without skidplate

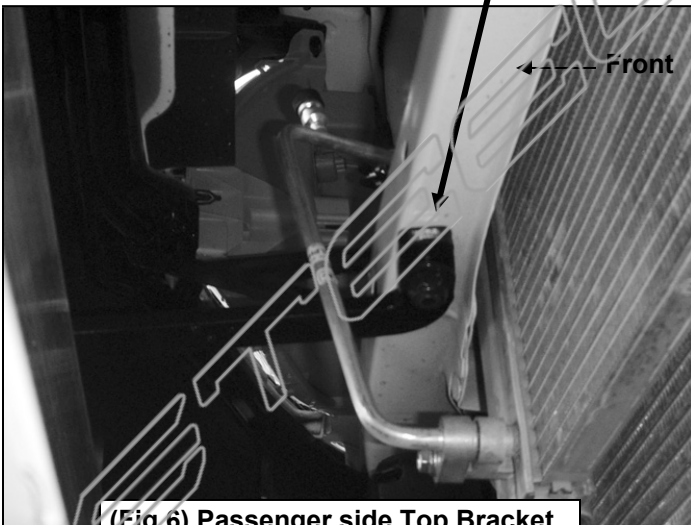


(Fig 5) Driver side Top Bracket installation pictured from below

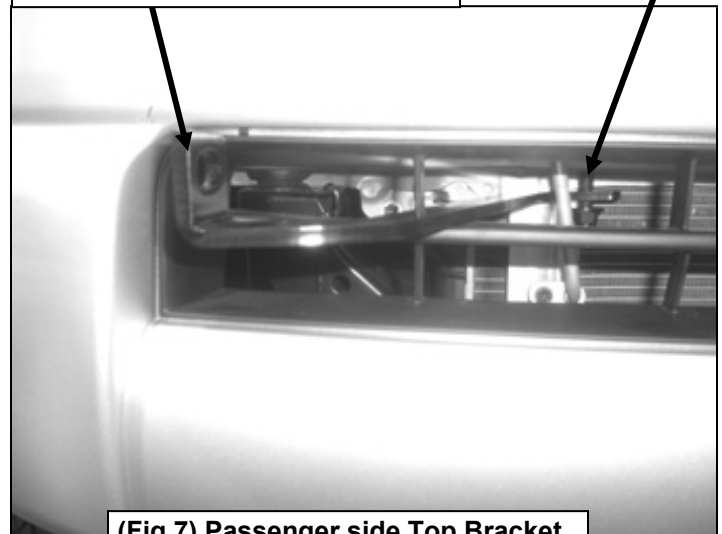
- 10mm T-Bolt Plate
- 10mm Flat Washer
- 10mm x 27mm Large Flat Washer
- 10mm Nylon Lock Nut

Bolt the Top Bracket to the Grille Guard with the included:  
10mm x 30mm Button Head Bolt  
10mm Flat Washer  
10mm Nylon Lock Nut

T-Bolt Plate w/hardware



(Fig 6) Passenger side Top Bracket installation pictured from below



(Fig 7) Passenger side Top Bracket installation through grille opening