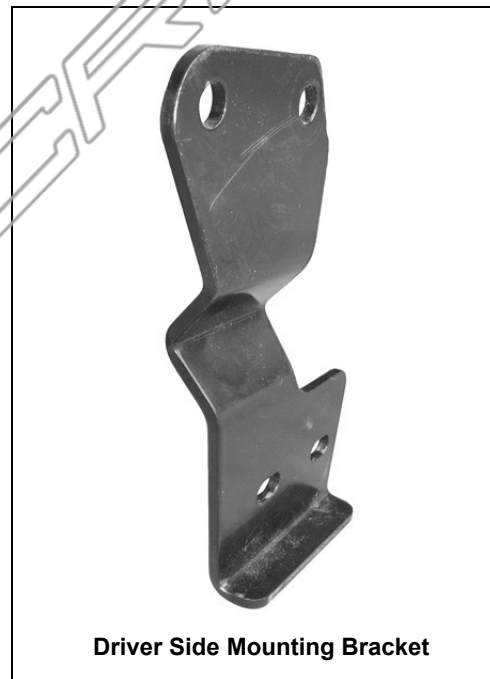
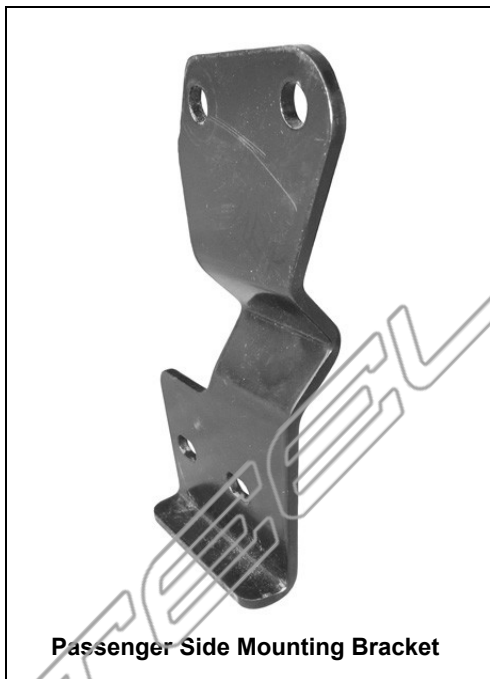


INSTALLATION INSTRUCTIONS
SPORT BAR
08 NISSAN MURANO
PART #

PARTS LIST:

1	Sport Bar	4	12-1.25mm x 30mm Hex Head Bolt (fine thread)
1	Driver/Left Mounting Bracket	4	12mm ID x 29mm OD x 3mm Flat Washers
1	Passenger/Right Mounting Bracket	4	10-1.50mm x 30mm Hex Head Bolts
		4	10mm Nylock Nuts
		8	10mm ID x 26mm OD x 3mm Flat Washers



PROCEDURE:

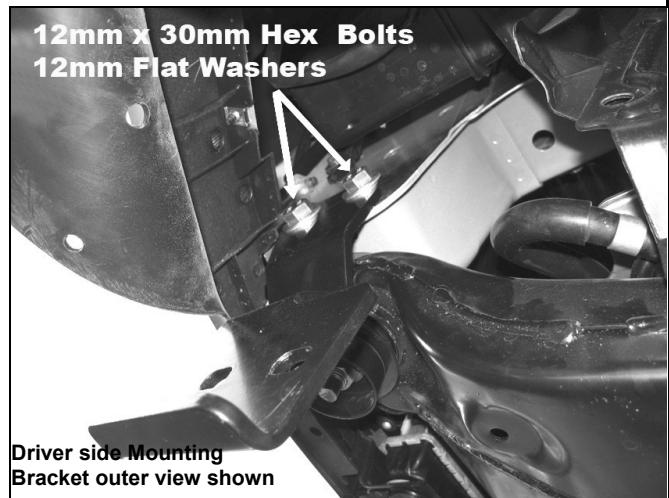
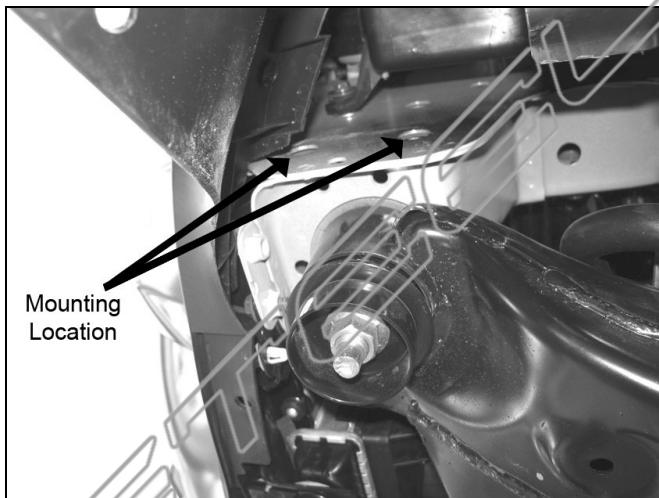
1. REMOVE CONTENTS FROM BOX. VERIFY ALL PARTS ARE PRESENT. READ INSTRUCTIONS CAREFULLY BEFORE STARTING INSTALLATION.
2. **NOTE:** The factory bottom plastic shroud must be removed to install this Sport Bar. From underside of vehicle, use a 10mm socket/wrench to remove screws and a flat screw driver to remove the clips from across the bottom plastic shroud. Once you have removed the plastic shroud, set it on a clean working area.
3. Starting on the driver side, slightly pull on the corner plastic of the inner liner to locate the two factory threaded holes right above the body mount. With the 90° bend towards the bottom and facing the outside of the vehicle, position the driver side Mounting Bracket over these factory holes. Loosely attach Mounting Bracket to vehicle using the included (2) 12mm x 30mm Hex Head Bolts and (2) 12mm Flat Washers. Repeat this step for passenger side.
4. Re-install factory plastic shroud at this time. Some cutting may be required.
5. With help position Sport Bar on the outer side of Mounting Brackets. Use the included (4) 10mm x 30mm Hex Head Bolts, (4) 10mm Nylock Nuts, and (8) 10mm Flat Washers to attach Sport Bar to Mounting Brackets. Do not tighten at this time.
6. Adjust Sport Bar properly, and then tighten all hardware at this time.
7. Re-install factory plastic shroud at this time. Some cutting may be required.
8. Do periodic inspections to the installation to make sure that all hardware is secure and tight.

To protect your investment, wax this product after installing. Regular waxing is recommended to add a protective layer over the finish. Do not use any type of polish or wax that may contain abrasives that could damage the finish.

For stainless steel: Aluminum polish may be used to polish small scratches and scuffs on the finish. Mild soap may be used also to clean the Sport Bar.

For gloss black finishes: Mild soap may be used to clean the Sport Bar.

(Driver Side Installation Shown)



Driver side Mounting
Bracket inner view shown

STEEL CRAFT