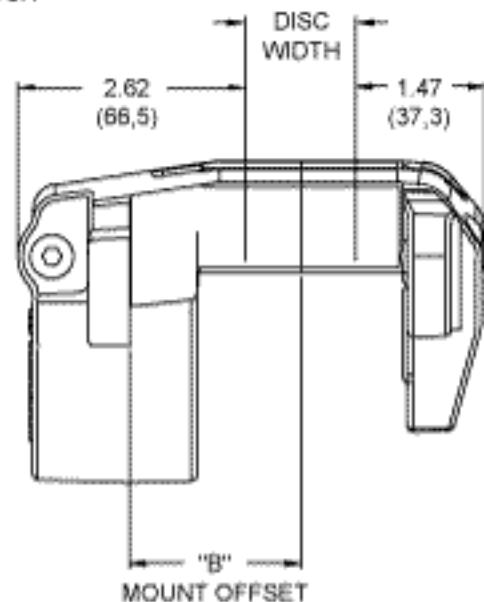
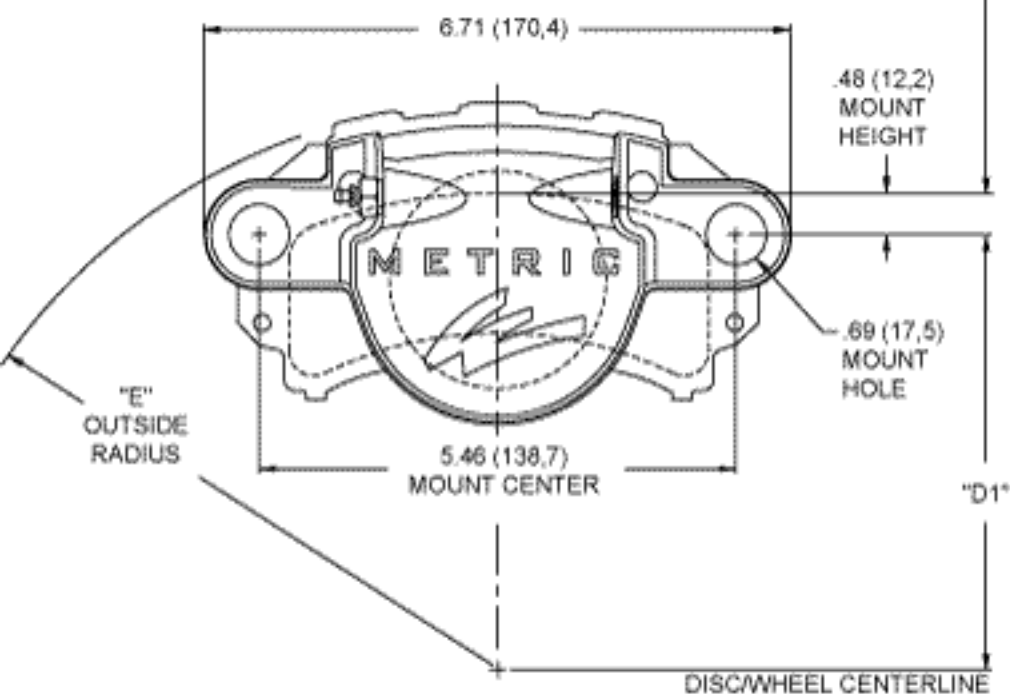


TOP OF FRICTION MATERIAL  
AND DISC O.D. TO BE FLUSH



DISC WIDTH	"B" MOUNT OFFSET
.81 (20,6)	1.74 (44,2)
1.00 (25,4)	1.84 (46,7)
1.25 (31,8)	1.96 (49,8)

DISC DIAMETER	"E" OUTSIDE RADIUS
11.00 (279,4)	6.55 (166,4)
11.75 (298,5)	6.90 (175,3)

DIMENSION "D1" = (DISC DIAMETER/2) - .48 (12,2)  
CALIPER MOVES INWARD AS PAD WEARS, .35 (8,9) MAX

NOTE: RIGHT HAND CALIPER SHOWN, LEFT HAND HAS BLEED SCREW REVERSED