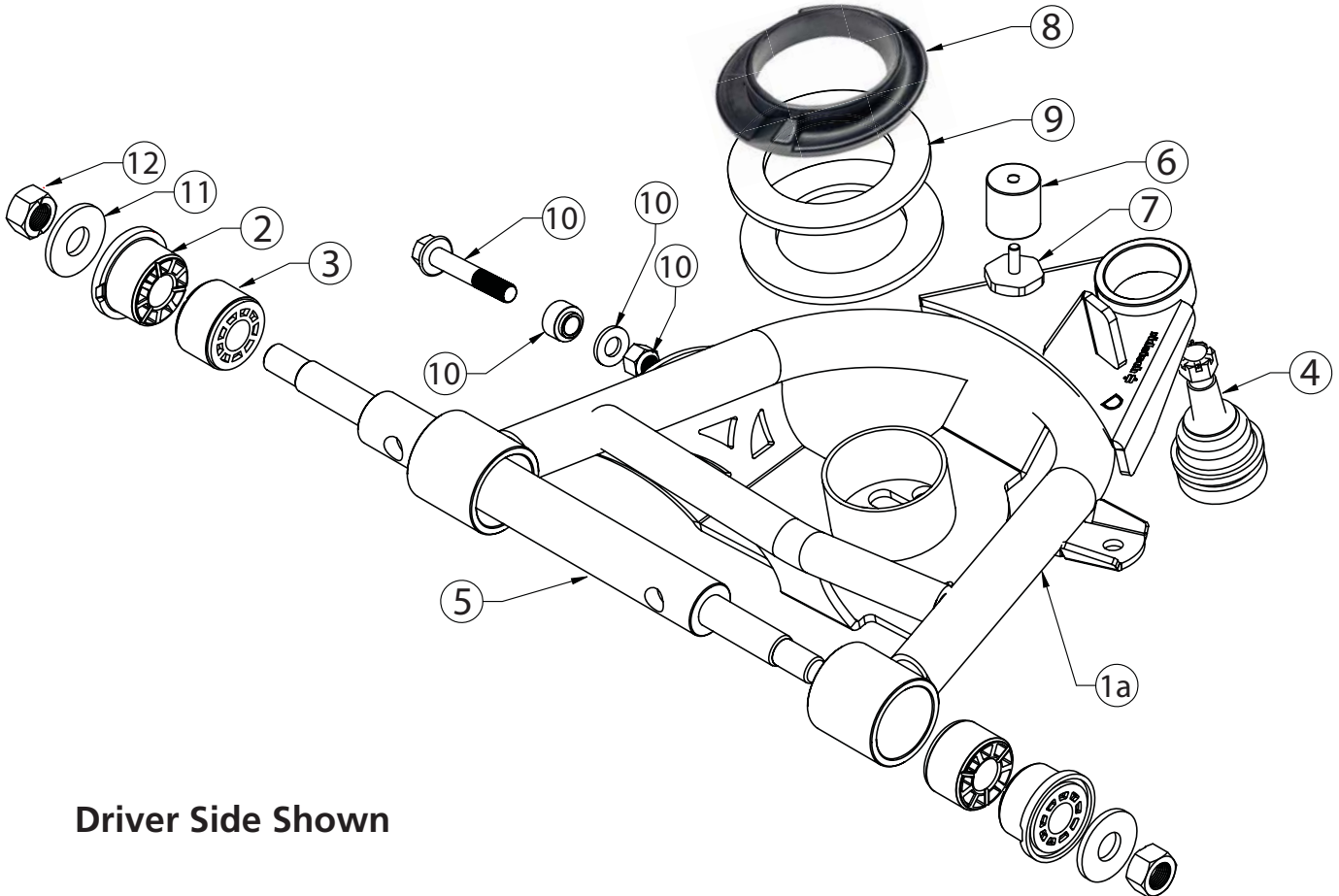




Part # 11352199 C10 Coil Spring StrongArms

### Upper Control Arm Components .....In the box

Item #	Part Number	Description	QTY
1	90003368	Driver Lower Control Arm <b>(Shown)</b>	1
1	90003369	Passenger Lower Control Arm	1
2	70010755	Control Arm Bushing - 2.5" OD Ledge	4
3	70011465	Control Arm Bushing - No Ledge	4
4	90000912/90000909	(63-70/71-87) - Lower Ball joint Assembly	2
5	90002430	Lower Control Arm Shaft	2
6	90000472	Bumpstop Spacer	2
7	70013322	Short Bumpstop	2
8	90000247	Coil Spring Isolator	2
9	90003349	1/4" Coil Spring Spacer	4
10	90001619	Shock Cantilever Pin Kit	2



Driver Side Shown



## Hardware Kit .....# 99010196

Part #	Description	QTY	Part #	Description	QTY
<b>CROSS SHAFT</b>			<b>BUMP STOPS</b>		
99753001	3/4" USS Flat Washer	4	99371065	3/8"-16 x 3/4" Hex Bolt	2
99752005	3/4"-16 Top Lock Nut	4	99373002	3/8" Split Lock Washer	2
			99373002	3/8" SAE Flat Washer	2
			90002263	Red Loctite	1