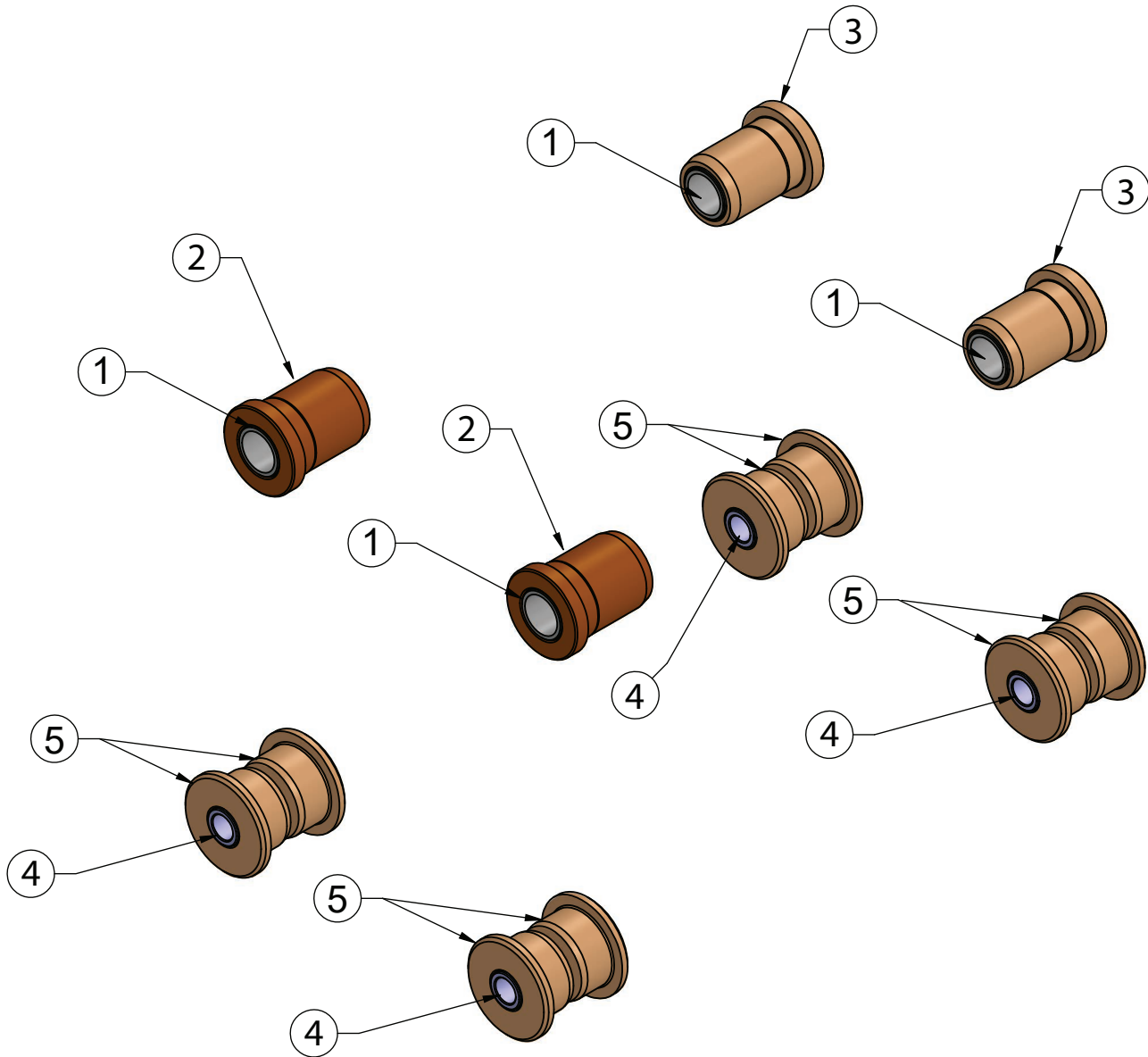


Kit Components:

11569500	Front Delrin Control Arm Bushing Kit
11569120	Front SwayBar
11560110	Front & Rear HQ Series Shocks
11519122	Rear SwayBar



Included ComponentsIn the box



Item #	Part #	Description	QTY
1	90003108	Upper Inner Bushing Sleeve	4
2	70014075	Upper Forward Bushing	2
3	70014076	Upper Rear Bushing	2
4	90003109	Lower Inner Bushing Sleeve	4
5	70014082	Lower Bushing	8

Major ComponentsIn the box

Part #	Description	QTY
90003165	Front SwayBar	1
90003167	SwayBar Bushing Frame Spacer	2
90003159	Control Arm Linkage Mount - Driver	1
90003160	Control Arm Linkage Mount - Passenger	1
70012401	Delrin SwayBar Bushing Liner	2
90001099	SwayBar Bushing	2
90002513	SwayBar Bushing Strap	2
90001258	End Link Adapter Spacer	4
70014722	Locking Rings	2

END LINK ASSEMBLY (Preassembled)

Part #	Description	QTY
70014735	10mm Female with Stud	2
70014736	10mm Male with Stud	2
99112001	M10-1.5 Jam Nut	2

HARDWARE KIT99010126

QTY	Part Number	Description
SWAYBAR BUSHING FRAME SPACER		
2	99111003	M10-1.5 X 40mm Hex Bolt
SWAYBAR BUSHING STRAP		
2	99111004	M10-1.5 X 60mm Hex Bolt
8	99113002	M10 Flat Washer
2	99371003	3/8"-16 x 1" Hex Bolt
LINKAGE MOUNT TO CONTROL ARM		
2	99373006	3/8"-16 X 2 3/4" Hex Bolt
6	99373002	3/8" SAE Flat Washer
2	99372001	3/8"-16 Nylok Nut

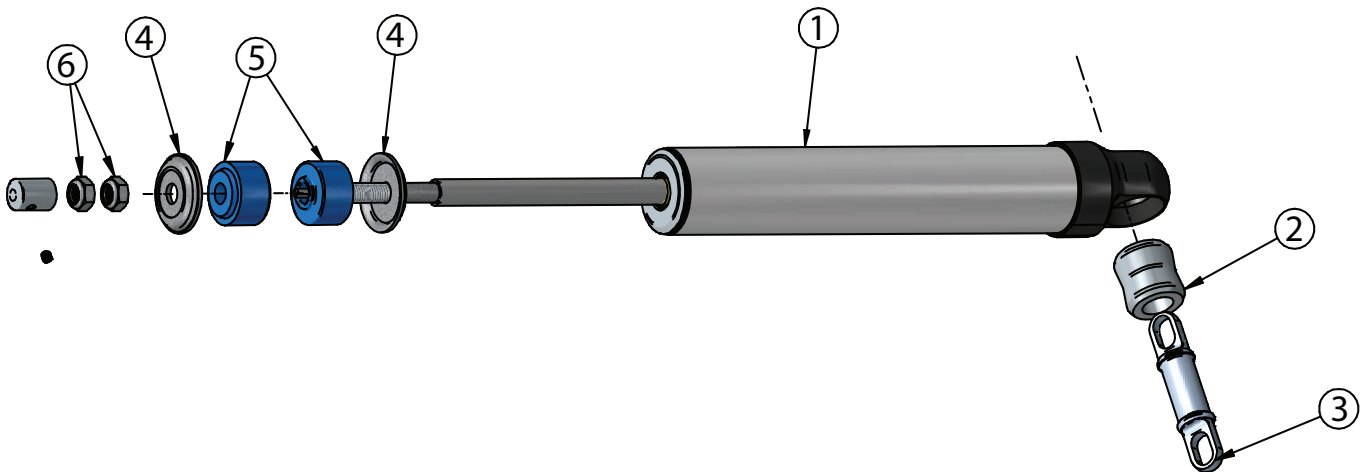
QTY	Part Number	Description
SHOCK BOLTS TO CONTROL ARM		
4	99311031	5/16"-18 x 2 1/4" Hex Bolt
4	99313001	5/16" SAE Flat Washer
4	99312002	5/16"-18 Nylok Nut
END LINKS TO SWAYBAR AND FRAME MOUNT		
4	99112005	M10-1.5 Flange Lock Kit



1989-1996 C4 HQ Front Smooth Body Shocks

Major ComponentsIn the box

Item #	Part #	Description	QTY
1	986-10-042	4.75" Stroke Shock	2
2	70011139	5/8" ID Shock Bushing	2
3	90002068	Wide Trunnion	2
4	70012188(kit)	Bushing Support Washer	4
5	70012188(kit)	Stem Bushing	4
6	99372006	3/8"-24 Thin Jam Nut	4
	85000020	Hex Key for Adjustment Knob Set Screw	1



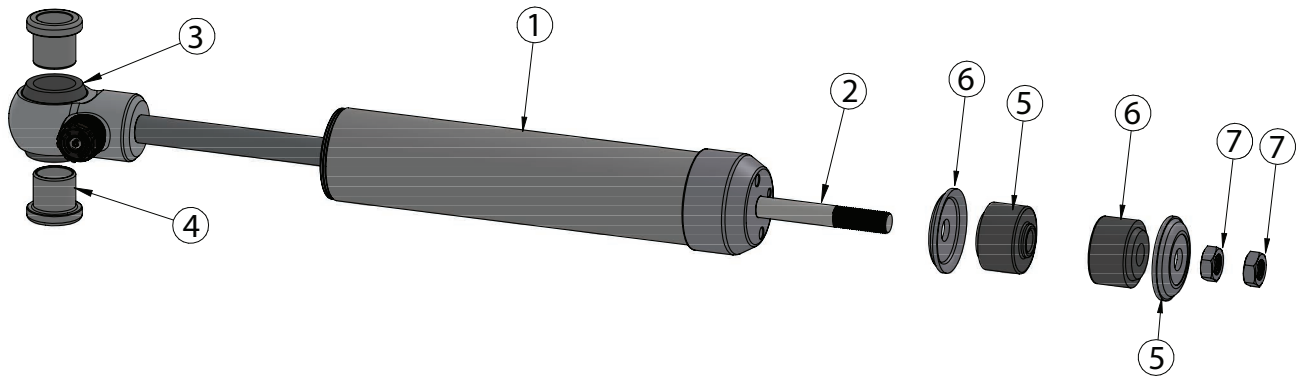
www.ridetech.com
812-482-2932



1989-1996 C4 HQ Rear Smooth Body Shocks

Major ComponentsIn the box

Item #	Part #	Description	QTY
1	986-10-039	4.75" Stroke HQ Series Shock	2
2	72000224	Shock Stud - threaded into shock body	2
3	70011138	3/4" ID Shock Bushing	2
4	70011190	5/8" ID Shock Sleeve Half - 2 per bushing	4
5	70011140	Shock Stud Bushing	4
6	70011141	Shock Stud Bushing Washer	4
7	99372006	3/8"-24 Thin Jam Nut	4



www.ridetech.com
812-482-2932

Major ComponentsIn the box

Part #	Description	QTY
90003161	Rear SwayBar	1
90003164	SwayBar Bushing Frame Spacer	2
90003162	Control Arm Linkage Mount	2
70012402	Delrin SwayBar Bushing Liner	2
90002539	SwayBar Bushing	2
90002533	SwayBar Bushing Strap	2
90001258	End Link Adapter T-Bushing	4
90003163	End Link Spacer (.300" Thick)	2
70014721	Locking Rings	2

END LINK ASSEMBLY (Preassembled)

Part #	Description	QTY
70014735	10mm Female with Stud	2
70014736	10mm Male with Stud	2
99112001	M10-1.5 Jam Nut	2

HARDWARE KIT.....99010127

QTY	Part Number	Description
END LINK MOUNTS TO KNUCKLE		
4	99311011	5/16"-18 x 1 1/4" Hex Bolt
4	99313001	5/16" SAE Flat Washer
4	99312002	5/16"-18 Nylok Nut
END LINKS TO KNUCKLE MOUNT		
4	99113002	M10 Flat Washer
END LINKS TO SWAYBAR AND FRAME MOUNT		
4	99112005	M10-1.5 Flange Lock Kit