

Front Components

111723699 Front Upper Control Arms
 11723110/11723115 2WD/4WD Front CoilOver Kit

Rear Components

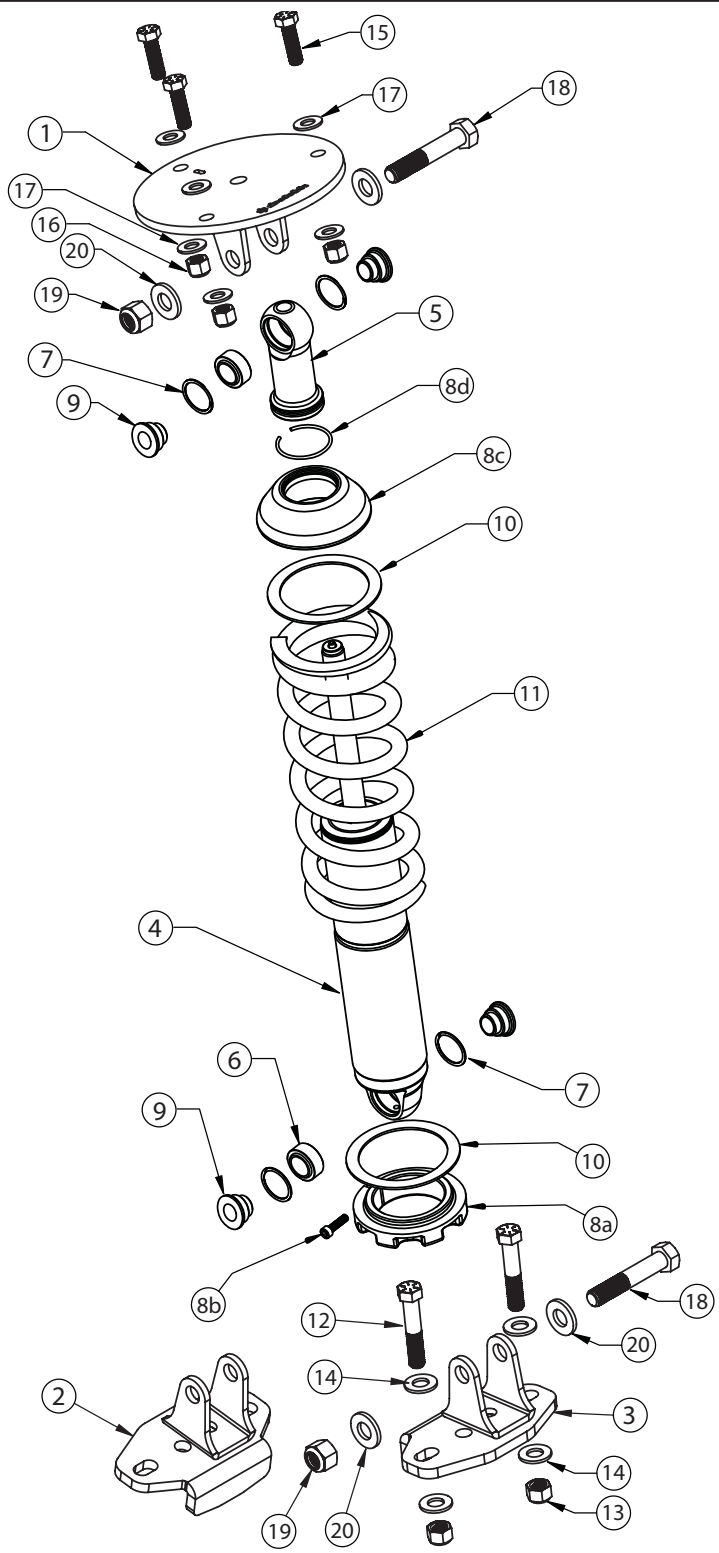
11729511 Rear Flip Kit with HQ Series Shocks

Major Front ComponentsIn the box

Item #	Part #	Description	QTY
1	90003435	Upper CoilOver Mount Assembly	2
2	90003436	Lower CoilOver Mount Assembly - Driver	1
3	90003437	Lower CoilOver Mount Assembly - Passenger	1
4	982-10-805	5.2" Stroke HQ Series Shock	2
5	90002025	1.7" Shock Eyelet Assembly	2
6	90001994	5/8" ID Bearing (installed in shock eyelet/body)	4
7	90001995	Bearing Snap Ring (installed in shock eyelet/body)	8
8a	90001447(kit)	Lower Spring Adjuster Nut - 234-15-200	2
8b	90001447(kit)	Adjuster Nut Locking Screw - 99050001	2
8c	90001447(kit)	Upper CoilSpring Retaining Plate - 90002070	2
8d	90001447(kit)	CoilSpring Plate Retaining Ring - 038-01-006-A	2
9	90002043	.500" x .365" Shock Bearing Spacers	8
10	70010828	Delrin Spring Washer	4
11	59120550 (2WD) or 59100650 (4WD)	CoilSpring 12" (2WD) 550lb - 2WD or CoilSpring 10" (4WD) 650lb - 4WD	2 or 2

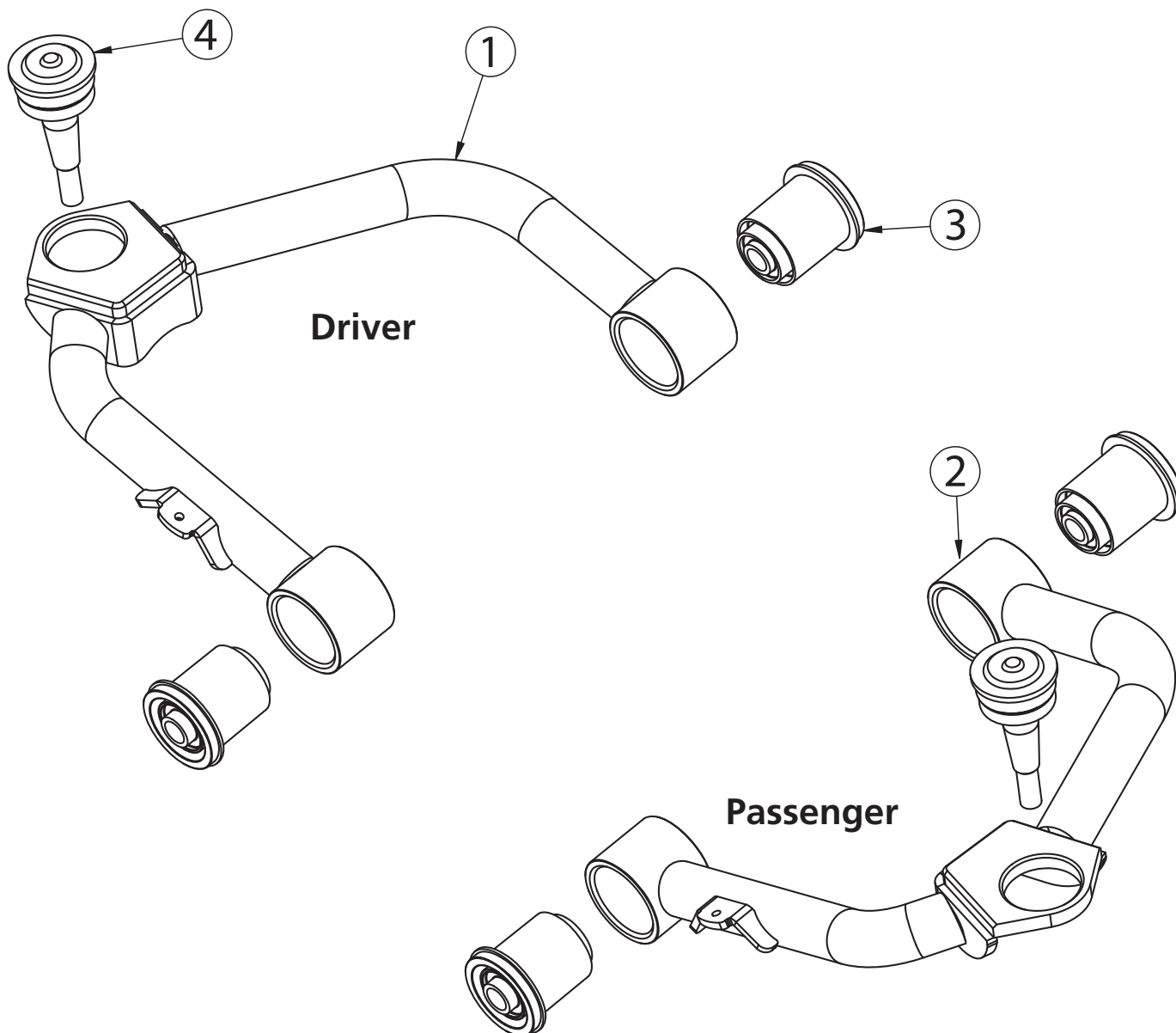
HARDWARE LIST Kit # 99010214

Item #	Part Number	Description	QTY
	LOWER MOUNT		
12	99431033	7/16"-14 x 2 1/4" Hex Bolt	4
13	99432010	7/16"-14 Nylok Nut	4
14	99433005	7/16" SAE Flat Washer	8
	UPPER MOUNT		
15	99371005	3/8"-16 x 1 1/4" Hex Bolt	6
16	99372001	3/8"-16 Nylok Nut	6
17	99373002	3/8" SAE Flat Washer	12
	SHOCK TO SHOCK MOUNTS		
18	99501064	1/2"-13 x 2 3/4" Hex Bolt	4
19	99502009	1/2"-13 Nylok Nut	4
20	99503014	1/2" SAE Flat Washer	8



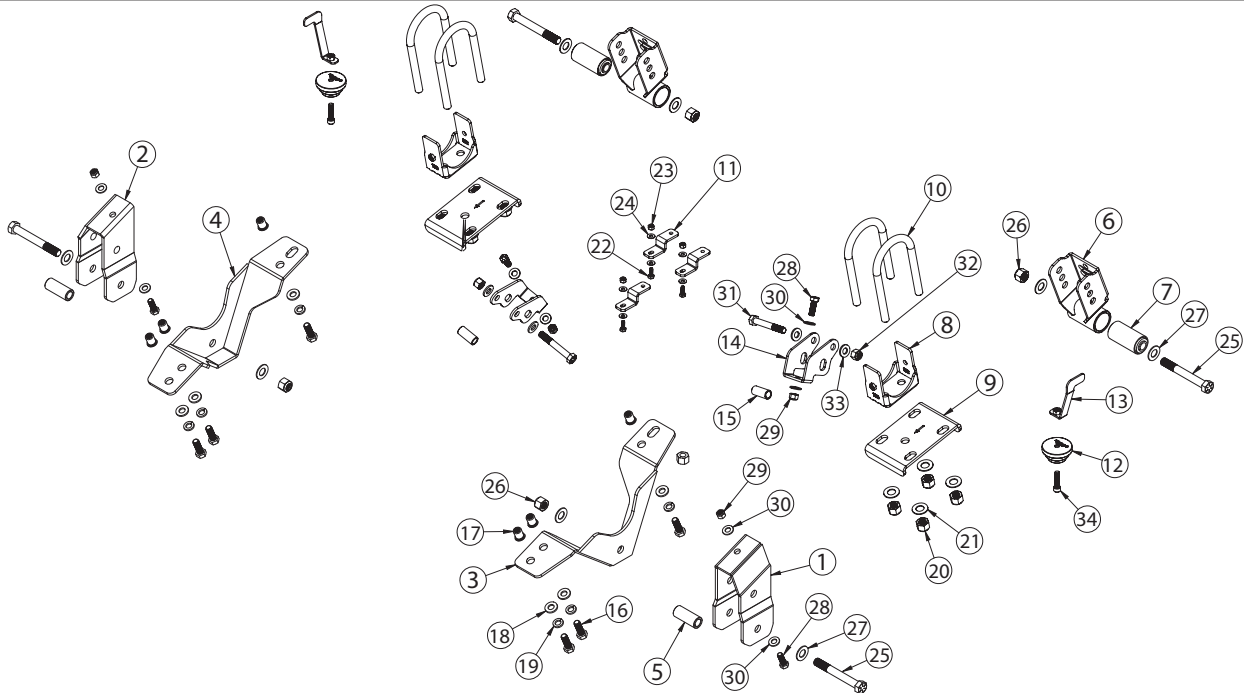
Upper Control Arm ComponentsIn the box

Item #	Part Number	Description	QTY
1	90003459	Driver Upper Control Arm	1
2	90003460	Passenger Upper Control Arm	1
3	90003269	Upper Control Arm Bushing - Tenneco MB05B714620	4
4	70016040	Upper Ball Joints - Proforged 101-10502/Moog K500340	2



Part # 11729511 - 2019 up GM 1/2 Ton Axle Flip Kit

Major ComponentsIn the box



Item #	Part #	Description	QTY
1	90003438	Leaf Spring Front Drop Bracket - Driver	1
2	90003439	Leaf Spring Front Drop Bracket - Passenger	1
3	90003440	Leaf Spring Frame Brace - Driver	1
4	90003441	Leaf Spring Frame Brace - Passenger	1
5	90003442	Leaf Spring Mount Spacer, 656" ID x 1.00" OD x 2.43 Long	2
6	90003443	Rear Shackle	2
7	70015559	Shackle Bushing - installed in shackle	2
8	90003444	Leaf Spring Flip Bracket	4
9	90001366	Leaf Spring Clamp Plate	2
10	99626004	U-Bolt, 3.375"W x 7.00"L x 5/8"-18	4
11	90003445	Differential Harness Relocation Bracket	3
12	70015643	Bump Stop	2
13	90003446	Bump Stop Nut Plate	2
14	90003447	Rear Shock relocation Bracket	2
15	90003474	Sleeve, .558" ID x .75" OD x 1.67 Long	2
	90003448	1/2" Riv-Nut Tool	1
11729511 KIT SHOCKS (Shock are NOT included with 11729512 Kit)			
	986-10-806	6.3" Travel Single Adjustable Shock	2
	815-05-022-KIT	1.7" Shock Eyelet	2
	90001994	Shock Bearing, .625" D - installed in shock	4
	90001995	Internal Snap Ring - installed in shock	8
	90003449	Shock Bearing Spacer - .500" ID x .81" Spaced Length	4
	90003473	Shock Bearing Spacer - 14mm" ID x .588" Spaced Length	4

Hardware Kit #99010215In the box

Item #	Part Number	Description	QTY	QTY	Part Number	Description	QTY
FRAME BRACE				REAR SHACKLE			
16	99501053	1/2-13 x 1 1/2" Hex Bolt	6	25	99621007	5/8-18 x 5" Hex Bolt	2
17	99502024	1/2" -13 Riv-Nut	6	26	99622001	5/8-18 Nylok Nut	2
18	99503014	1/2" SAE Flat Washer	6	27	99623001	5/8" SAE Flat Washer	4
19	99503015	1/2" Split Lock Washer	6	FRONT LEAF MOUNT			
U-BOLT				28	99431021	7/16-14 X 1 1/4" Hex Bolt	2
20	99622001	5/8-18 Nylok Nut	8	29	99432010	7/16-14 Nylok Nut	2
21	99623001	5/8" SAE Flat Washer	8	30	99433005	7/16 SAE Flat Washer	4
DIFF HARNESS BRACKETS				REAR SHOCK MOUNT			
22	99253003	1/4-20 x 3/4" Hex Bolt	3	28	99431021	7/16-14 X 1 1/4" Hex Bolt	2
23	99252003	1/4-20 Nylok Nut	3	29	99432010	7/16-14 Nylok Nut	2
24	99253008	1/4" SAE Flat Washer	6	30	99433005	7/16 SAE Flat Washer	4
FRONT LEAF EYE				31	99501005	1/2-13 x 3 1/2" Hex Bolt	2
25	99621007	5/8-18 X 5" Hex Bolt	2	32	99502009	1/2-13 Nylok Nut	2
26	99622001	5/8-18 Nylok Nut	2	33	99503014	1/2" SAE Flat Washer	4
27	99623001	5/8" SAE Flat Washer	4	BUMP STOP			
	90002263	Red Loctite	1	34	99371019	3/8-16 x 1 1/2" Socket Head	2