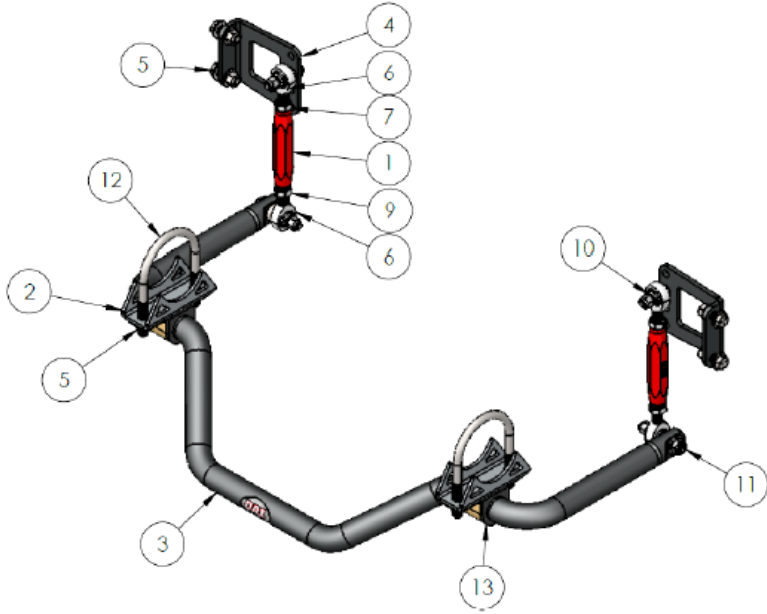


| BALLOON # | ITEM # | DESCRIPTION | QTY. |
|-----------|----------|--------------------------------------|------|
| 1 | 9033-459 | SLEEVE, .875"HEX ALUMINUM ANODIZED | 2 |
| 2 | 9037-628 | BRACKET, AXLE SADDLE MOUNT, 3 INCH | 2 |
| 3 | 9037-677 | SWAY BAR, REAR 1 1/4", BLACK | 1 |
| 4 | 9037-701 | PLATE, SWAY BAR MOUNT | 2 |
| 5 | 7039-228 | HARDWARE KIT, REAR SWAY BAR | 1 |
| 6 | XMR8 | ROD END (X) ENDURA ALLOY HT | 2 |
| 7 | JNR8S | Jam Nut, Right Hand Thread | 2 |
| 8 | XML8 | ROD END (X) ENDURA ALLOY HT | 2 |
| 9 | JNR8S | Jam Nut, Left Hand Thread | 2 |
| 10 | SG8-64 | High Misalignment Spacer, SS | 6 |
| 11 | 9029-309 | HIGH MISALIGNMENT STUD | 2 |
| 12 | 9012-204 | U-BOLT, 7/16-20 X 3.125" X 4.5" | 2 |
| 13 | 9032-171 | BUSHING, SWAY BAR FRAME MOUNT 1-1/4" | 2 |



| HARDWARE KIT, REAR SWAY BAR, 67-72 FORD F100 | |
|--|------|
| 1st Description | Qty. |
| BOLT, 3/8-16 X 2.5" | 2 |
| NUT, NYLOCK, 3/8-16 | 2 |
| WASHER, SAE, 3/8 | 2 |
| BOLT, 7/16-14 X 1.25" | 4 |
| NUT, NYLOCK, 7/16-14 | 4 |
| WASHER, SAE, 7/16 | 12 |
| WASHER, SAE, 1/2 | 2 |
| NUT, NYLOCK, THIN JAM, 1/2-20 | 2 |