



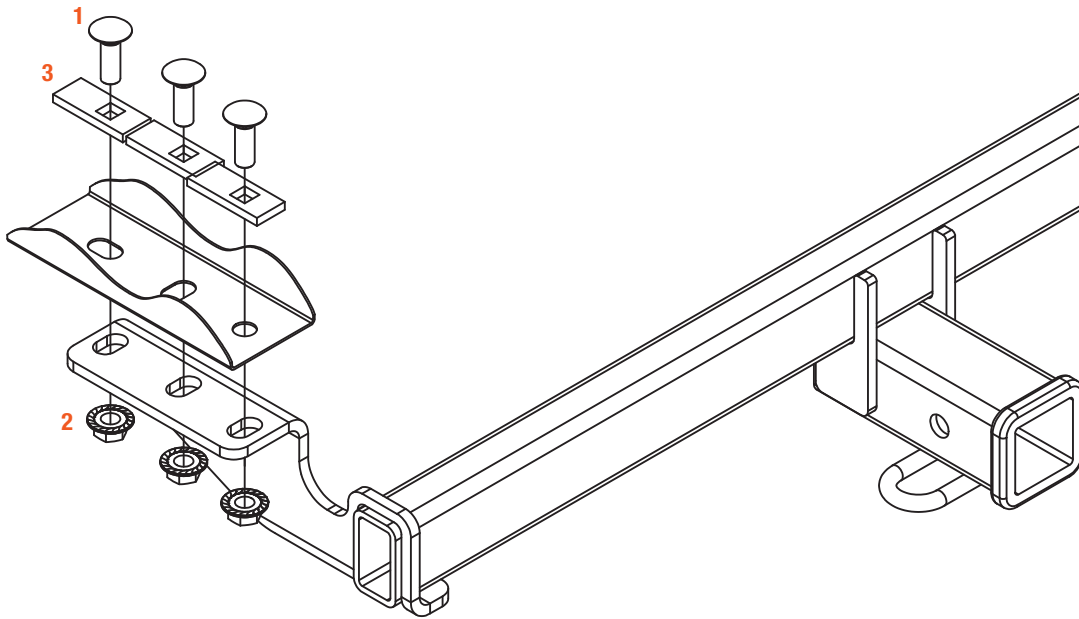
## BREAKDOWN OF INCLUDED ITEMS

### 229-13474

#### Parts List

Item	Qty	Description
1	6	Carriage bolt, 1/2"-13 x 1-1/2", grade 8
2	6	Serrated-flange nut, 1/2"-13
3	6	Spacer, 1/4" x 1" x 2-1/2"
4	6	Fishwire, 1/2"

Driver-side  
frame rail



Passenger-side  
frame rail

