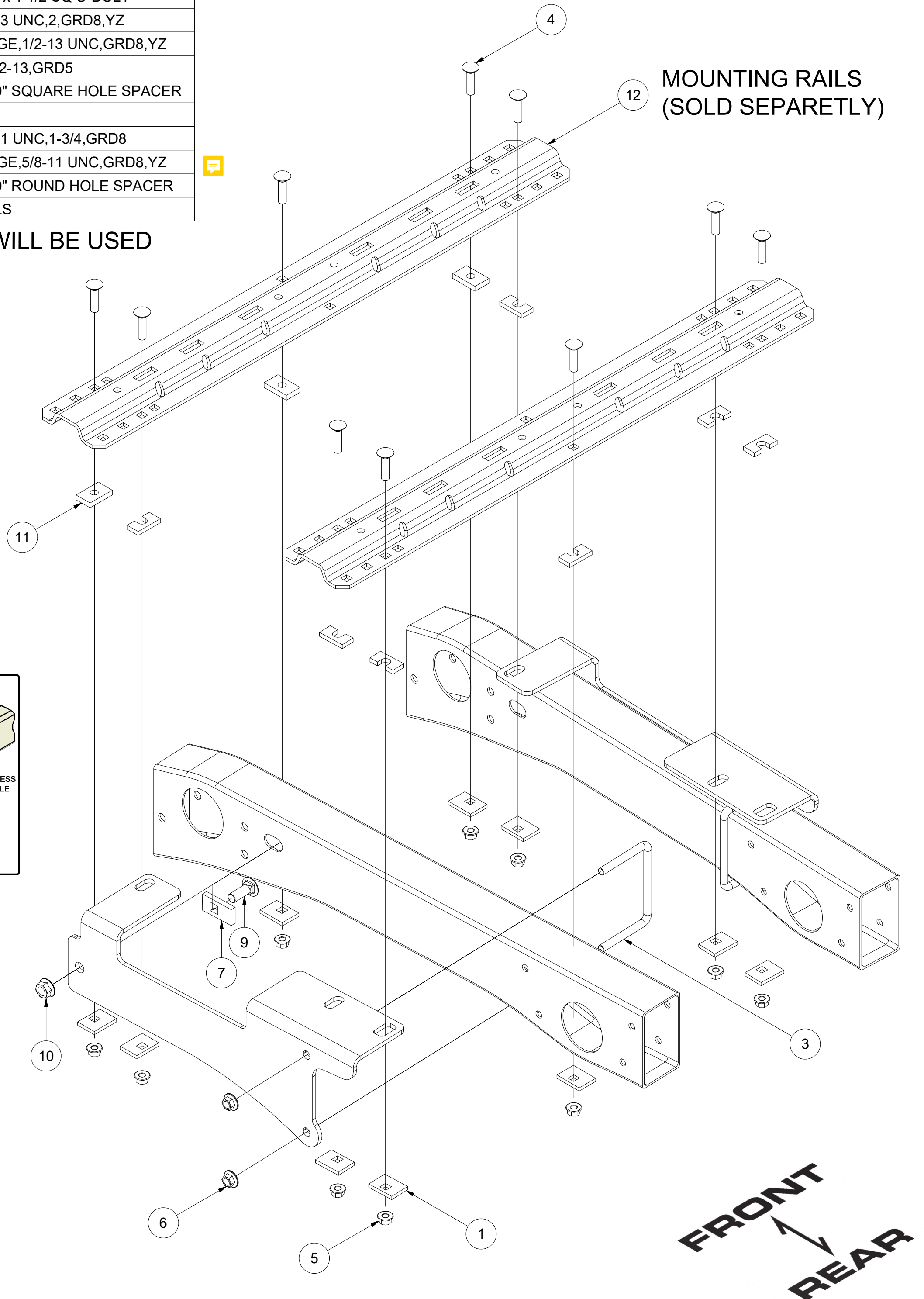


*****DO NOT EXCEED VEHICLE MANUFACTURER'S RECOMMENDED TOWING CAPACITY.*****

HAVING INSTALLATION QUESTIONS? CALL TECHNICAL SUPPORT AT 1-800-798-0813

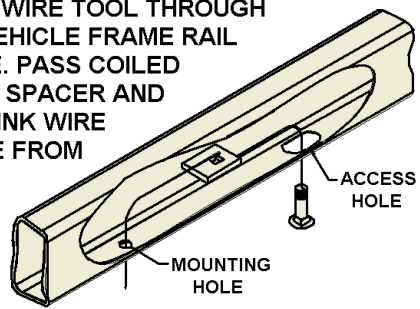
Parts List			
ITEM	QTY	PART NUMBER	DESCRIPTION
1	10	CM-SP33	.250 x 1.50 x 2.00" SQUARE HOLE SPACER
2	7	CM-SP136	.313" x 1.00 x 2.00" U-SHAPE SPACER
3	2	CM-1208-UBS	1/2-13 x 4 1/8 x 6 x 1 1/2 SQ U-BOLT
4	10	10-10288	BOLT, CAR, 1/2-13 UNC, 2, GRD8, YZ
5	10	20-00062	NUT, SER-FLANGE, 1/2-13 UNC, GRD8, YZ
6	4	20-00005	NUT, FLANGE, 1/2-13, GRD5
7	2	CM-SP9	.375 x 1.25 x 2.50" SQUARE HOLE SPACER
8	2	5_8 FISHWIRE	5/8" FISHWIRE
9	2	10-10118	BOLT, CAR, 5/8-11 UNC, 1-3/4, GRD8
10	2	20-00105	NUT, SER-FLANGE, 5/8-11 UNC, GRD8, YZ
11	3	CM-SP56	.375 x 1.25 x 2.00" ROUND HOLE SPACER
12	2	CM-16200-MR	MOUNTING RAILS

NOTE: NOT ALL HARDWARE WILL BE USED



FISHWIRE TECHNIQUE

INSERT COILED END OF FISHWIRE TOOL THROUGH HITCH MOUNTING HOLE IN VEHICLE FRAME RAIL AND OUT THE ACCESS HOLE. PASS COILED END OF FISHWIRE THROUGH SPACER AND THREAD BOLT INTO COIL. KINK WIRE TO KEEP SPACER SEPARATE FROM BOLT AS SHOWN. PULL FISHWIRE, SPACER, AND BOLT THROUGH FRAME AND OUT MOUNTING HOLE. USE FISHWIRE TO GUIDE HITCH DURING MOUNTING AND PREVENT LOSS OF BOLT / SPACER INSIDE FRAME RAIL.



NOTE: SOME VEHICLES MAY FISHWIRE THROUGH END OF FRAME

TOOLS REQUIRED

RATCHET
3" & 6" SOCKET EXTENSION
TORQUE WRENCH
CRESCENT WRENCH
3/4" BOX END WRENCH
13mm, 24mm, 3/4", 15/16" SOCKETS
DRILL
1/8" AND STEP DRILL BITS
SAFETY GLASSES

HITCH WEIGHT: 26 LBS.

INSTALL TIME

PROFESSIONAL: 40 MINUTES

NOVICE (DIY): 80 MINUTES

INSTALL NOTES:

- FISHWIRE HARDWARE
- NO DRILLING REQUIRED

PERIODICALLY CHECK THIS RECEIVER HITCH TO ENSURE THAT ALL FASTENERS ARE TIGHT AND THAT ALL STRUCTURAL COMPONENTS ARE SOUND.

Curt Manufacturing Inc., warrants this product to be free of defects in material and/or workmanship at the time of retail purchase by the original purchaser. If the product is found to be defective, Curt Manufacturing Inc., may repair or replace the product, at their option, when the product is returned, prepaid, with proof of purchase. Alteration to, misuse of, or improper installation of this product voids the warranty. Curt Manufacturing Inc.'s liability is limited to repair or replacement of products found to be defective, and specifically excludes liability for incidental or consequential loss or damage.