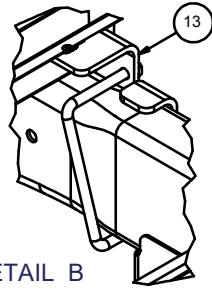
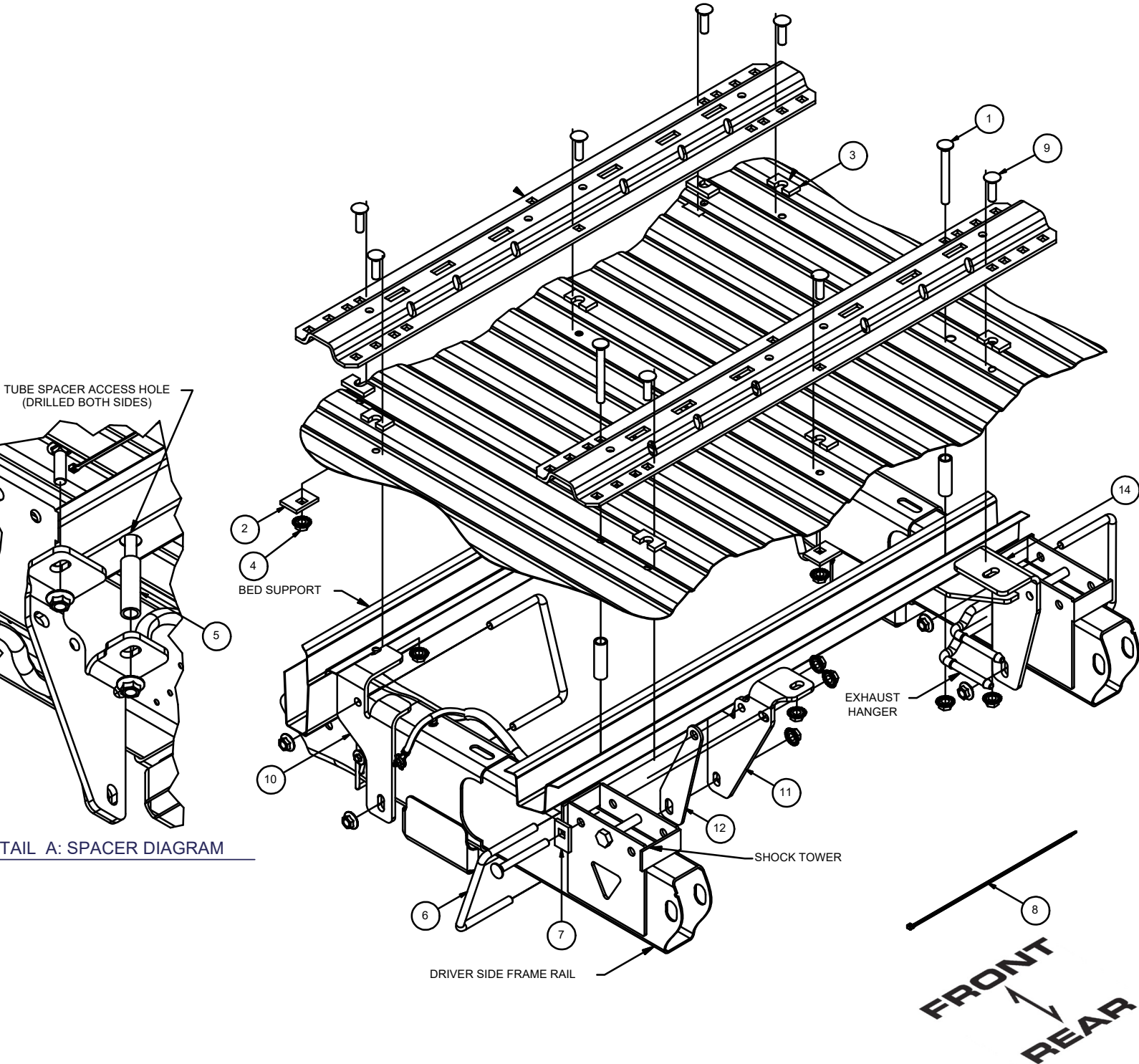


Parts List				Parts List			
ITEM	QTY	PART NUMBER	DESCRIPTION	ITEM	QTY	PART NUMBER	DESCRIPTION
1	3	10-10297	BOLT, CAR, 1/2-13 UNC, 4-1/2, GRD8, YZ	10	1	16430-DSF	DRIVER SIDE FRONT BRACKET
2	4	CM-SP33	.250 x 1.50 x 2.00" SQUARE HOLE SPACER	11	1	16430-DSR	DRIVER SIDE REAR BRACKET
3	8	CM-SP136	.313" x 1.00 x 2.00" U-SHAPE SPACER	12	1	16430-DSRS	DRIVER SIDE REAR SPACER PLATE
4	19	20-00062	NUT, SER-FLANGE, 1/2-13 UNC, GRD8, YZ	13	1	16430-PSF	PASSENGER SIDE FRONT BRACKET
5	2	16430-TS	TUBE SPACER	14	1	16430-PSRWA	PASSENGER SIDE REAR BRACKET
6	4	CM-1214-UBS	1/2-13 x 4.5 x 7.25 x 1 3/4 SQ U-BOLT	11	1	A-COAT	A-COAT APPLIED (NOT SHOWN)
7	1	CM-SP3	.250 x 1.25 x 2.00" SQUARE HOLE SPACER				
8	1	CM-116415-CT	CABLE TIE 11/64 X 15" 50# UV BLACK				
9	8	10-10272	BOLT, CAR, 1/2-13 UNC, 1-3/4, GRD8, YZ				



DETAIL B



TUBE SPACER ACCESS HOLE
(DRILLED BOTH SIDES)

BED SUPPORT

EXHAUST
HANGER

SHOCK TOWER

DRIVER SIDE FRAME RAIL

FRONT
↑
REAR

DETAIL A: SPACER DIAGRAM