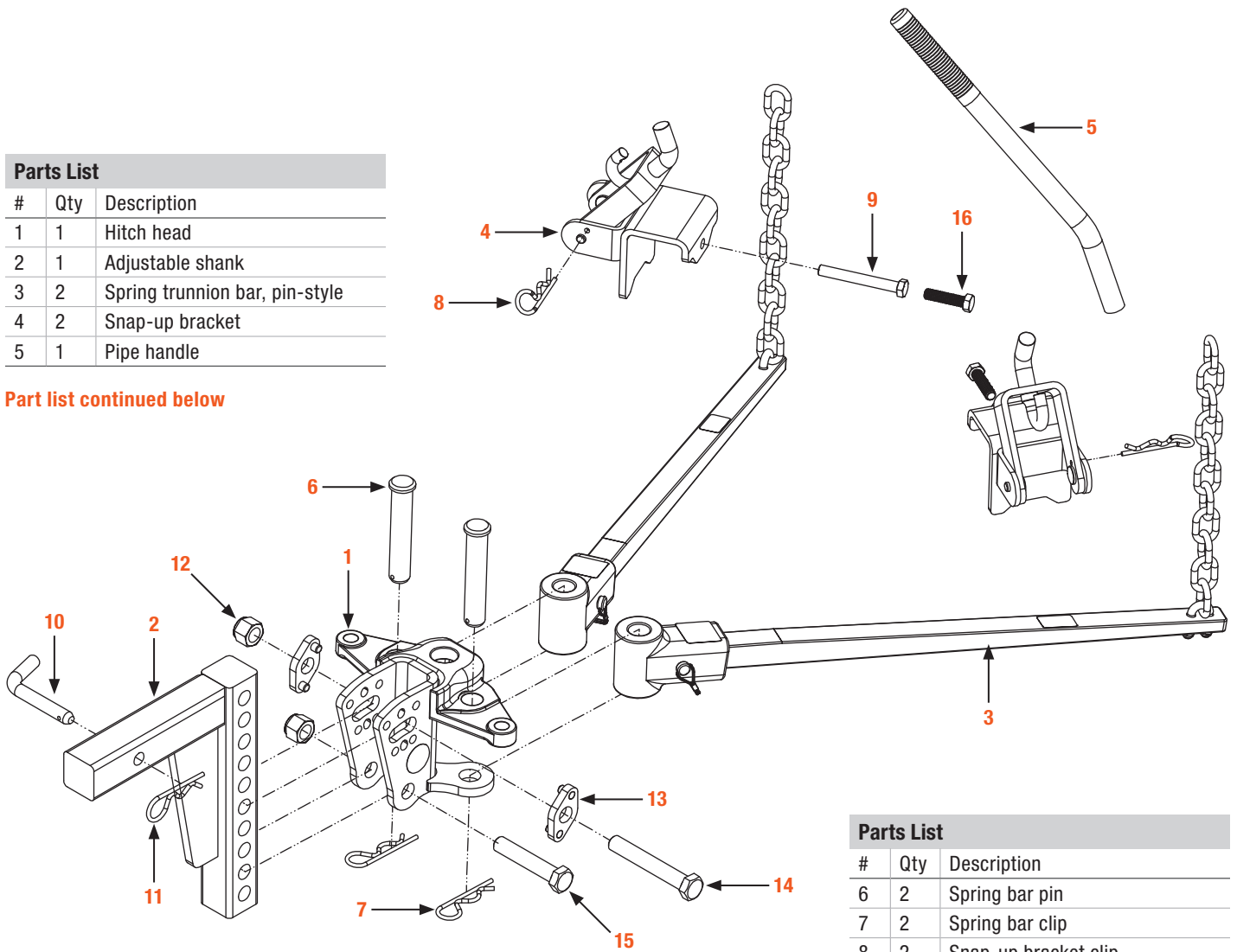


Parts List

#	Qty	Description
1	1	Hitch head
2	1	Adjustable shank
3	2	Spring trunnion bar, pin-style
4	2	Snap-up bracket
5	1	Pipe handle

Part list continued below



Parts List

#	Qty	Description
6	2	Spring bar pin
7	2	Spring bar clip
8	2	Snap-up bracket clip
9	4	Hex bolt, 1/2" - 13 x 4" long
10	1	Hitch pin
11	1	Hitch pin clip
12	2	Nylock nut, 3/4" - 10
13	2	Head tilt spacer
14	1	Hex bolt, 3/4" - 10 x 5" long
15	1	Hex bolt, 3/4" - 10 x 4" long
16	2	Hex bolt, 1/2" - 13 x 2" long