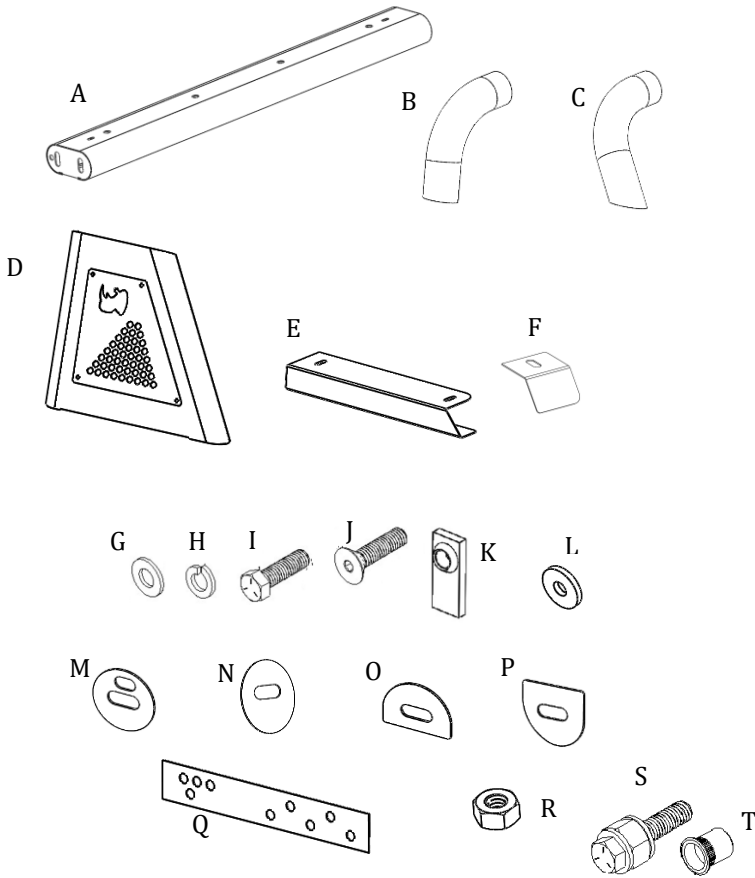


# PARTS INCLUDED IN THIS LIST:



SPORTBAR 3.0		
ITEM	QTY	DESCRIPTION
A	1	CENTRAL BODY
B	2	FRONT TUBE
C	2	REAR TUBE
D	2	LATERAL BODY
E	2	MOUNTING BASE
F	2	COVER PLATE
G	12	3/8" FLAT WASHER
H	16	3/8" LOCK WASHER
I	12	3/8" HEX HEAD BOLT
J	4	3/8" FLAT HEX BOLT
K	4	3/8" BOLT PLATE
L	8	1/4" METAL SPACER
M	6	CENTRAL BODY SPACER
N	2	REAR TUBE SPACER
O	2	LOWER FRONT SPACER
P	2	LOWER REAR SPACER
Q	2	MOUNTING BASE SPACER
R	4	3/8" NUT
S	1	RIVET NUT INSTALL TOOL