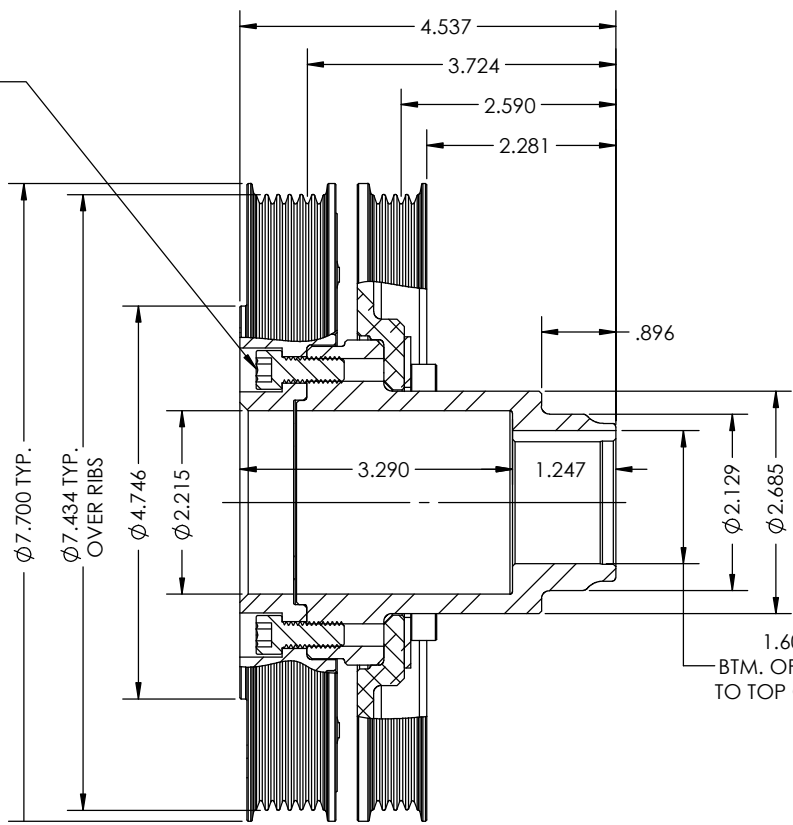


5/16-24 UNF SHCS
 6 PLCS, EQ. SPACED
 ON $\phi 3.200$ B.C.
 TO ATTACH DAMPER
 RING TO HUB



5/16-24 UNF SHCS
 6 PLCS, EQ. SPACED
 ON $\phi 3.310$ B.C.
 TO ATTACH PULLEY
 TO HUB

