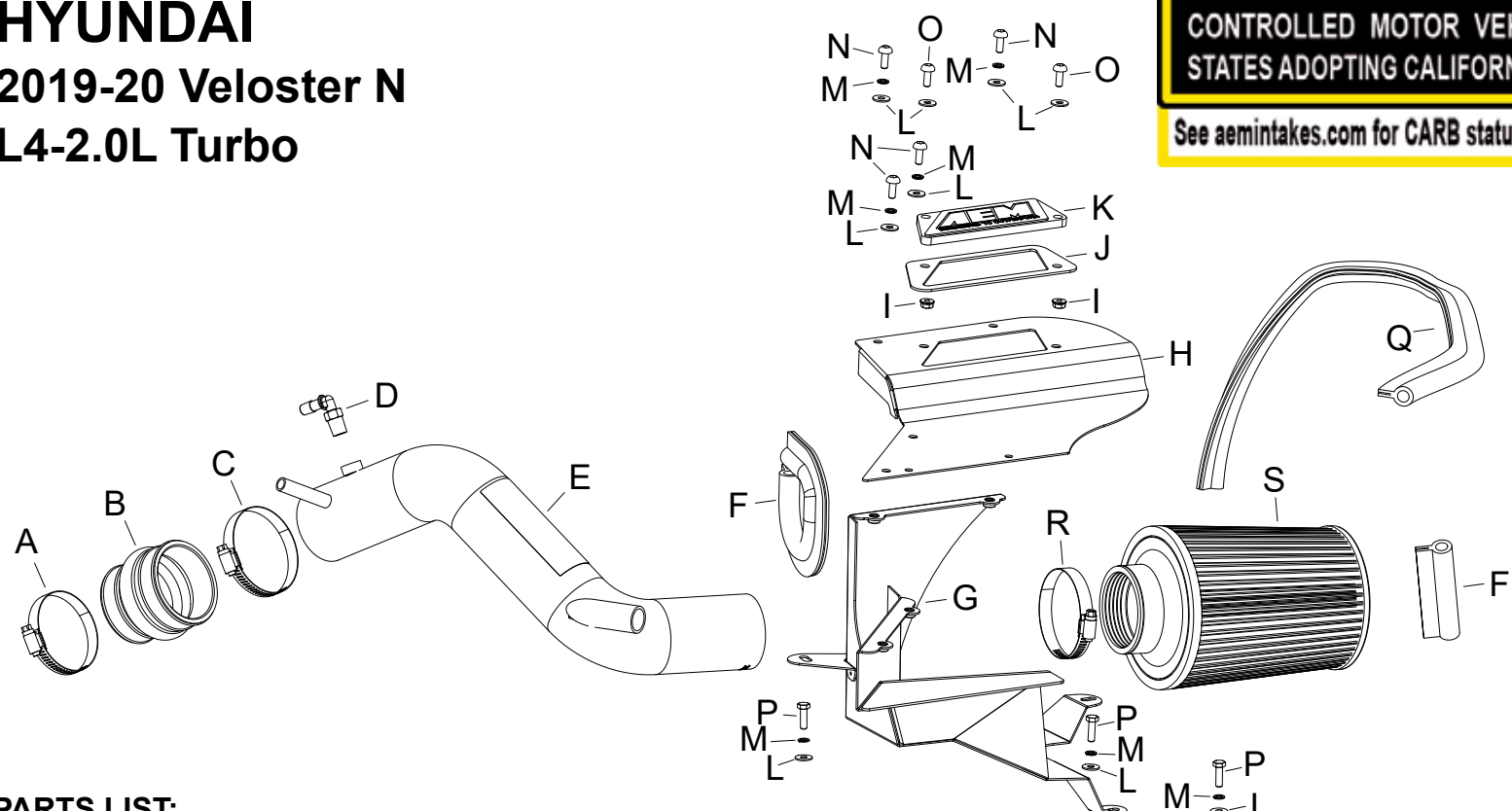




21-873C
HYUNDAI
2019-20 Veloster N
L4-2.0L Turbo

NOT LEGAL FOR SALE OR USE ON ANY POLLUTION CONTROLLED MOTOR VEHICLE IN CALIFORNIA OR STATES ADOPTING CALIFORNIA EMISSION PROCEDURES.
 See aemintakes.com for CARB status on each part for a specific vehicle



TOOLS NEEDED:

- Ratchet
- Extension universal
- 5/16" socket
- 10mm socket
- 4mm allen key
- 9/16" wrench
- Flat blade screw driver

PARTS LIST:

Description	Qty.	Part #	Description	Qty.	Part #	Description	Qty.	Part #
A HOSE CLAMP #40	1	08554	H HEAT SHIELD LID	1	073299	O BOLT; M6 X 1.00 X 16MM, SS	2	07730
B HOSE; HUMP 2.5"/2.75" X 3"	1	5-1067	I NUT; M6, HEX, SERRATED	2	444.460.04	P BOLT; 6MM-1.00 X 16MM, SS	3	07812
C HOSE CLAMP #44 STAINLESS	1	08560	J SPACER; ALUM, AEM-8-211	1	7-364	Q EDGE TRIM (20")	1	102494A
D FITTING; VENT 1/4NPT, 90DEG.	1	08523	K PLATE; AEM LOGO, CLEAR	1	8-211	R 1/2" BNDHOSE CLAMP, 2.56"	1	9448
E INTAKE TUBE	1	25830C	L WASHER; 6MM FLAT, SS	9	08269	S FILTER	1	21-2027DK
F EDGE TRIM (35")	1	102471A	M WASHER, M6 SPLIT LOCK ZINC	7	1-3025			
G HEAT SHIELD	1	073298	N BOLT; M6 X 1.00" 12MM, SS	4	07794			