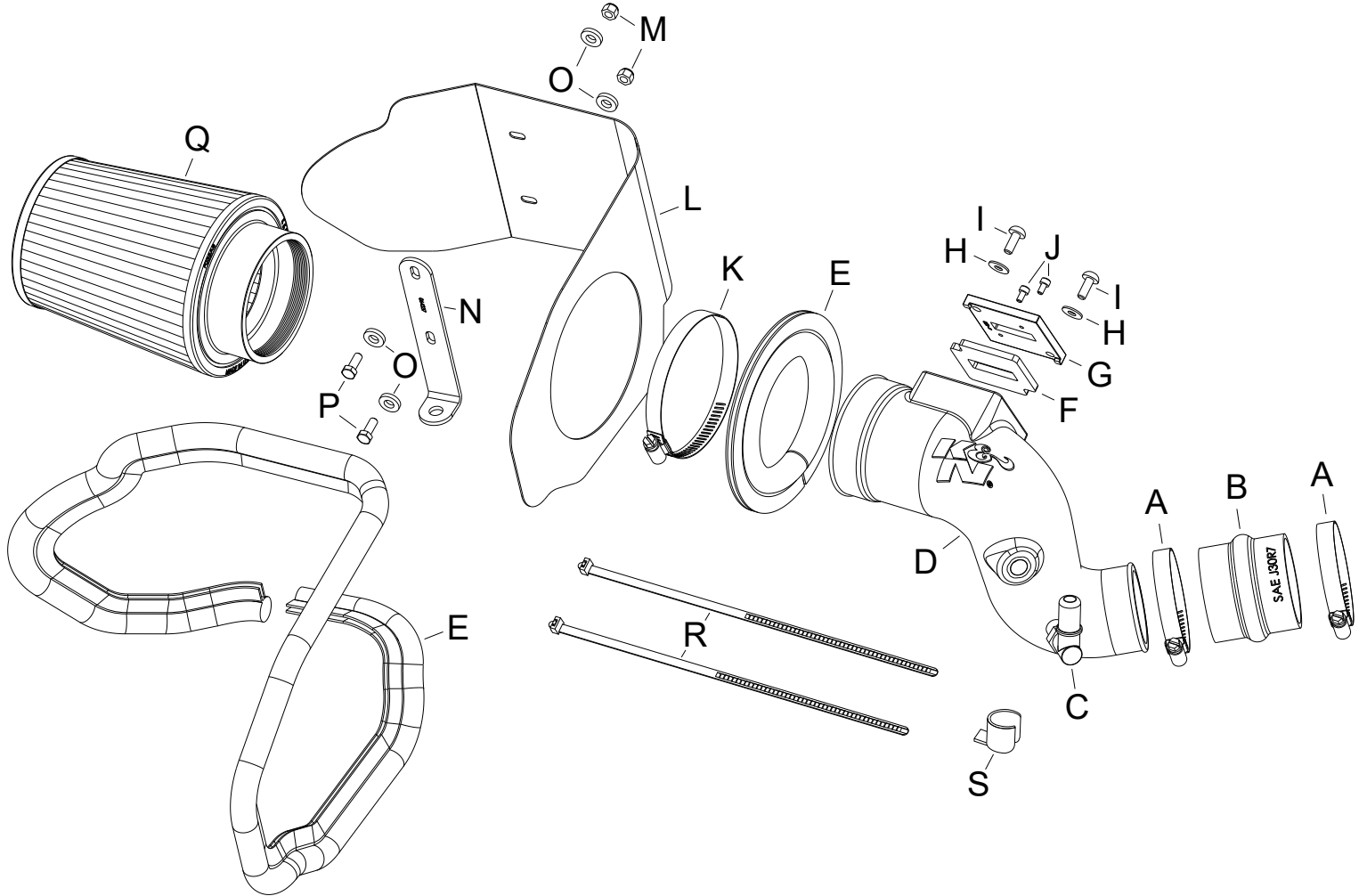




INTAKE SYSTEMS FOR VEHICLES LISTED ARE 50 STATE LEGAL. SEE KNFILTERS.COM FOR CARB STATUS ON EACH PART FOR A SPECIFIC VEHICLE.

**57-3097**  
**CHEVROLET**  
**2016-17 Malibu**  
**L4-2.0L Turbo**



**PARTS LIST:**

Description	Qty.	Part #	Description	Qty.	Part #	Description	Qty.	Part #
A HOSE CLAMP #40	2	08554	G ADAPTOR; #420, NYLON 6/6 GF	1	21515-1	M NUT; 6MM NYLOCK, HEXHEAD	2	07512
B HOSE; HUMP 2.5"ID X 2.5"L	1	084018	H WASHER; 6MM FLAT	2	08269	N BRACKET; "L"	1	064337
C VENT; 90°, 1/4NPT TO .600"	1	088028	I BOLT; M6 X 1 X 16MM	2	07730	O WASHER; 1/4"ID X 5/8"OD	4	08275
D INTAKE TUBE (LO)	1	087342A	J BOLT; M4 - .7 X 8MM	2	07733	P BOLT; M6-1 X 16MM	2	07812
E EDGE TRIM (66")	1	102472	K HOSE CLAMP #60	1	08624	Q FILTER CHARGER	1	RU-4630
F GASKET; 3/16 PORON	1	09069	L HEAT SHIELD	1	073240	R CABLE TIES; 11" BLACK	2	21590
						S QUICK DISCONNECT TOOL	1	088027