

# 57-9034

## TOYOTA

### 2010-19 4Runner

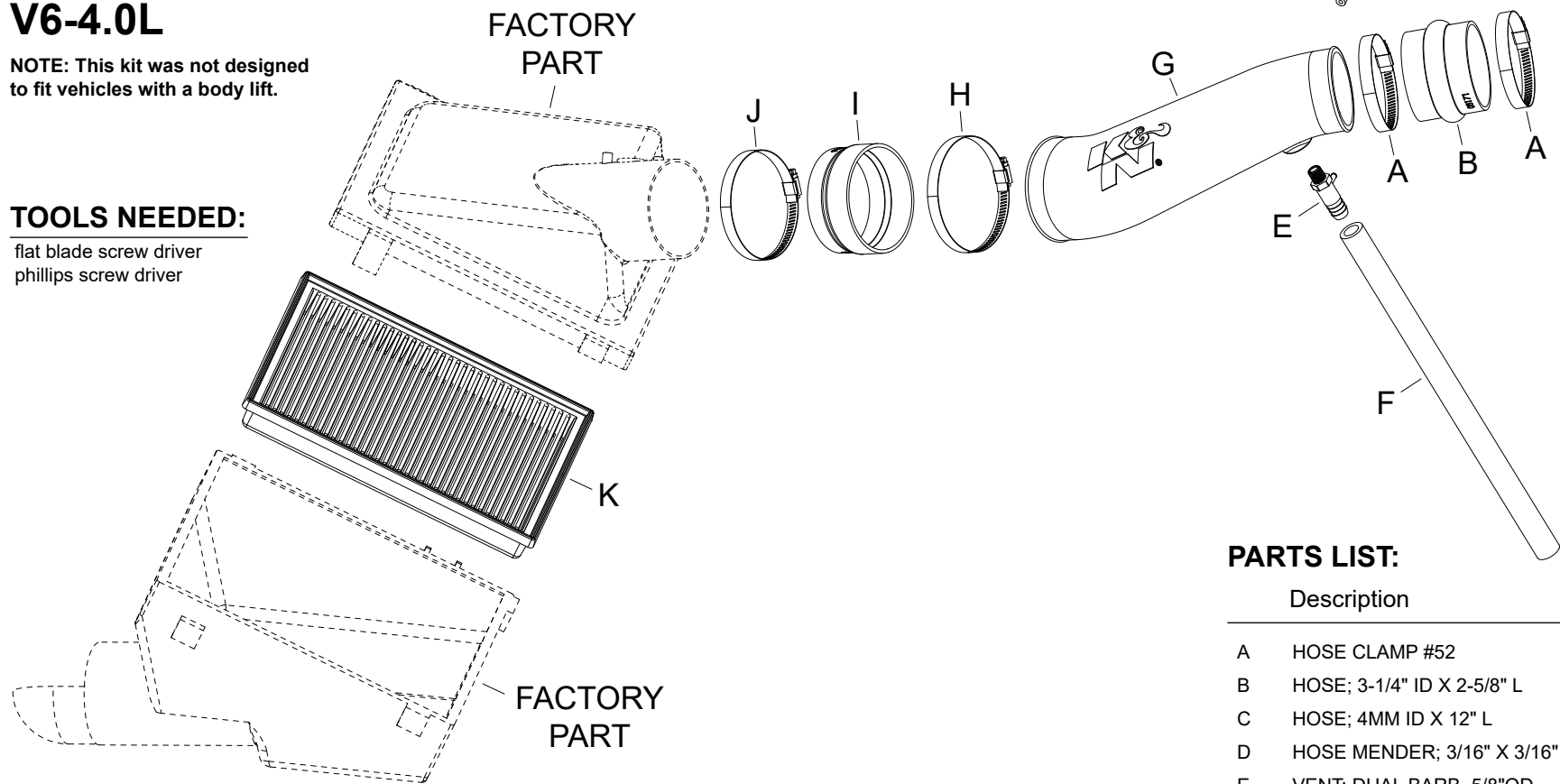
### 2010-14 FJ Cruiser

### V6-4.0L

NOTE: This kit was not designed to fit vehicles with a body lift.

#### TOOLS NEEDED:

flat blade screw driver  
phillips screw driver



#### PARTS LIST:

|   | Description                  | Qty. | Part #  |
|---|------------------------------|------|---------|
| A | HOSE CLAMP #52               | 2    | 08610   |
| B | HOSE; 3-1/4" ID X 2-5/8" L   | 1    | 08171   |
| C | HOSE; 4MM ID X 12" L         | 1    | 08147   |
| D | HOSE MENDER; 3/16" X 3/16"   | 1    | 08703   |
| E | VENT; DUAL BARB, 5/8"OD      | 1    | 088018  |
| F | HOSE; 5/8" ID X 16-1/2"      | 1    | 08482   |
| G | INTAKE TUBE (LM)             | 1    | 087336A |
| H | HOSE CLAMP #64 STAINLESS     | 1    | 08645   |
| I | HOSE; 4" TO 3-13/16" ID X 2" | 1    | 08618   |
| J | HOSE CLAMP #60 STAINLESS     | 1    | 08628   |
| K | FILTER                       | 1    | 33-2438 |