



# AIRCHARGER®

## HIGH-FLOW INTAKE KITS

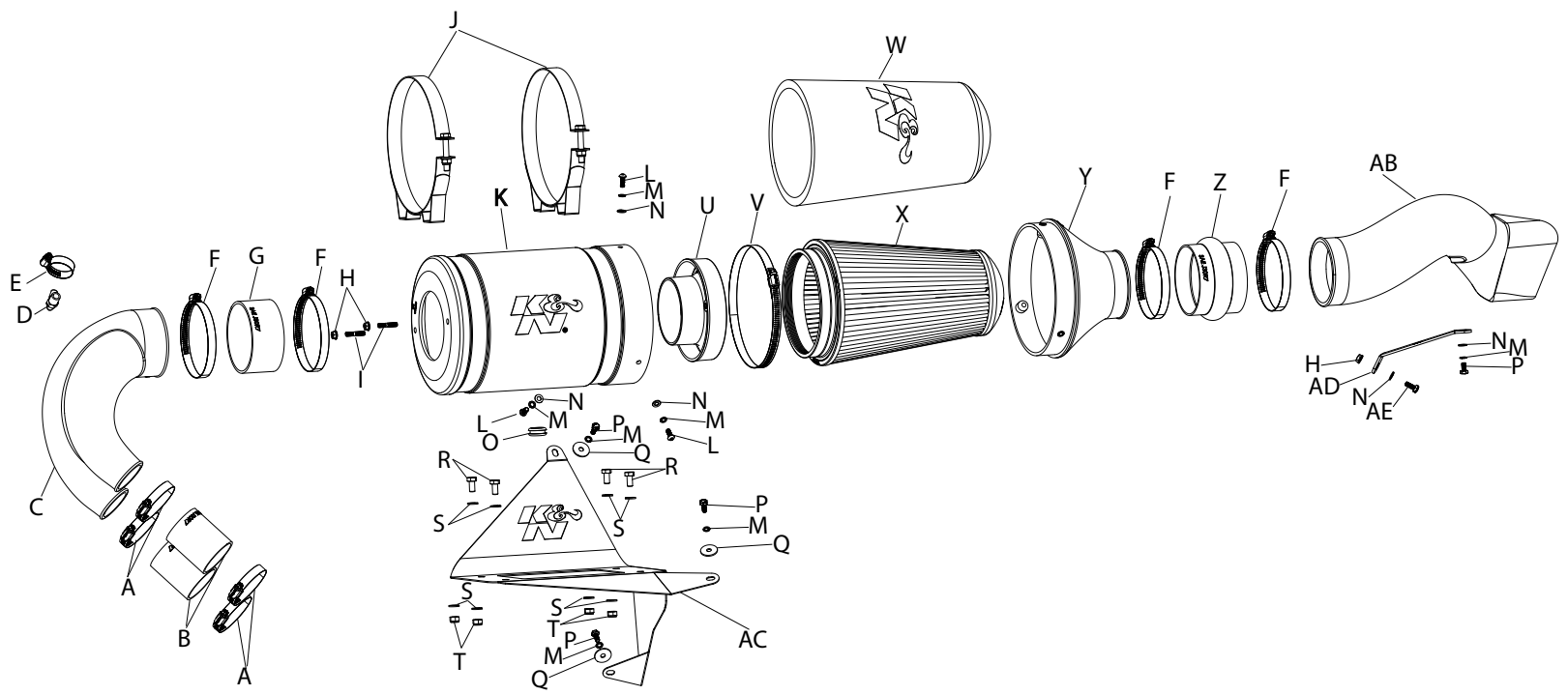
NOT LEGAL FOR SALE OR USE ON ANY POLLUTION CONTROLLED MOTOR VEHICLE IN CALIFORNIA OR STATES ADOPTING CALIFORNIA EMISSION PROCEDURES.  
See knfilters.com for CARB status on each part for a specific vehicle

### INSTALLATION INSTRUCTIONS

**63-1145**  
**HONDA**  
**2019-20 / TALON**  
**1000cc**

**TOOLS NEEDED:**

- 10mm socket
- 13mm socket
- Ratchet
- Extension
- 10mm wrench
- 13mm wrench
- Flat blade Screw driver
- Phillips Screw driver
- 4mm allen key
- Pliers



**PARTS LIST:**

Description	Qty.	Part #	Description	Qty.	Part #	Description	Qty.	Part #
A HOSE CLAMP #36	4	08530	L BOLT; M6 X 1.00 X 16MM	3	07730	W PRE-WRAP; 7-1/2"B	1	973804
B HOSE; 2.25" X 3"	2	5-225	M WASHER; M6 SPLIT LOCK ZINC	7	1-3025	X AIR FILTER	1	RU-5064
C TUBE; AIRCHARGER	1	087495	N WASHER; 6MM FLAT	5	08269	Y LID; UNIVERSAL	1	087326A
D FITTING; VENT, 1/4"NPT	1	08523	O GROMMET; 15/16"OD	1	08100	Z HOSE; HUMP 4"ID X 3"L	1	08418
E HOSE CLAMP #6 MINI	1	08407	P BOLT; M6 X 1.00 X 12MM	4	07727	AB TUBE; FRESH AIR	1	087496
F HOSE CLAMP #64 STAINLESS	4	08645	Q WASHER; 1"D X 1/4" HOLE	3	08160	AC MOUNTING PLATE; MILD STL	1	073313
G HOSE; 4"ID X 2"L	1	08761	R BOLT; 8MM-1.25 X 20MM HEX	4	07787	AD BRACKET; "L"	1	064364
H NUT; M6, HEX, SERRATED	3	444.460.04	S WASHER; 8MM FLAT	8	08272	AE BOLT; 6MM-1.00 X 16MM	1	07812
I STUD; M6-1 X 30 DBL	2	1-107	T NUT; 8MM NYLOCK	4	07502			
J SADDLE CLAMP; 8" DUAL	2	07293	U ADAPTOR; # 454	1	27300			
K CANISTER, LC	1	087328A	V HOSE CLAMP #104	1	08697			