



# AIRCHARGER

## HIGH-FLOW INTAKE KITS

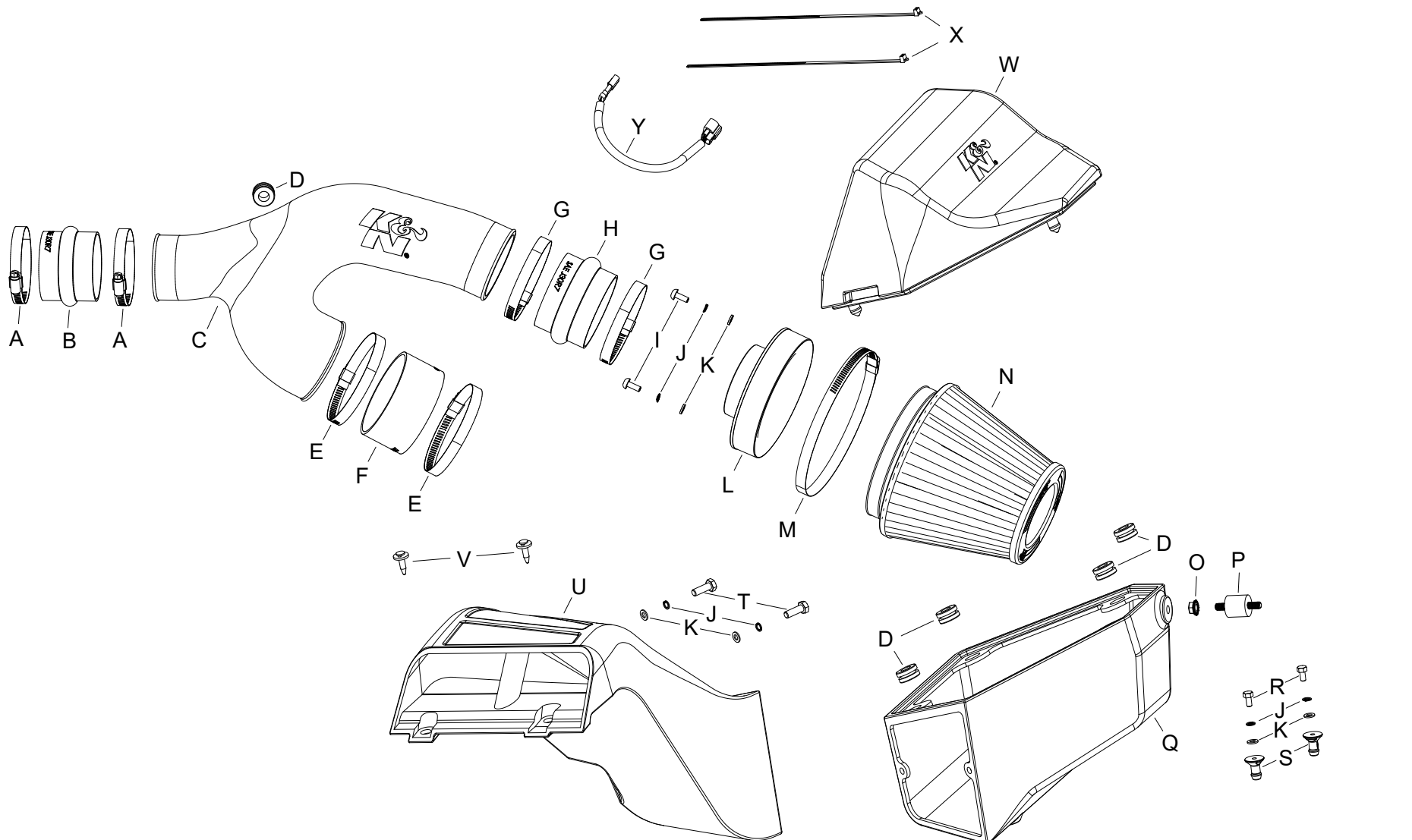
63-2609

FORD

2017-19 F150 / Raptor

V6-3.5L Ecoboost

### PARTS BREAKDOWN



Description	Qty.	Part #	Description	Qty.	Part #	Description	Qty.	Part #
A HOSE CLAMP #48	2	08601	I BOLT; M6 X 1.00 X 16MM, SS	2	07730	Q AIRBOX; FIPK, MJ, XLHDPE	1	087426
B HOSE; 3" ID X 2-1/2" L HUMP	1	087121	J WASHER, M6 SPLIT LOCK ZINC	6	1-3025	R BOLT; M6 X 1.00 X 12MM, SS	2	07727
C INTAKE TUBE (MA)	1	087353A	K WASHER; 6MM FLAT, SS	6	08269	S MOUNT, PLASTIC AIRBOX	2	8-186-1
D GROMMET; 1"OD, 1/2"ID, 1/2"	5	08064	L ADAPTER; UNIVERSAL, 6"	1	21512-1	T BOLT; 6MM-1.00 X 16MM, SS	2	07812
E HOSE CLAMP #64 STAINLESS	2	08645	M HOSE CLAMP; #104	1	08697	U SCOOP; FIPK, ML, XLHDPE	1	087428
F HOSE; 4" ID X 2" L	1	08761	N FILTER CHARGER	1	RF-10420	V CLIP; RETAINER BODY NYLON	2	KITRETCLIP02
G HOSE CLAMP #56	2	08620	O NUT; M8, HEX, SERRATED	1	444.460.08	W LID, FIPK 63-2607, MK, XLHDPE	1	087427
H HOSE; 3-1/2" ID X 2-1/2" L	1	08699	P MOUNT, RUBBER 1" X 8MM	1	1228560	X CABLE TIES; 11" BLACK	2	21590
						Y EXTENSION HARNESS	1	21783