

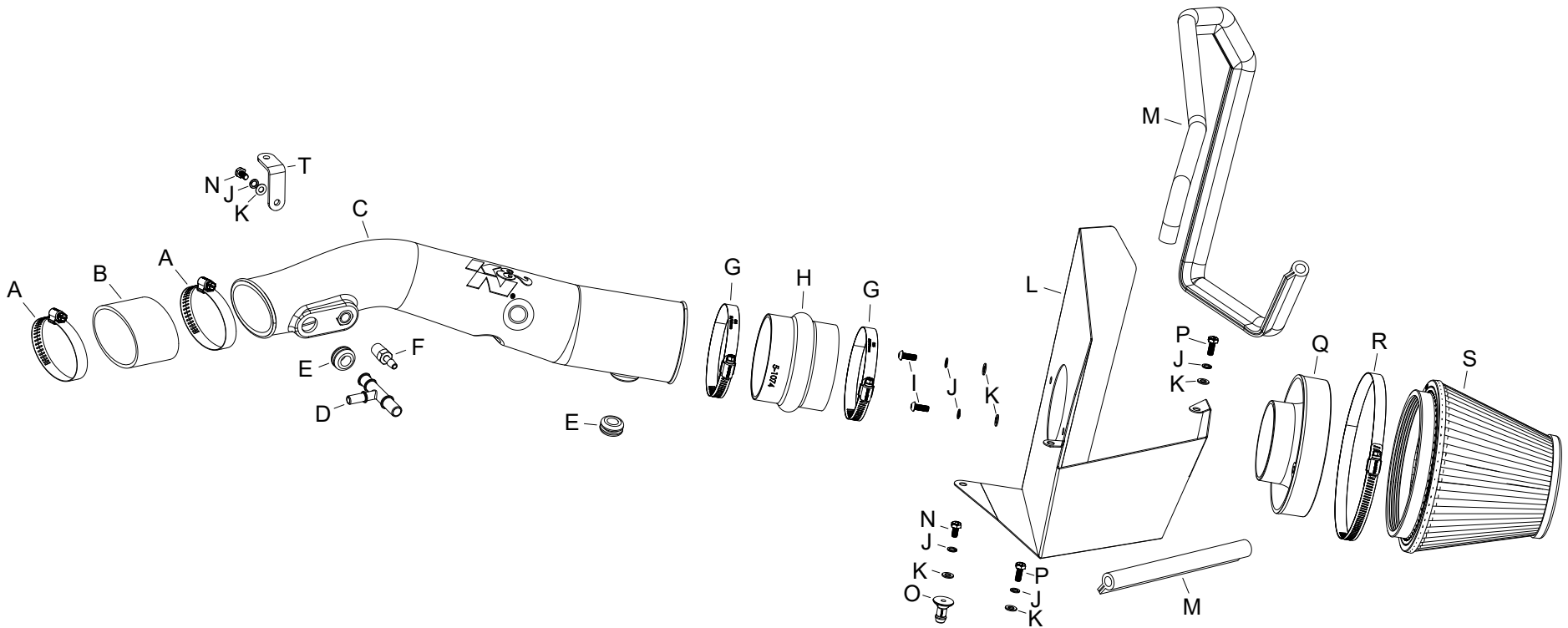


AIRCHARGER®

HIGH-FLOW INTAKE KITS

63-2611
FORD
2017-18 Edge
L4-2.0L Ecoboost

PARTS BREAKDOWN



PARTS LIST:

Description	Qty.	Part #	Description	Qty.	Part #	Description	Qty.	Part #
A HOSE CLAMP; #52	2	08610	H HOSE; HUMP 3.5" X 3"	1	5-1074	O MOUNT, PLASTIC AIRBOX	1	8-186-1
B HOSE; 3.25"ID X 2"L REIN.	1	08690	I BOLT; M6 X 1.00 X 16MM, SS	2	07730	P BOLT; M6 X 1.00" X 20MM HEX	2	07795
C TUBE; AIRCHARGER, XLHDPE	1	087430	J WASHER; M6 SPLIT LOCK ZINC	6	1-3025	Q ADAPTER; UNIVERSAL, 6"	1	21512-1
D VENT; EJECTOR TEE, CCV	1	08529	K WASHER; 6MM FLAT, SS	6	08269	R HOSE CLAMP; #104	1	08697
E GROMMET; 1"OD, 1/2"ID, 1/2"	2	08064	L HEAT SHIELD; 63-2611, MILKD	1	073284	S 6"FLG, 7-1/2"B, 4-1/2"T, 6"H	1	RF-10480
F VENT; STRT, 1/4"HOSE	1	08046	M EDGE TRIM; 3/4" BULB, TOP	1	102480A	T BRACKET; "L", 57-3514, SM	1	08025A
G HOSE CLAMP; #56	2	08620	N BOLT; M6-1.00 X 12MM, SS	2	07727			