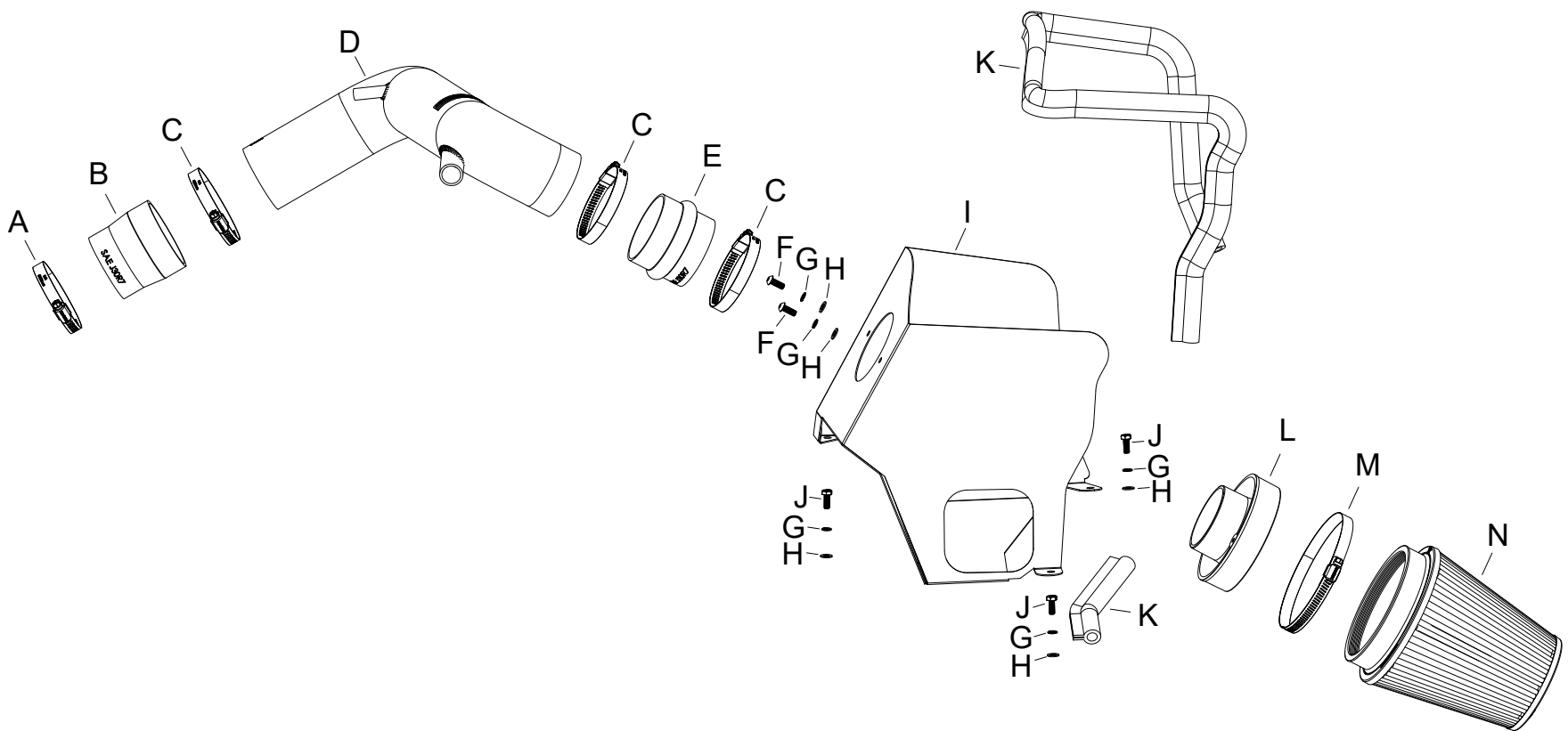




TYPHOON INTAKE SYSTEMS

69-5323TS
HYUNDAI
2019-20 Veloster
L4-1.6L Turbo

PARTS BREAKDOWN



Description	Qty.	Part #	Description	Qty.	Part #	Description	Qty.	Part #
A HOSE CLAMP; #44	1	08577	F BOLT; M6 X 1.00" 16MM, SS	2	07730	K EDGE TRIM; 3/4" BULB, TOP	1	102485A
B HOSE; 3" TO 2.75"ID X 3"L	1	08096	G WASHER; M6 SPLIT LOCK ZINC	5	1-3025	L ADAPTER; FILTER, 3.0"OD	1	21569
C HOSE CLAMP; #48	3	08601	H WASHER; 6MM FLAT, SS	5	08269	M CLAMP; #88, 1/2", SS	1	KITHS88
D TUBE; 3.25"OD X 27"L, AL	1	25828S	I HEAT SHIELD; 69-5323, MILD	1	073296	N 5"FLG, 6-1/2"B, 4-3/8"T, 7"H	1	RU-2800
E HOSE; HUMP 3"ID X 2.5"L	1	087121	J BOLT; M6-1 X 16MM, SS	3	07812			