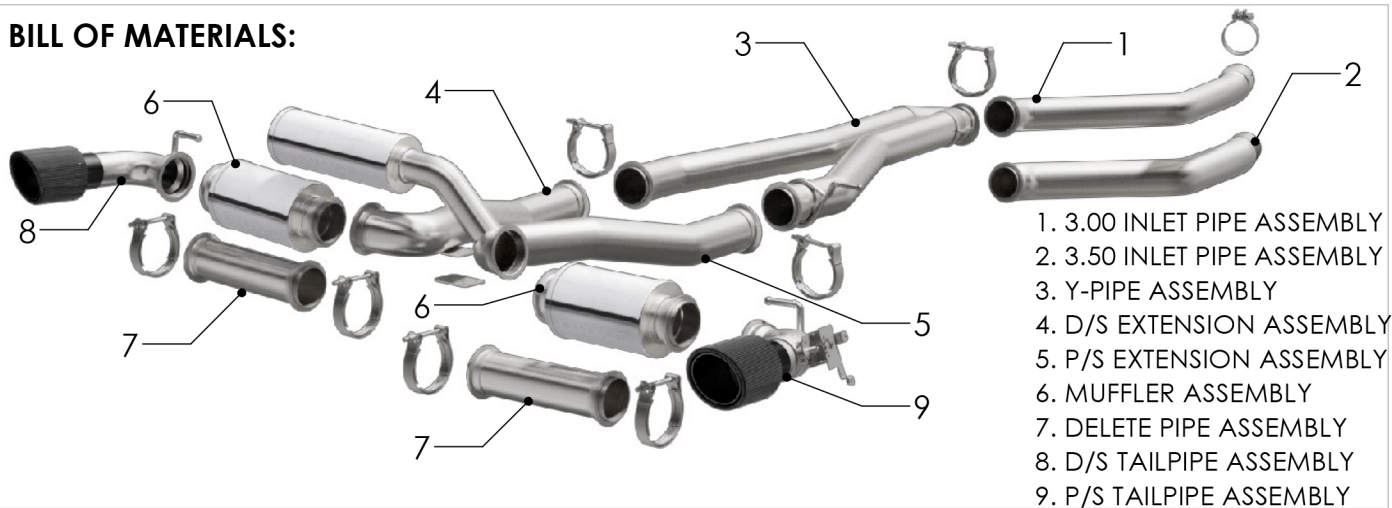




TOYOTA SUPRA 3.0L

PART NO. 19495

**BILL OF MATERIALS:**



- 1. 3.00 INLET PIPE ASSEMBLY
- 2. 3.50 INLET PIPE ASSEMBLY
- 3. Y-PIPE ASSEMBLY
- 4. D/S EXTENSION ASSEMBLY
- 5. P/S EXTENSION ASSEMBLY
- 6. MUFFLER ASSEMBLY
- 7. DELETE PIPE ASSEMBLY
- 8. D/S TAILPIPE ASSEMBLY
- 9. P/S TAILPIPE ASSEMBLY

**HARDWARE KIT:**

- 1.[7] 3.00" V-Clamp
- 2.[1] 3.20 Torca clamp
- 3.[1] MF Bracket
- 4.[4] M6 Bolt
- 5.[4] M6 Nut
- 6.[4] M6 Lock Washer
- 7.[4] M6 Flat Washer