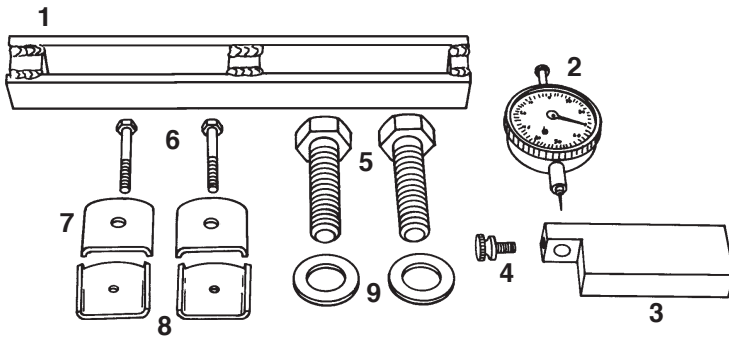




Cylinder Liner Height Gauge

(with hold-down bar)

Parts List



| Item No. | Part No. | No. Req'd | Description |
|----------|----------|-----------|--|
| 1 | 39431 | 1 | Hold-down Bar |
| 2 | 205655 | 1 | Dial Indicator |
| 3 | 39432 | 1 | Gauge Bar |
| 4 | 205715 | 1 | Thumb Screw |
| 5 | 205702 | 2 | Hex Hd. Cap Screws (11/16-16 UN-2A) |
| 6 | 10024 | 2 | Hex Hd. Cap Screws (1/4-20 x 1-3/4 Lg.) |
| 7 | 205653 | 2 | Drilled Spacers |
| 8 | 205652 | 2 | Tapped Spacers |
| 9 | 24826 | 4 | Washers |