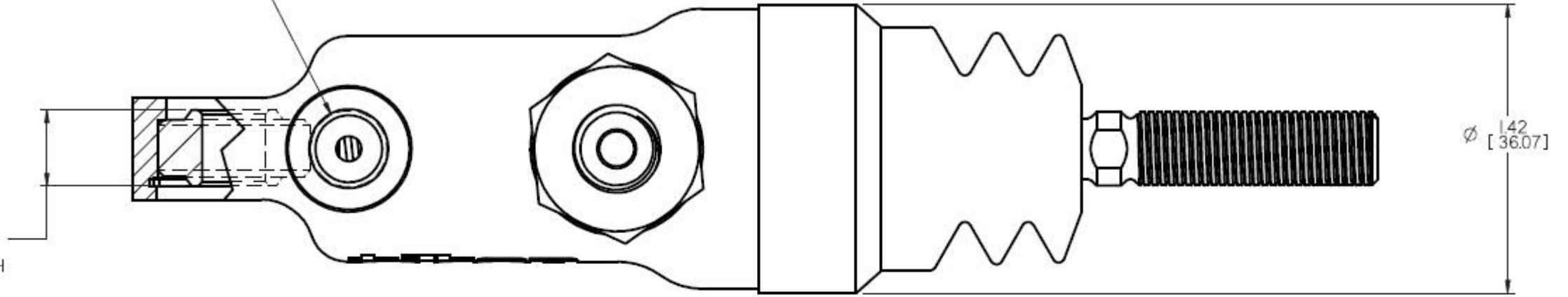


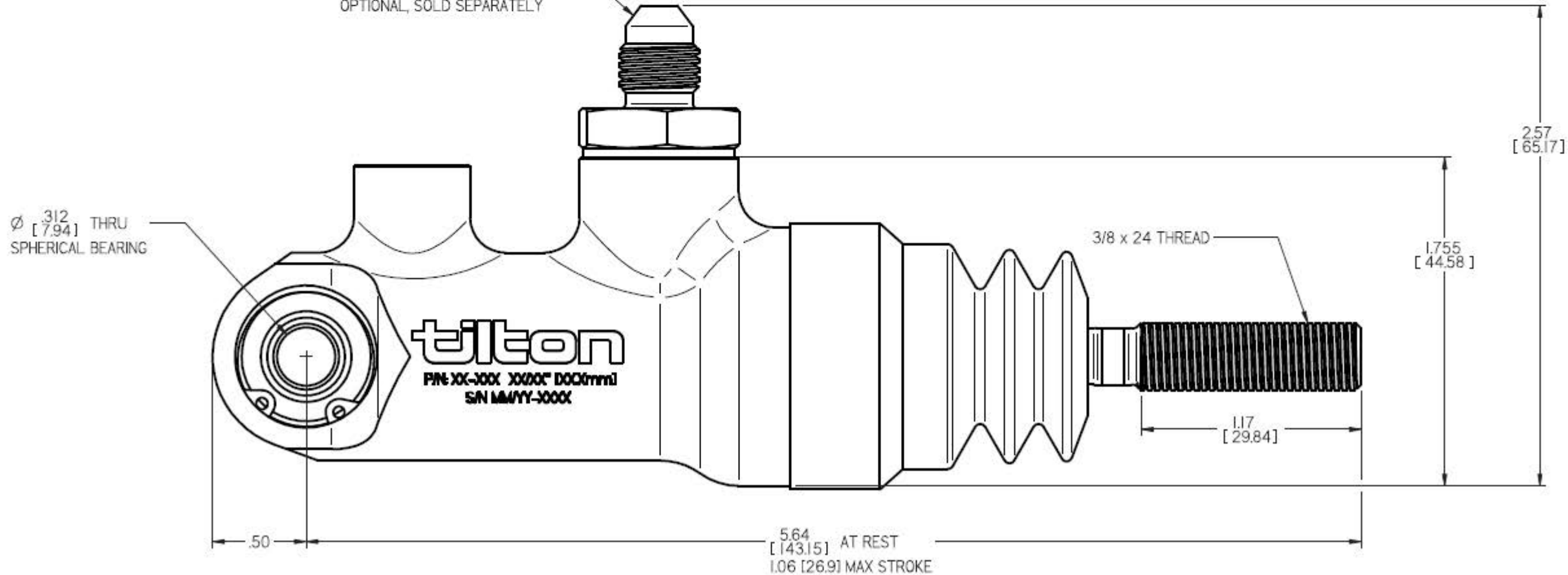
-3 AN FEMALE
OUTLET PORT



.375
[9.52]
SPHERICAL BEARING WIDTH

1.42
[36.07]

-4 AN MALE INLET PORT
TILTON 77-015 FITTING AND
CRUSH WASHER KIT SHOWN
OPTIONAL, SOLD SEPARATELY



1.755
[44.58]

2.57
[65.17]

1.17
[29.84]

3/8 x 24 THREAD

5.64
[143.15] AT REST
1.06 [26.9] MAX STROKE

Ø .312
[7.94] THRU
SPHERICAL BEARING

tilton
PIN: XX-XXX XX/XX° D00[mm]
S/N MM/YY-XXXX

2.57
[65.17]

1.755
[44.58]

3/8 x 24 THREAD

1.17
[29.84]

5.64
[143.15] AT REST
1.06 [26.9] MAX STROKE

.50