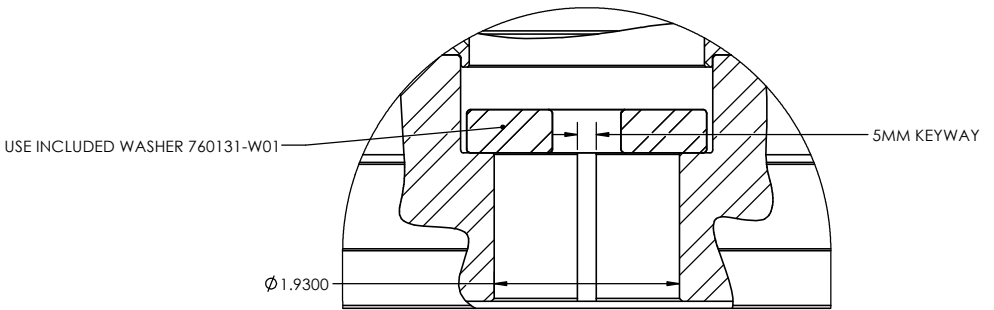
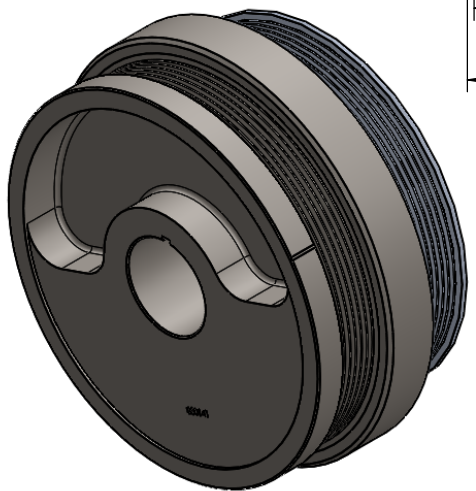
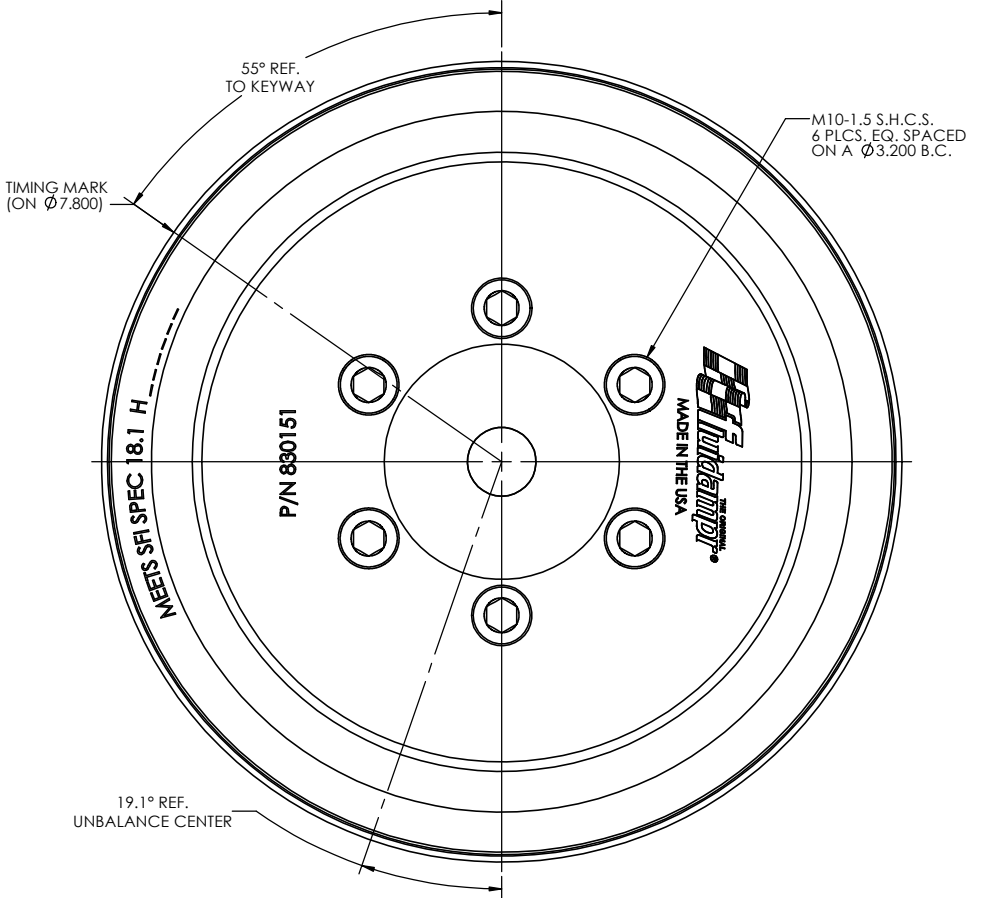
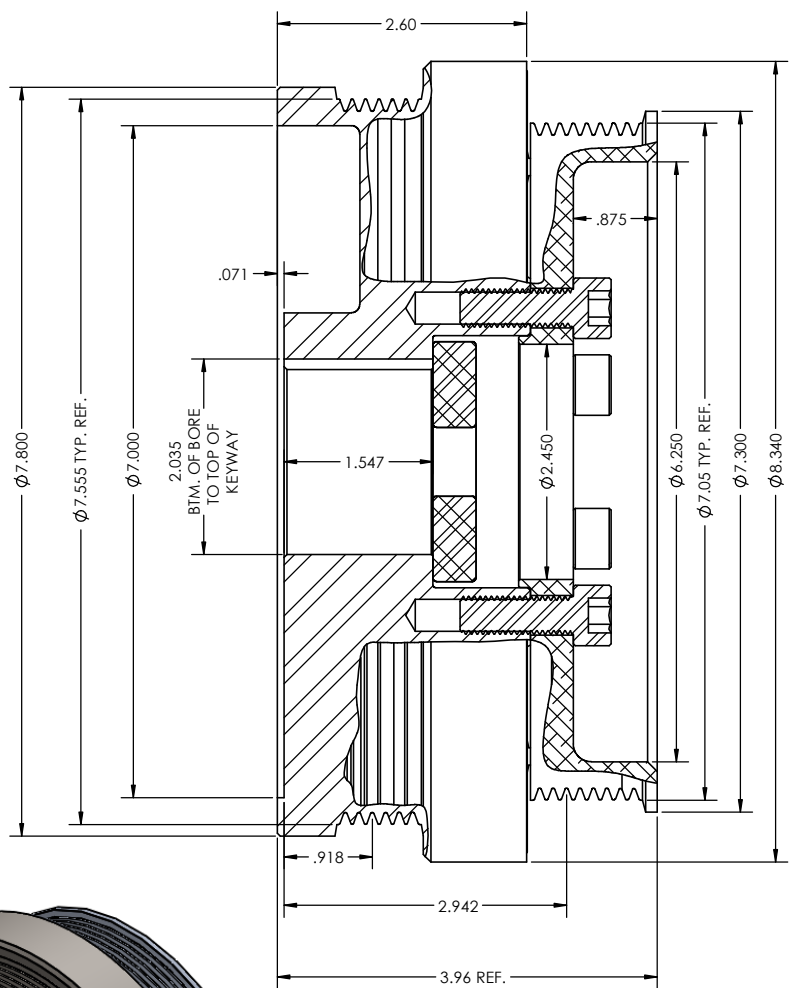


REVISIONS		
REV.	DESCRIPTION	DATE
A	ECN#21014	5/21/21



NOTES:
1. TORQUE SCREWS TO 50 FT-LBS.

APPLICATION: 6.6L GM TRUCKS 2020+ L5P			
EXTERNALLY BALANCED			
PROPRIETARY AND CONFIDENTIAL			
THE INFORMATION CONTAINED IN THIS DRAWING IS THE SOLE PROPERTY OF VIBRATECH TVD. ANY REPRODUCTION IN PART OR AS A WHOLE WITHOUT THE WRITTEN PERMISSION OF VIBRATECH TVD IS PROHIBITED.			
FINAL	DURAMAX		
NEXT ASSY	USED ON		
APPLICATION			

FINISH: BLACK ZINC CHROMATE
COMMENTS:
ORDER PART # 830151

VIBRATECH TVD 180 ZOAR VALLEY ROAD SPRINGVILLE, NEW YORK 14141 USA		
TITLE:	8 3/8" DIA. 6.6L GM TRUCKS	
SIZE	DWG. NO.	REV
C	830151-C	A
WEIGHT: 30.6 lbs. SHEET 1 OF 1		