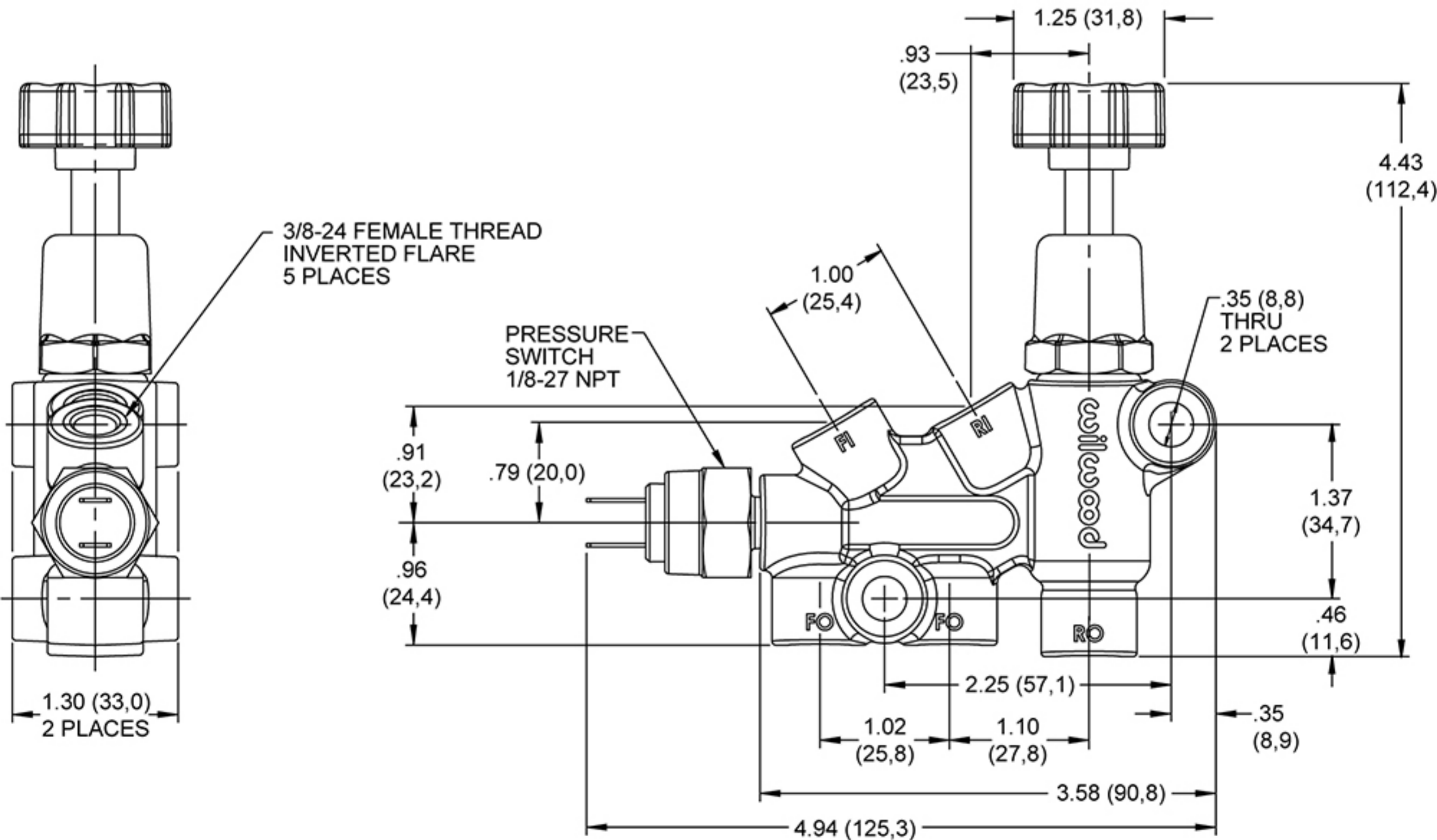


Compact Tandem Master Cylinder Dimensional Characteristics



Combination Proportioning Valve Dimensional Characteristics