

Dimensions

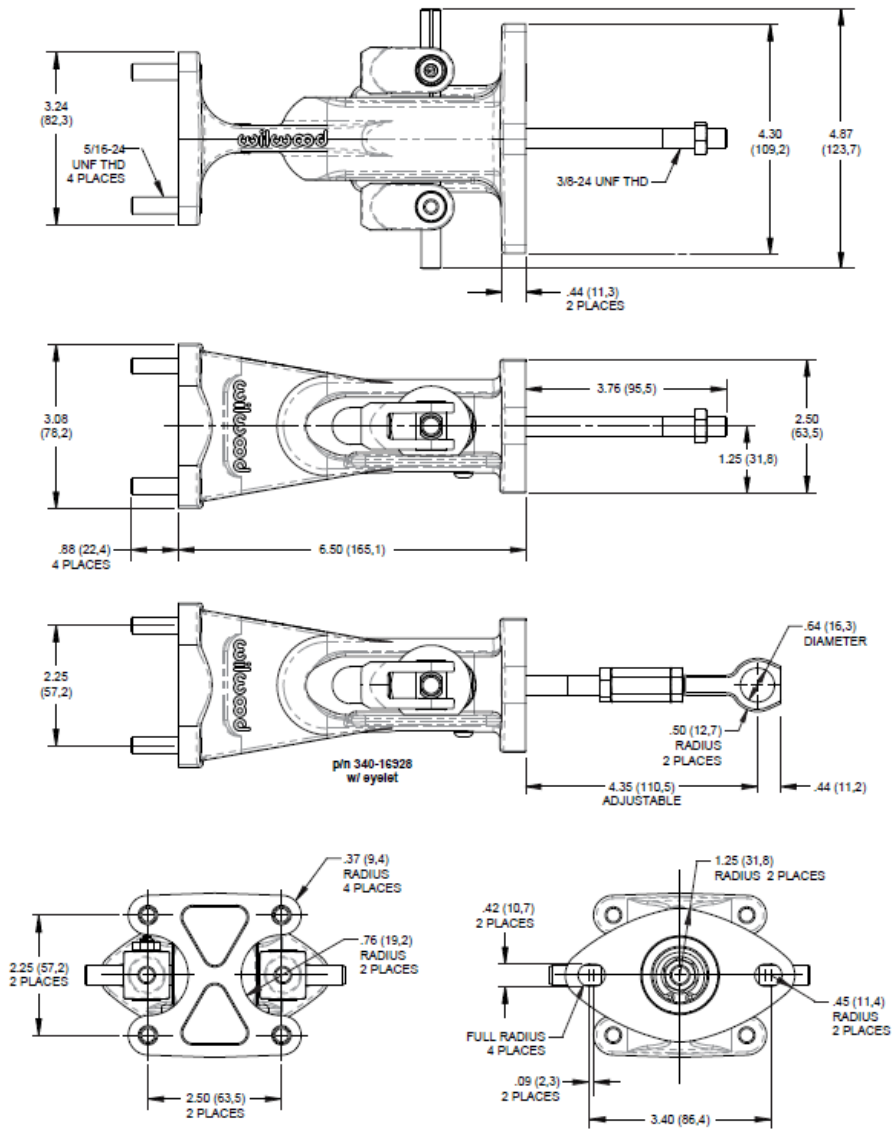


Figure 1. Tandem Mount Balance Bar Assembly, mounting dimensions, p/ns 340-16920 & 340-16928