

SPECIFICATIONS

NOTE: Specifications are subject to change without notice.

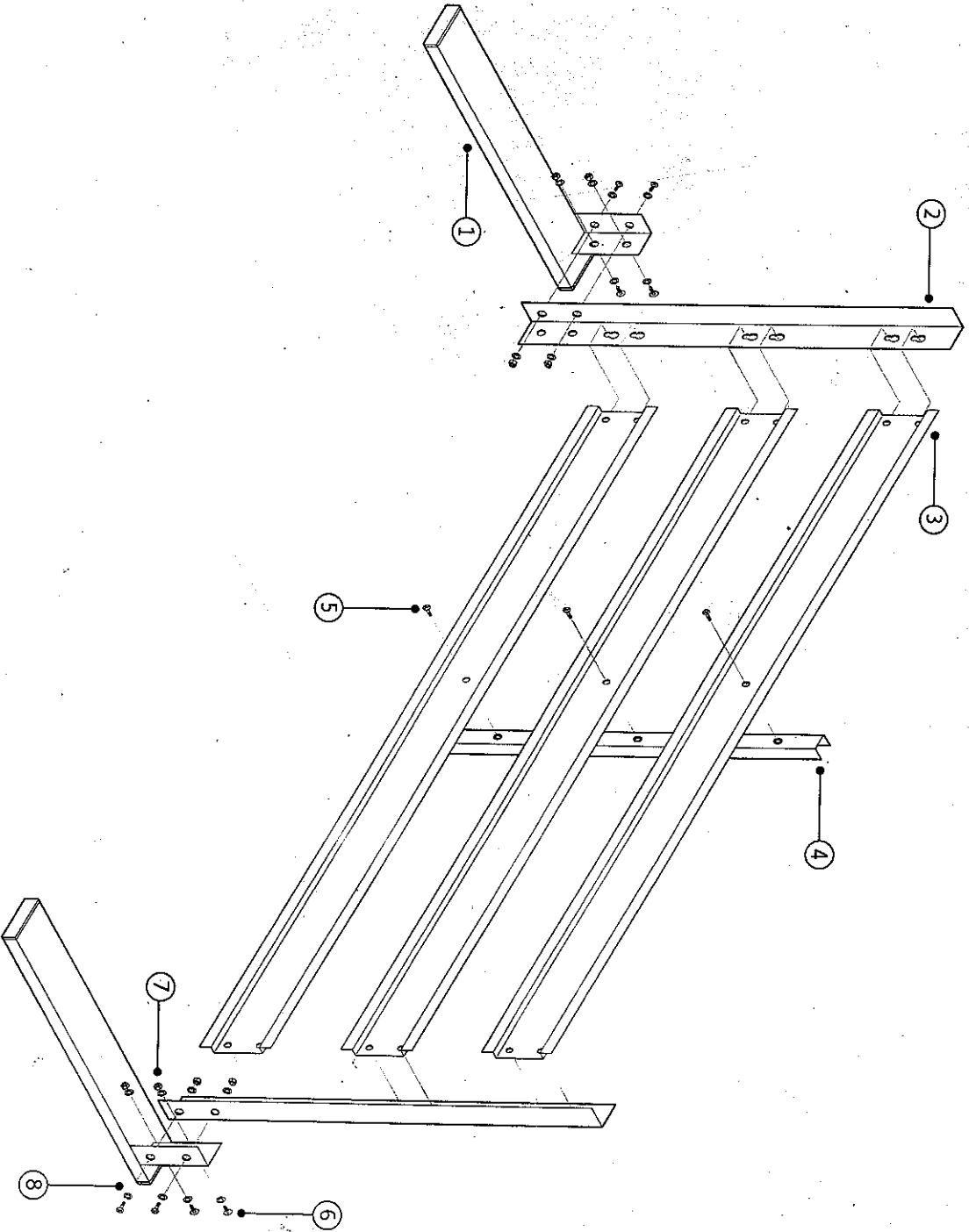
Plastic Bins: 15 (4-1/16 x 6-1/2 in.)
 Rack Height: 15-7/8 in. Tall
 Rack Width: 21-1/4 in. Wide
 Rack Depth: 10-1/8 in. Deep
 Construction: Powder Coated Steel

TOOLS REQUIRED

- #2 Phillips head screwdriver
- 10 mm wrench

ASSEMBLY INSTRUCTIONS

1. Attach the bottom feet (#1) to the "L" frame legs (#2). NOTE: Ensure the frame legs sit inside the "L" bracket on top of the bottom foot (#1).
2. Attach the three center support brackets (#3) to the frame legs (#2) and press down to lock into place. NOTE: Ensure that the screw hole in the center of each center support bracket (#3) is closest to the bottom.
3. Fasten the upright support (#4) to the center support brackets (#3).



PARTS LIST

No.	Description	Qty.
1	Bottom Feet	2
2	"L-Bar" Frame Legs	2
3	Center Support Brackets	3
4	Upright Support	1
5	Center Support Screws	3
6	Screws	8
7	Nuts	8