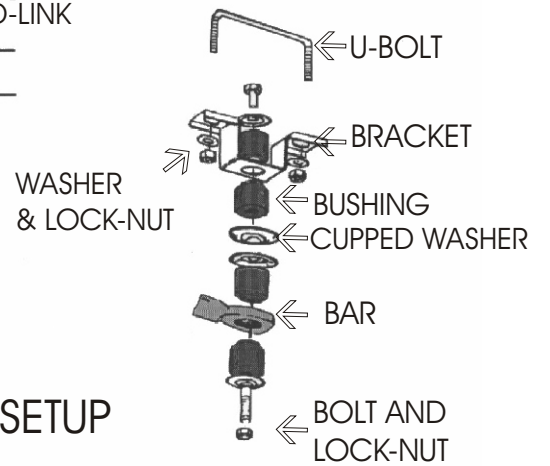
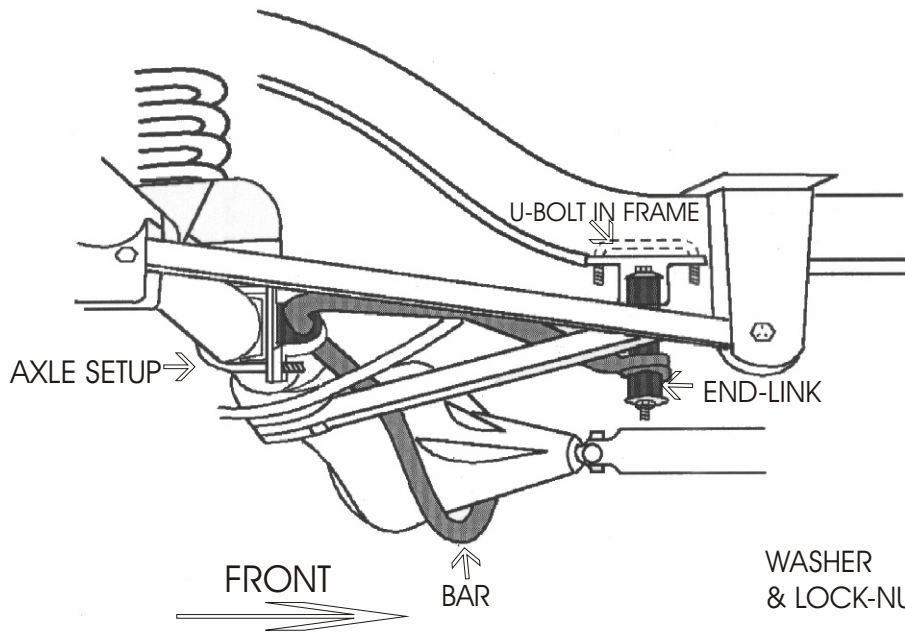
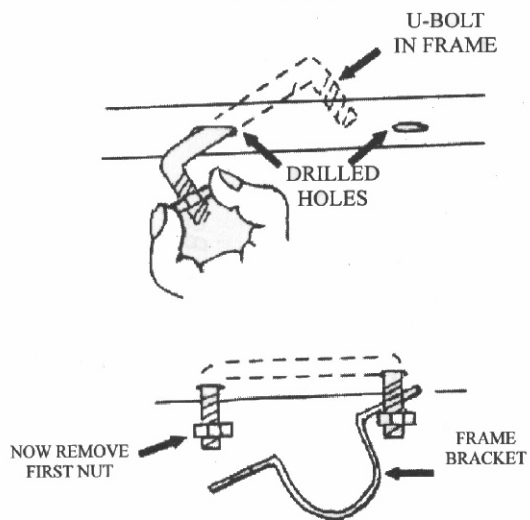


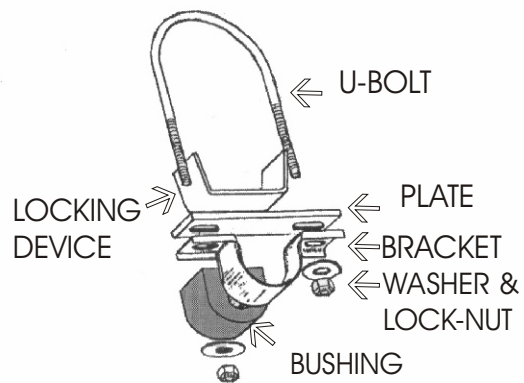
# DIRECTION 349



## HOW TO INSTALL A 402 U-BOLT



## AXLE SETUP



## DIRECTIONS 349

- STEP #1.** Position the bar in front of the rear axle with arms forward, over the inner branch of the trailing strut. The dip of the bar center is down under the differential carrier.
- STEP #2.** Slip bushing around bar mid-section next to the outer bend. Cover it with the bar bracket and between it and the axle, place the base plate. From behind the axle pass the U-bolt around so as to engage the bracket and base plate holes. Start the lock-nuts. From the side, slide the locking device in so it is between the axle and the base plate, with legs to the rear around the axle.
- STEP #3.** Having loosely assembled the two sides, adjust the bar's position so it just clears the spring support and the trailing strut inner support. Tighten the lock-nuts to 10 ft./lb. securing the bracket and bar to the axle.
- STEP #4.** Assemble the end-links as illustrated so as to connect the bar eye and the frame bracket. Using the square U-bolt to measure, space back from the large existing hole in the frame bottom and mark frame. Drill the frame with a 3/8" drill bit. Check the hole spacing with the U-bolt.
- STEP #5.** Place a lock-nut on one leg of the square U-bolt. Pass the other leg through a washer, then through the forward hole in the frame bracket, and then into the large existing hole in the frame bottom. Maneuver until the leg falls out through the drilled hole. Position the rear hole of the frame bracket around it; follow with a washer and another lock-nut. Tighten the lock-nut to 10 ft./lb. The lock-nut on the bottom of the end-link should be tightened just enough to keep the end-link parts snug.
- STEP #6.** Check all fastenings for suitable tightness. Road test your vehicle so as to accustom yourself to its new handling. As we cannot supervise your installation, or your driving, we cannot be held responsible for more than the cost of the kit.

**NOTE:** For best handling and control, this kit should be used in conjunction with our front bar kit.

### HARDWARE:

2 RH 402 U-Bolts	8 RH 104 Washers
8 RH 304 Lock Nuts	2 RH 041 Brackets
2 RH 019 End-Links	2 RH 407 U-Bolts
2 RH 055 Brackets	2 RH 031 Plates
2 RH 046 Brackets	2 RH 507 Bushings