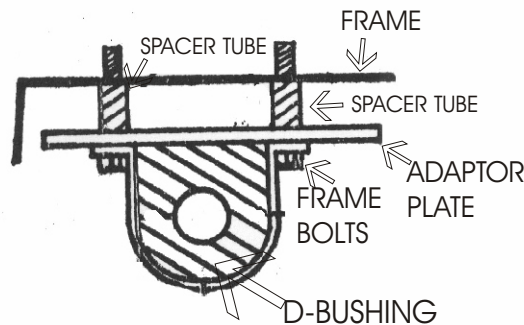


DIRECTION 769 STARION



DIRECTIONS 769 STARION

NOTE: This bar is designed to replace your O.E. bar with no modifications necessary. As you can see, the bar is similar; the only change is a modification on the contours, made necessary by the increase in diameter. The original standoff should be replaced using the tube spacers and plates supplied.

- STEP #1.** After installation, check the movement of the car on the suspension to make sure that all parts of the suspension do not interfere with the new bar.
- STEP #2.** After checking the above, and all fasteners for suitable tightness, road test the car to familiarize yourself to its new handling.
- STEP #3.** As we cannot supervise your installation or your driving, we cannot be held responsible for more than the cost of the kit.

HARDWARE

- 2 RH 016 End-Links
- 2 RH 50B Adapter Plates
- 2 RH 46C Half Brackets
- 2 UB 613B D-Bushings
- 4 RH 067 Spacer Tubes
- 4 RH 219 Bolts
- 4 RH 104 Washers