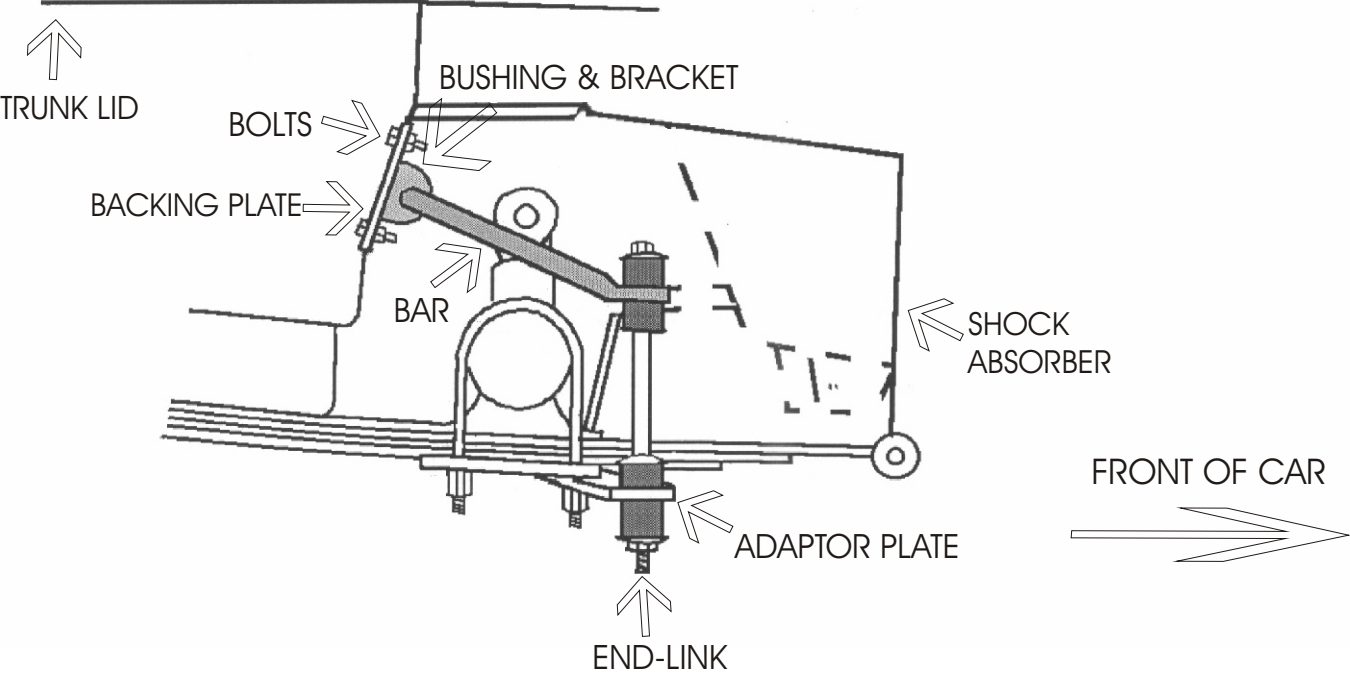


# DIRECTION 901



## **DIRECTIONS #901**

- Step #1.** Remove forward outer nut from the bottom of the spring saddle plate. Place small hole in the adaptor plate over bolt end, then replace the nut. Adjust so the plates free end in outboard of spring saddle plate and leading forward somewhat.
- Step #2.** Place bar so that it is to the rear of the axle with arms leading forward over the axle. Assemble end-links in the correct order, as shown, so that they connect the large hole in the adaptor plate with the bar eye. Do not over-tighten the nut on the bottom of the end-link, as this will shorten bushing life. Tighten just enough to keep assembly snug.
- Step #3.** Place bar bushing on bar near bends, and raise bar mid-section so the flat side of the bushings are against the forward wall to the trunk space. Place bar brackets in position on the bushing, and mark around them with a pencil. Use backing plate as a template and drill holes for bolts in trunk wall.
- Step #4** Place backing plate on inside of the trunk so holes align with hole drilled in trunk wall, and pass bolts through from truck through backing plate and wall and through holes in brackets and secure lock-nut from underside of car. Use vise grips on bolt heads so as to prevent bolts from turning when putting on lock-nuts.
- Step #5.** Check all fastening for proper tightness. Have someone help you bounce rear of car so clearance of the bar may be checked throughout suspension travel distance. Road test your car so as to familiarize yourself with your cars new handling.
- Note:** For balanced cornering and best handling, this kit should be used in conjunction with our front bar #131. As we cannot supervise your installation (or driving!), we cannot be held responsible for more than the cost of the kit.

### **KIT CONTAINS**

<b>2</b>	<b>RH 016</b>	<b>End-links</b>	<b>2</b>	<b>RH 510</b>	<b>Bushings</b>
<b>4</b>	<b>RH 214</b>	<b>Bolts</b>	<b>4</b>	<b>RH 304</b>	<b>Nuts</b>
<b>2</b>	<b>RH 031</b>	<b>Plates</b>	<b>2</b>	<b>RH 040</b>	<b>Brackets</b>
<b>2</b>	<b>RH 033</b>	<b>Plates</b>	<b>4</b>	<b>RH 104</b>	<b>Washers</b>