

Installation Diagram

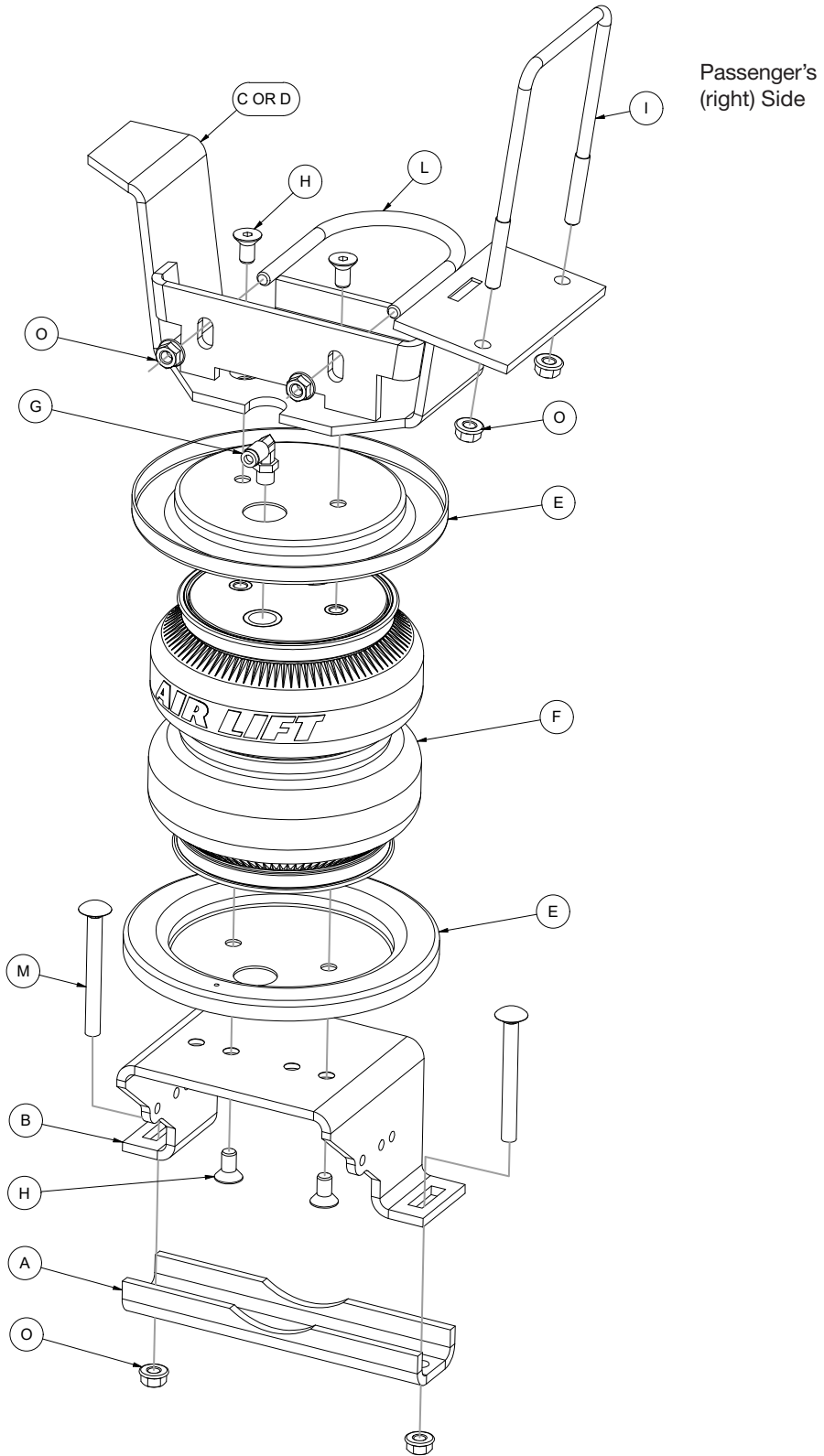


Fig. 1

Hardware and Tools Lists

Common Parts Included in All 3 Kits

Item	Part#	Description	Qty
A	01851	Clamp bar	2
B	03702	Lower bracket	2
C	07808	R.H. Upper bracket	1
D	07902	L.H. Upper bracket	1
I	11046	3/8"-16 U-bolt (square)	2
J*	11315	L.H. ABS loom bracket	1
K*	11320	R.H. ABS loom bracket	1
L	11771	3/8"-16 U-bolt (round)	2
M	17142	3/8"-16 X 3 1/2" Carriage bolts	4
N*	17449	M8-1.25 X 10 Hex cap screws	2
O	18422	3/8"-16 Serrated flange lock nuts	14
P*	18501	M8 Flat washers	4
BB*	10466	Zip ties	12
DD*	18411	Star washer	2

* These parts are not shown in the Installation Diagram (Fig.1).

TOOLS LIST

Description	Qty
Standard and metric open-end or box wrenches	Set
Ratchet	1
Standard and metric, regular and deep-well sockets	Set
7/32" Hex-key wrench	1
5/16" Drill bits (very sharp)	1
Heavy duty drill	1
Torque wrench	1
Large screwdriver or small pry bar	1
Hose cutter, razor blade or sharp knife	1
Hoist or floor jack	1
Safety stands	1
Safety glasses	Pair
Air compressor or compressed air source	1
Spray bottle with dish soap/water solution	1

INSTALLATION IMAGES IN THIS GUIDE

The images in this installation guide show the installation of a LoadLifter 7500 XL kit. The air springs in your kit may appear smaller and your roll plates may have a different finish (see page 4), but the installation process is the same.

Unique Parts in Each Kit

LoadLifter 5000™ KIT 57341

Item	Part#	Description	Qty
E	11951	Roll plate	4
F	58437	Air spring	2
G	21848	90 degree Swivel push to connect fitting	2
H	17215	3/8"-24 X 3/4" Flat head screw	8
AA*	20086	Air line	1
CC*	21230	Valve cap	2
EE*	21233	5/16" Hex nut	4

LoadLifter 5000™ ULTIMATE KIT 88341

Item	Part#	Description	Qty
E	11967	Roll plate	4
F	58496	Air spring with jounce bumper	2
G	21848	90 degree Swivel push to connect fitting	2
H	17215	3/8"-24 X 3/4" Flat head screw	8
AA*	20086	Air line	1
CC*	21230	Valve cap	2
EE*	21233	5/16" Hex nut	4

LoadLifter 5000™ ULTIMATE PLUS+ KIT 89341

Item	Part#	Description	Qty
E	11880	Roll plate (stainless steel)	4
F	58496	Air spring with jounce bumper	2
G	21815	AN-type fitting	2
H	17363	3/8"-24 X 3/4" Stainless steel flat head screw	8
AA*	20987	Stainless steel braided air line	2
FF*	21709	Schrader valve with cap & nut	2
GG*	21813	AN to PTC fitting	2
HH*	20084	Air line assembly	1



Missing or damaged parts? Call Air Lift customer service at (800) 248-0892 for a replacement part.