



# Installation Instructions Trek Top NX Plus 2-Door

Vehicle Application:  
Jeep® Wrangler 2007-2017  
Part Number 56852

## Installation Tips

**Before you begin installing your new Trek Top NX Plus, please read all the instructions thoroughly.**

For easier installation, the top should be installed at a temperature above 72°F. Below this temperature, the fabric may contract an inch or more, making it difficult to fit the vehicle.

It is normal for the fabric to contract and wrinkle when stored in the shipping carton. Within a few days after installation, the fabric will relax and the wrinkles will disappear.

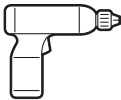

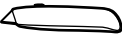









**! WARNING** Do not rely in any way on the components of this product to protect against injury or death in the event of an accident. Never operate the vehicle in excess of manufacturer’s specifications.

Read and follow, precisely, all installation instructions provided when installing this product. Failure to do so may result in a poor fit and could place occupants of the vehicle in a potentially dangerous situation.



## WEAR SEAT BELTS AT ALL TIMES

**! CAUTION** Safety glasses should be worn at all times when installing this product.

Tools				Installation Time	Support
 Drill Driver & #2 Phillips Bit	 #2 Phillips Screwdriver	 Utility Knife	 Vise-Grips	 <b>4 hours</b>	We're here to help! Go to <a href="http://www.Bestop.com">www.Bestop.com</a> and click on "Contact Us"
 Adjustable Wrench	 Safety Glasses	 3mm & 5/32" Allen Wrenches	 Sockets: 3/8" 8mm & 13mm	<b>Skill Level</b>	
	 3/8" Wrench	 Ratchet		 <b>3 - Moderately Difficult</b>	



## Installation Instructions Trek Top NX Plus 2-Door

Vehicle Application:  
Jeep® Wrangler 2007-2017  
Part Number 56852

### Sugerencias de Instalación

**Antes de empezar a instalar esta unidad, lea atentamente todas las instrucciones.**

#### Para un buen ajuste:

Para facilitar la instalación, el producto debe instalarse a temperaturas superiores a 72 °F (22 °C).

Por debajo de esta temperatura, la tela puede encogerse una pulgada o más, lo que dificultaría su ajuste al vehículo.

Es normal que la tela se contraiga o arrugue cuando está guardada en la caja de empaque. A los pocos días después de la instalación, la tela se relajará y las arrugas desaparecerán.



#### ADVERTENCIA

Este producto se diseñó principalmente para mejorar la apariencia del vehículo y proteger a los ocupantes de las condiciones climáticas comunes. De ninguna manera piense que los componentes de este producto pueden servir como medio de contención para los ocupantes del vehículo o que pueden protegerlos contra lesiones o la muerte en caso de accidente. Este producto no protegerá a los ocupantes contra caídas de objetos. Nunca conduzca este vehículo fuera de las especificaciones del fabricante.

#### USE LOS CINTURONES DE SEGURIDAD EN TODO MOMENTO

Lea y siga con precisión todas las instrucciones de instalación que se proporcionan para instalar este producto. Si no lo hace, podría producirse un mal ajuste que colocaría a los ocupantes del vehículo en una situación potencialmente peligrosa.



#### PRECAUCIÓN

Debe usar gafas protectoras en todo momento durante la instalación de este producto.

### Conseils pour l'installation

**Lire toutes les instructions au complet avant de commencer l'installation de cet assemblage.**

#### Pour un ajustement sans problème :

Afin de faciliter l'installation, ce produit doit être installé à des températures au-dessus de 72 °F (22 °C).

Sous cette température, le tissu peut rétrécir d'un pouce (2,5 cm) ou plus, ce qui rendra l'ajustement sur le véhicule difficile.

Il est normal que le tissu rétrécisse et plisse pendant qu'il est dans la boîte d'expédition. En quelques jours après l'installation, le tissu se détendra et les plis disparaîtront.



#### AVERTISSEMENT

Ce produit est conçu principalement pour améliorer l'apparence du véhicule et pour protéger les occupants des conditions météorologiques usuelles. Ne jamais se fier aux composants de ce produit pour se protéger de blessures ou de la mort en cas d'accident. Ce produit ne protégera pas les occupants des chutes d'objets. Ne jamais utiliser le véhicule au-delà des caractéristiques techniques indiquées par le fabricant.

#### PORTER UNE CEINTURE DE SÉCURITÉ EN TOUT TEMPS

Lire et suivre, très fidèlement, toutes les instructions d'installation fournies lors de l'installation de ce produit. Ne pas suivre cette consigne peut causer une installation inadéquate et mettre les occupants du véhicule dans une situation potentiellement dangereuse.



#### MISE EN GARDE

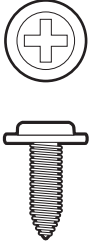

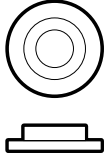

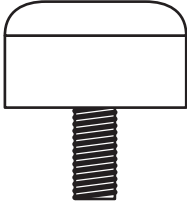


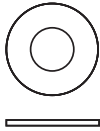
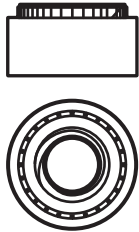


Des lunettes de sécurité doivent être portées en tout temps lors de l'installation de ce produit.



# Installation Instructions Trek Top NX Plus 2-Door

Vehicle Application:  
Jeep® Wrangler 2007-2017  
Part Number 56852

## Parts List

All Sections	Hardware and Fasteners				Multiple Pages
 <p>Pan Head Washer Screw Part #393.79 Qty. 8</p>	 <p>M5 x 35mm Screw Part #514.62 Qty. 2</p>	 <p>Plastic Bushing Part #473.40 Qty. 4</p>	 <p>M5 Nylon Lock Nut Part #308.62 Qty. 2</p>	 <p>#8-32 Threaded Stud Bumper Part #538.96 Qty. 2</p>	
 <p>Rubber Tube Part #544.58 Qty. 2</p>	 <p>Button Head Socket Cap Screw Part #538.99 Qty. 2</p>	 <p>1/4" Flat Washer Part #538.71 Qty. 4</p>	 <p>Press-In Nut Part #538.97 Qty. 2</p>	 <p>#10-32 Machine Screw Part #316.82 Qty. 4</p>	 <p>#10-32 Nylon Lock Nut Part #316.94 Qty. 4</p>

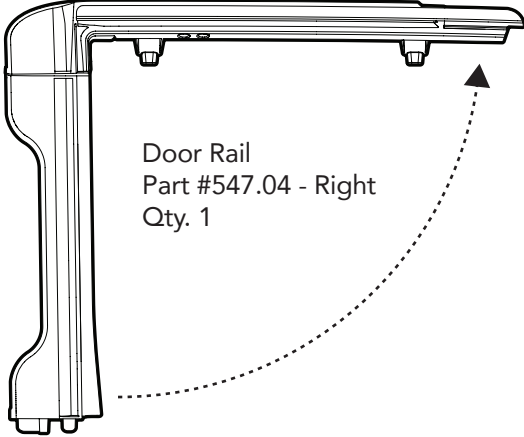
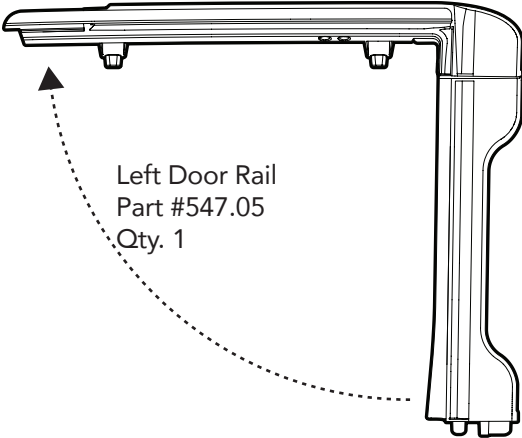
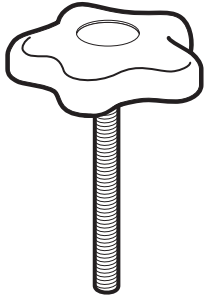
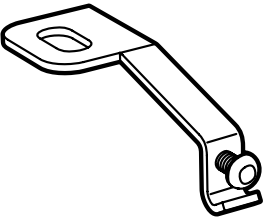
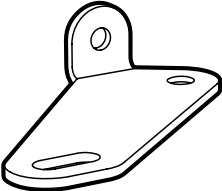
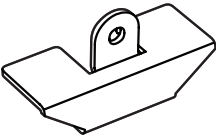
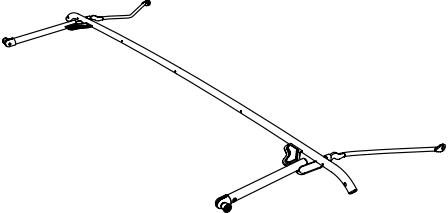


# Installation Instructions Trek Top NX Plus 2-Door

Vehicle Application:  
Jeep® Wrangler 2007-2017  
Part Number 56852

## Parts List

- Required parts for installation

Section 1 Door Rails & Knobs		Pages 6-8 of Guide	
 <p>Door Rail Part #547.04 - Right Qty. 1</p>	 <p>Left Door Rail Part #547.05 Qty. 1</p>	 <p>M8 x 75mm Knob Part #478.90 Qty. 4</p>	
Sections 2 - 4 Cable Guide Bracket, Pivot Brackets, #2 Bow		Pages 8-10 of Guide	
 <p>Cable Guide Part #543.97 - Left Part #543.98 - Right (shown) Qty. 1 of each</p>	 <p>#2 Bow Pivot Bracket Part #541.88 - Right (shown) Part #541.87 - Left Qty. 1 per side</p>	 <p>Sunrider Pivot Bracket Part #545.74 Qty. 2</p>	 <p>#2 Bow Assembly Part #541.18 Qty. 1</p>

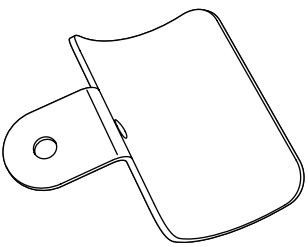
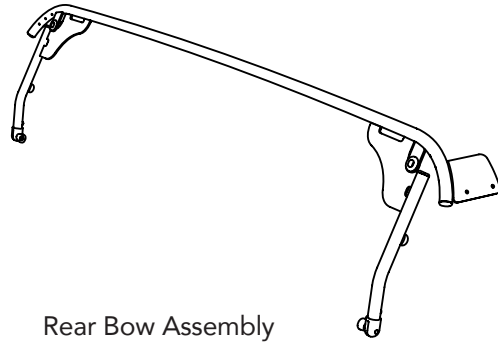



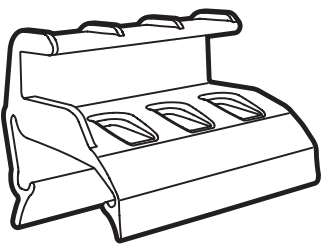
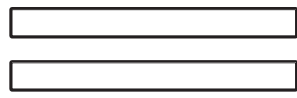
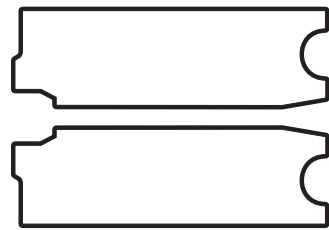
# Installation Instructions Trek Top NX Plus 2-Door

Vehicle Application:  
Jeep® Wrangler 2007-2017  
Part Number 56852

## Parts List

- Required parts for installation

Sections 6 to 9	Pin Point Bracket, Rear Bow Ass'y, Adhesive Loop Strips	Pages 12 to 15 of Guide
 <p>Pin-Point Bracket Part #539.20 Qty. 2</p>	 <p>Rear Bow Assembly Part #547.30 Qty. 1</p>	 <p>Adhesive Fabric Loop Strips Part #546.15 Qty. 2</p>

Sections 10 & 11	Tailgate Bar Mounts, Foam Strips & Foam Seals		Page 16 & 17 of Guide
 <p>Tailgate Bar Mounts Part #539.57 - Left (shown) Part #539.56 - Right Qty. 1</p>	 <p>Foam Tape Strips Part #417.43 Qty. 2</p>	 <p>Foam Seals Part #457.76 - Right Part #457.77 - Left Qty. 1 per side</p>	



# Installation Instructions Trek Top NX Plus 2-Door

Vehicle Application:  
Jeep® Wrangler 2007-2017  
Part Number 56852

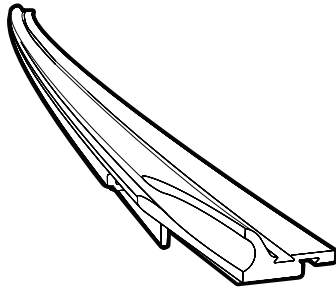
## Parts List

- Required parts for installation

**Sections 12 to 16**

**Tailgate Bar, Fabric & Windows**

**Pages 18 to 24 of Guide**



Tailgate Bar  
Part #538.76  
Qty. 1

Deck, Header Assembly & Fabric Top

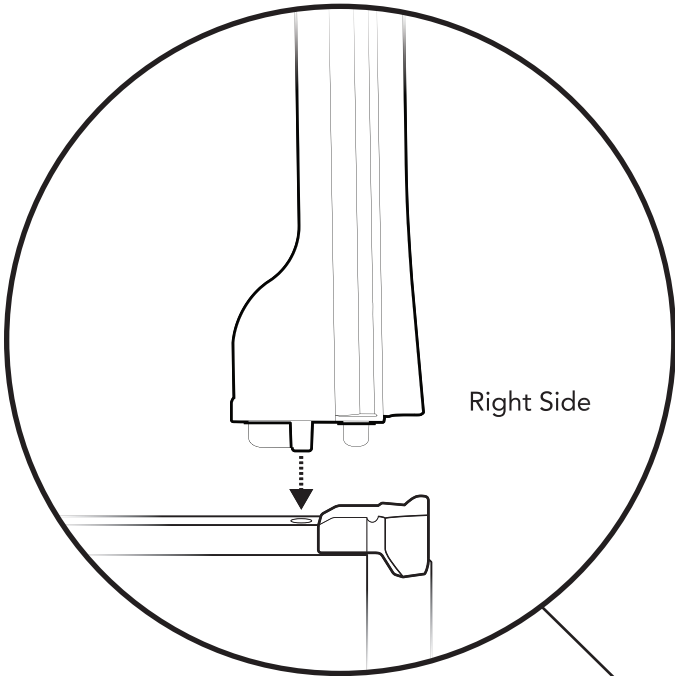
Driver Side Window

Passenger Side Window

Rear Window



**Step 1** 547.04 547.05

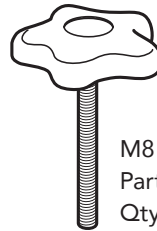
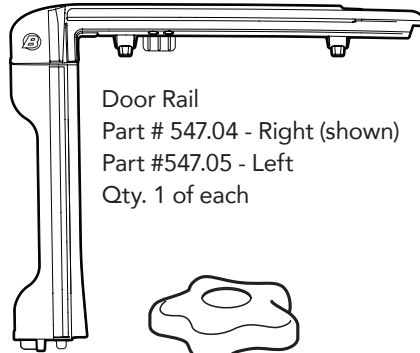


**Step 1**

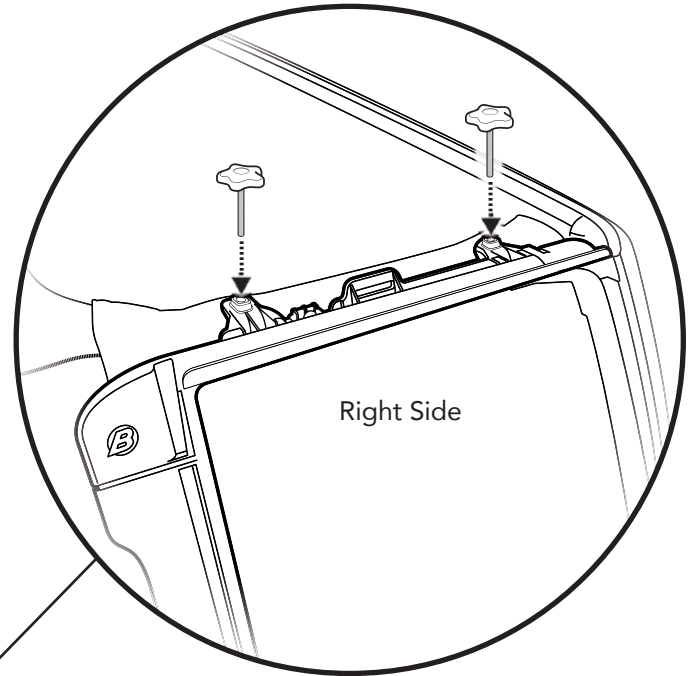
Open the passenger side Door.  
Insert the pin in the bottom of the Right Door Rail #547.04 into the hole in the belt rail behind the door opening. Press the channel along the top of the Door Rail around the horizontal sport bar.

Repeat on the left side of the vehicle.

**Hardware**



**Step 2** 478.90



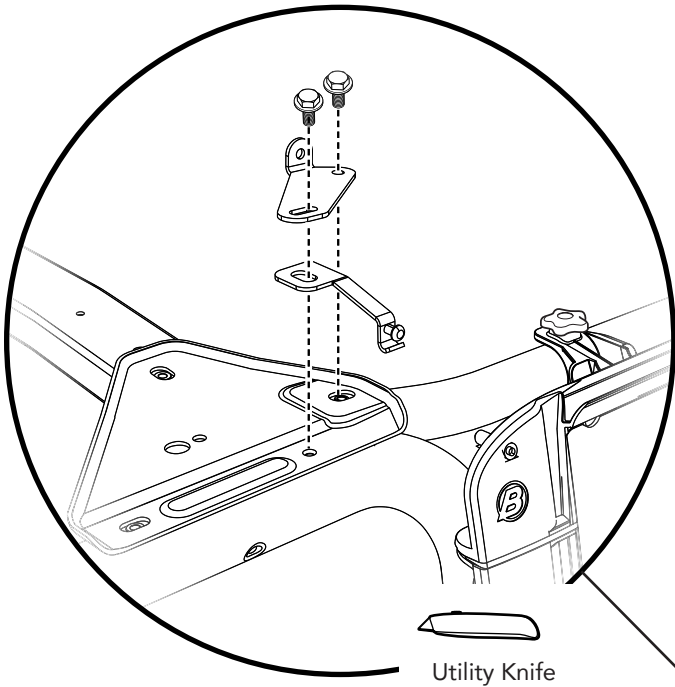
**Step 2**

Insert one (1) M8 x 75mm Knob #478.90 into each position on the Right Door Rail #547.04, and tighten.

Repeat on the left side of the vehicle, with the Left Door Rail #547.05.



<b>Step 1</b>	541.87	541.88	543.98	543.97
---------------	--------	--------	--------	--------



**Step 1**


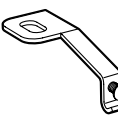
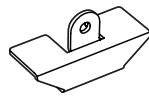
Unzip the sport bar cover over the middle cross bar, to expose the sport bar corner plate, and two hex-head bolts.

Attach the Right #2 Bow Pivot Bracket #541.88 and the Right Cable Guide Bracket #543.98 to the right side sport bar plate using the two pre-installed bolts.







Zip the sport bar cover closed, locate the vertical tab on the #2 Bow Pivot Bracket, and slit the sport bar cover to allow this tab to protrude from the cover.

Repeat on the left side of the Jeep.

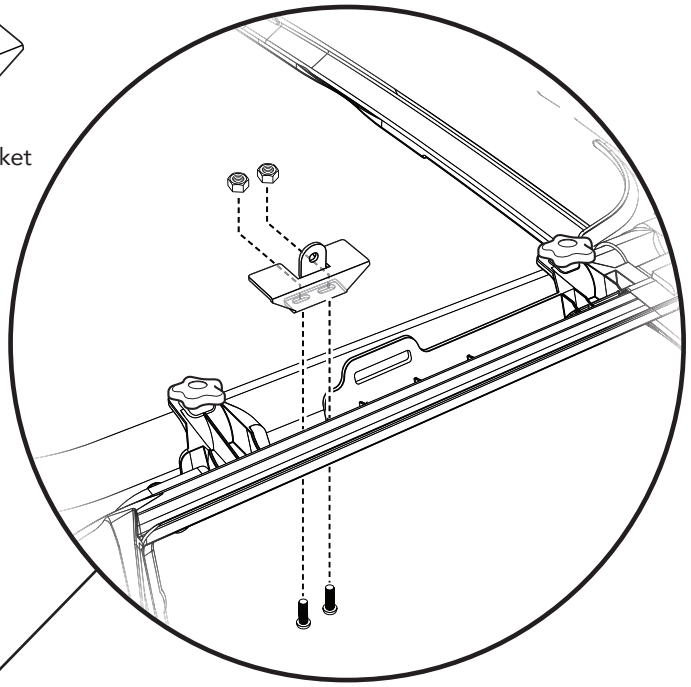
**Hardware**

-  #2 Bow Pivot Bracket  
#541.88 - Right (shown)  
#541.87 - Left  
Qty. 1 per side
-  Cable Guide Bracket  
#543.98 - Right (shown)  
#543.97 - Left  
Qty. 1 per side
-  Sunrider Pivot Bracket  
#545.74  
Qty. 2

**Tools**

-  13mm Socket
-  #2 Phillips Screwdriver
-  Ratchet
-  3/8" Wrench
-  #10-32 Machine Screw  
Part #316.82  
Qty. 2 per side
-  #10-32 Nylon Lock Nut  
Part #316.94  
Qty. 2 per side

<b>Step 2</b>	545.74	316.82	316.94
---------------	--------	--------	--------



**Step 2**

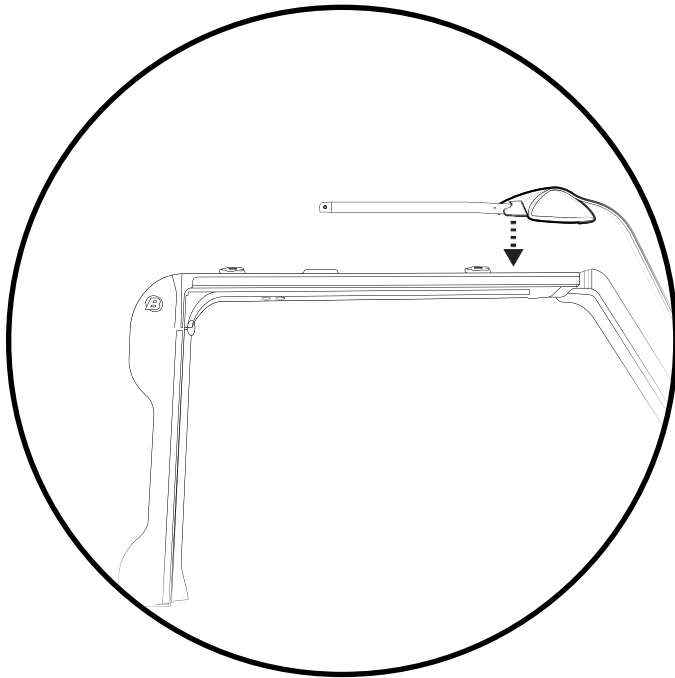
Attach the right Sunrider Pivot Bracket #545.74 to the Right Door Rail #479.82 using two (2) #316.82 Screws, and two (2) #316.94 Nylon Lock Nuts.

Repeat on the left side of the vehicle.





**Step 1** Header/Side Bow Assembly

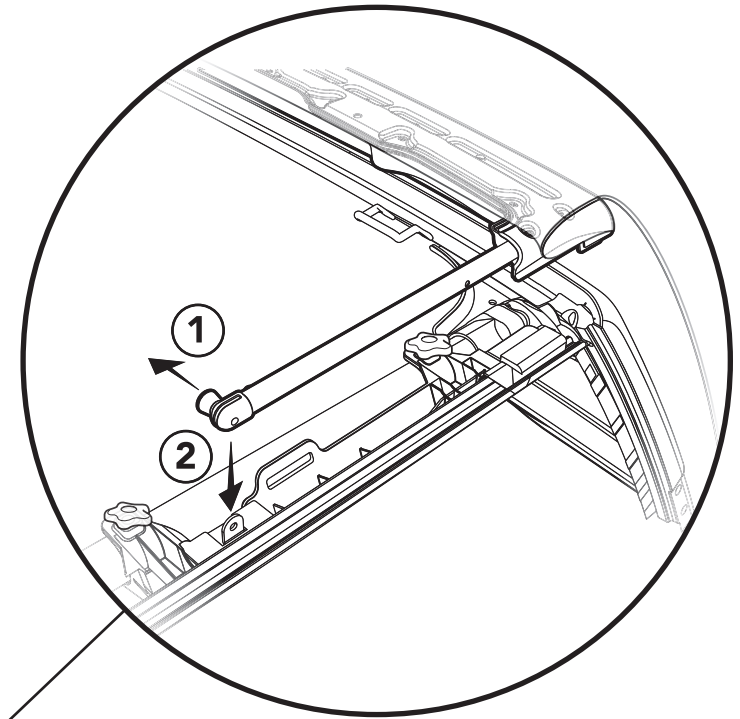


**Step 1**

Lift the Header/Side Bow Assembly onto the top of the Jeep, with the Header sitting on top of the the Jeep windshield, and the farbic draped forward over the Jeep hood.

You may want to protect the finish of the Jeep by putting a blanket across the Jeep Hood.

**Step 2**



**Step 2**

Attach the right Side Bow to the Right Side Bow Pivot Bracket #545.74.

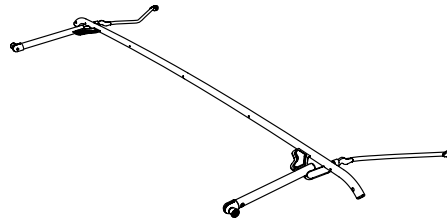
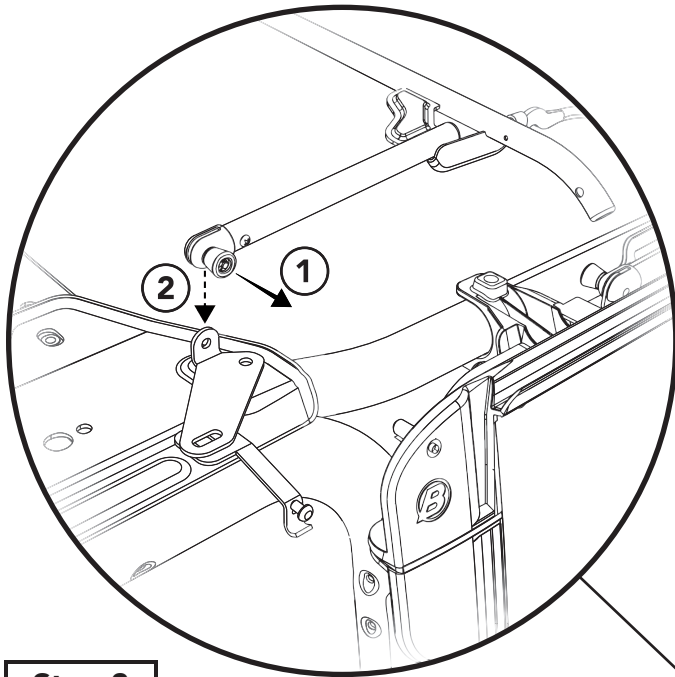
- ① Pull out on the spring catch release knob;
- ② Slide the slotted end of the Side Bow over the vertical tab on the Side Bow Pivot Bracket, and release the knob, making sure that the catch snaps into place on the Pivot Bracket tab.

Repeat on the left side of the Jeep.



**Step 1** 541.18

**Hardware**



#2 Bow Assembly  
#541.18  
Qty. 1

**Step 2**

- ① Pull out on the knob to release the spring-loaded catch on the #2 Bow rear legs;
- ② Slide the slotted end of the catch over the #2 Bow Pivot Bracket tab protruding from the sport bar cover.

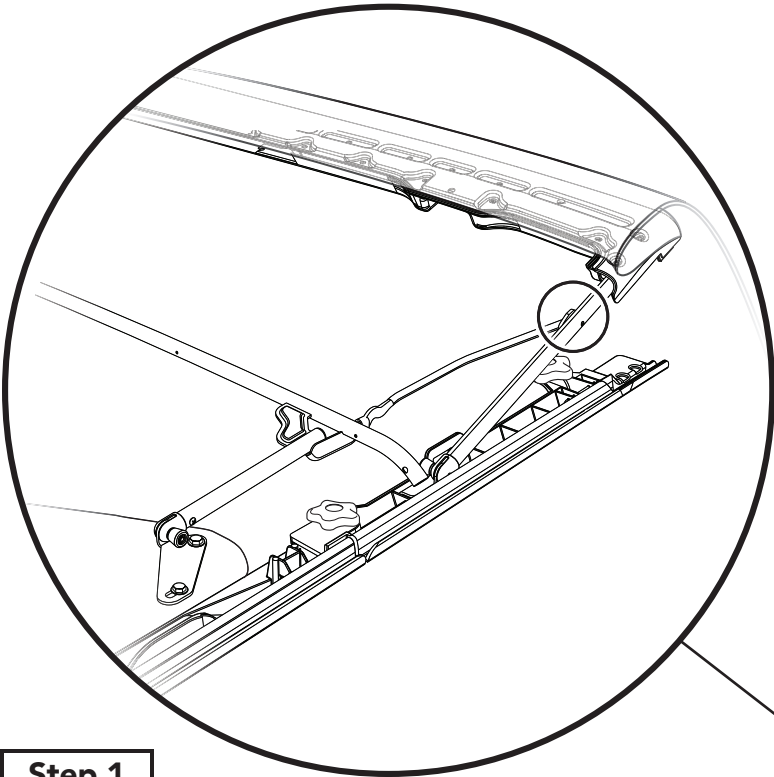
Make sure that the spring catch snaps into place on each #2 Bow Pivot Bracket tab.






**Step 1** #2 Bow Assembly




**Hardware**

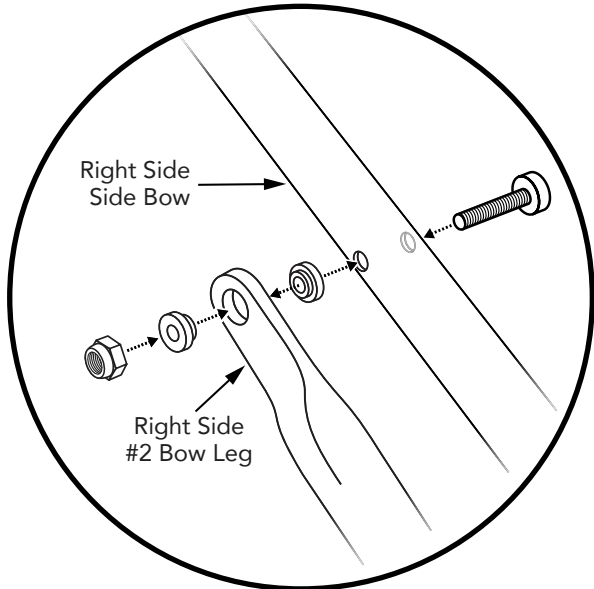
**Step 2** 514.62 473.40 308.62



-  M5 x 35mm Screw #514.62 Qty. 2
-  Plastic Bushing #473.40 Qty. 4
-  M5 Nylon Lock Nut #308.62 Qty. 2

**Tools**

-  3mm Allen Wrench
-  8mm Socket
-  Ratchet



**Step 1**

**Step 1**

Lift the Side Bow/Header up and locate the hole in the right Side Bow near the Header.

Using this hole in the Side Bow, attach the #2 Bow to the right Side Bow.

Repeat on the left side of the Jeep.

Secure the #2 Bow to the right Side Bow using one (1) Machine Screw #514.62, two (2) Plastic Bushings #473.40, and one (1) Nylon Lock Nut #308.62.

The Plastic Bushings go on both sides of the flat portion of the #2 Bow.

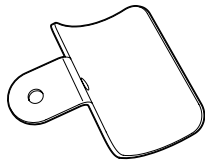
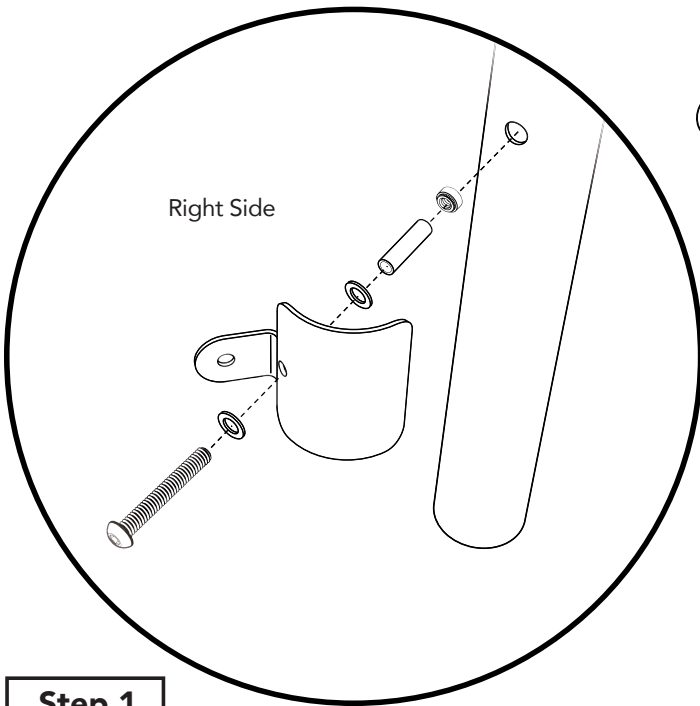
The Nylon Lock Nut goes on the inboard side of the Side Bow.

Repeat on the left side of the Jeep.



<b>Step 1</b>	539.20	538.97	544.58	308.87	538.71
---------------	--------	--------	--------	--------	--------

**Hardware**



Pin-Point Bracket  
Part #539.20  
Qty. 2



Button Head  
Socket Cap Screw  
Part #538.99  
Qty. 2

1/4" Flat Washer  
Part #538.71  
Qty. 4

Rubber Tube  
Part #544.58  
Qty. 2

Press-In Nut  
Part #538.97  
Qty. 2

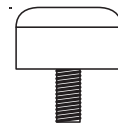
**Tools**



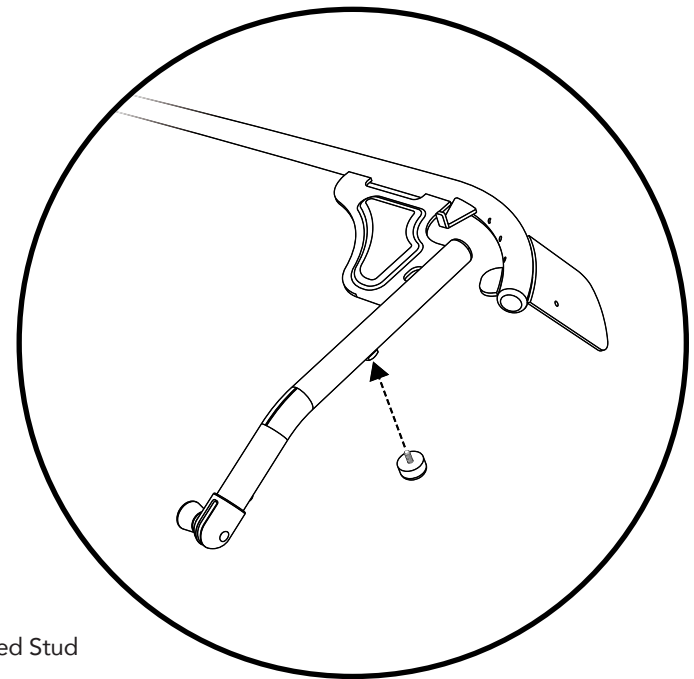
5/32"  
Allen Wrench



Utility Knife



#8-32 Threaded Stud  
Bumper  
Part #538.96  
Qty. 2



**Step 1**

Unzip the sport bar cover all the way back on both down tubes.

Place the Pin Point Bracket #539.20 over the existing hole in the rear downtube of the sport bar. Make sure the Pin Point Bracket wraps around the outside of the sport bar.

Fasten the Pin Point Bracket to the sport bar using one (1) Button Head Socket Screw #538.99, two (2) 1/4" Flat Washers #538.71, one (1) Rubber Tube #544.58, and one (1) Press-In Nut #538.97 per side.

Make sure that the Press-In Nut has the ridged side facing the Rubber Tube.

Tighten the Button Head Socket Screw to firmly seat the Pin Point Bracket to the sport bar.

Before zipping the sport bar cover back up, locate the Pin Point Bracket tab underneath the cover, and using a utility knife, make a slit in the cover to allow the tab to protrude through the cover.

Zip the sport bar cover closed on both down tubes.

**Step 2**

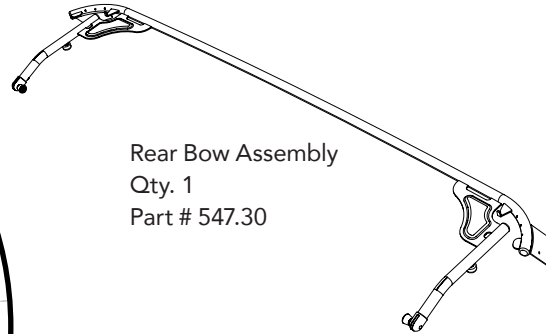
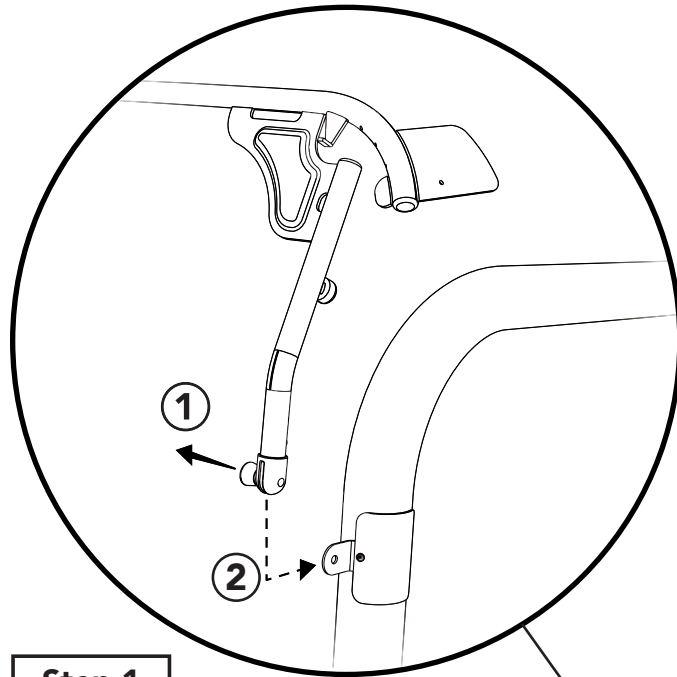
Attach a Rubber Bumper #538.96 to the underside of each rear leg of the Rear Bow Assembly, #547.30.



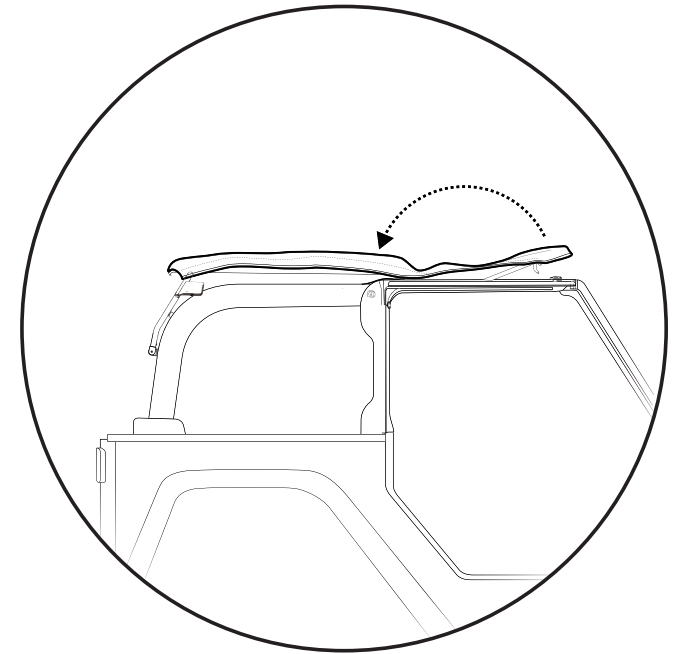
**Step 1** 547.30

**Hardware**

**Step 2**



Rear Bow Assembly  
Qty. 1  
Part # 547.30



**Step 1**

Attach the Rear Bow Assembly #547.30 to the Pin Point Bracket on the rear downtube of the sport bar by pulling out on the spring catch release knob, and sliding the catch over the protruding tab of the Pin Point bracket as shown in the diagram above.

Repeat for the left side.

**Step 2**

Lift up the fabric and drape it back over the top of the Jeep, pulling it back and over the top of the Rear Bow Assembly.

Open the Sunrider. Fold the Sunrider back from the front pivot point, resting the front portion of the top on the rear portion.



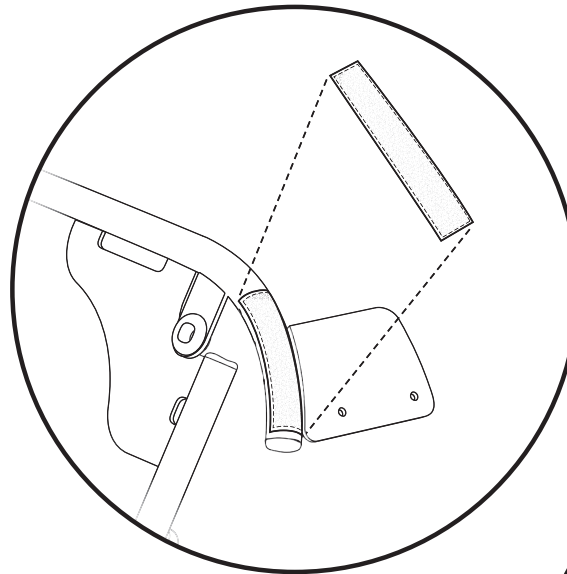
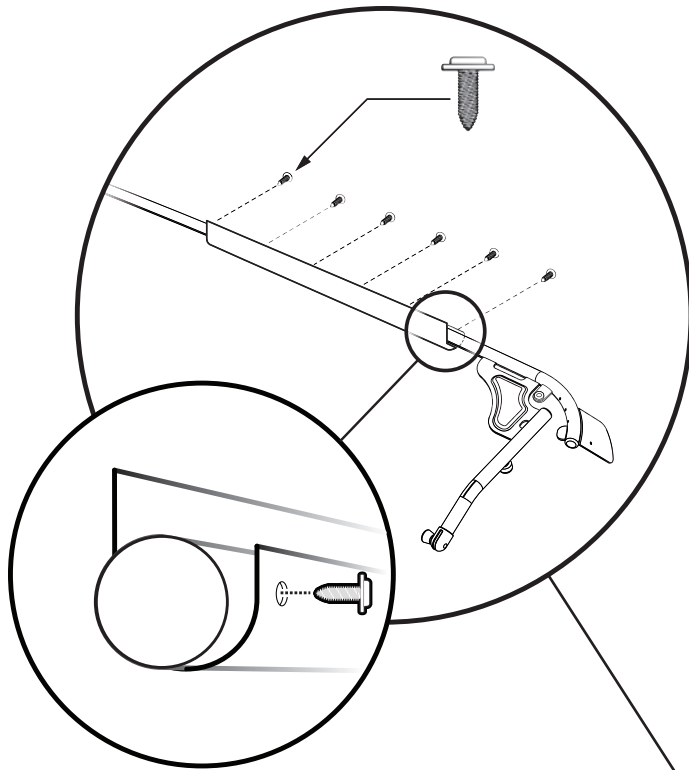
**Step 1** 393.79

**Step 2** 546.15

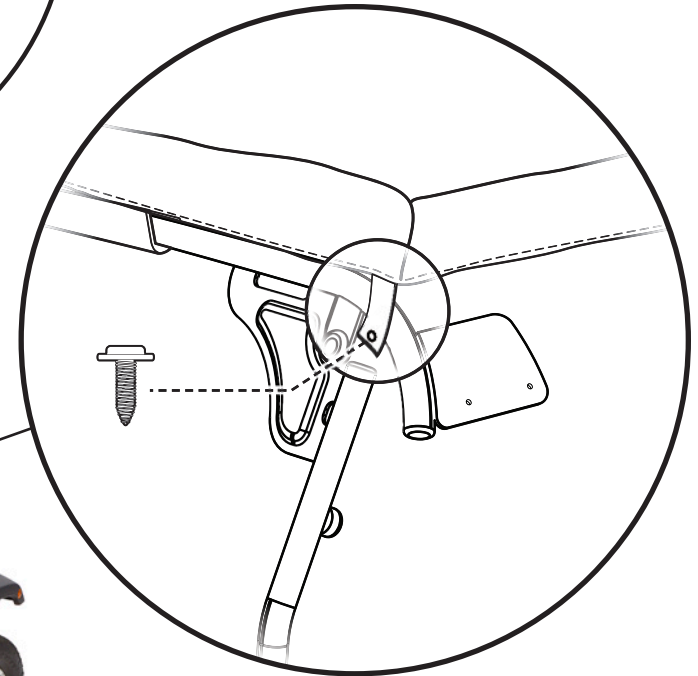
**Hardware**



Adhesive Fabric Loop Strip  
Part # 546.15  
Qty. 2



**Step 3** 393.79



**Tools**



**Step 1**

Attach the long fabric flaps on the inside of the fabric top to the Rear Bow Assembly. Wrap the flap around the back side and underneath the Rear Bow, and secure the flap to the front side of the Rear Bow using six (6) Pan Head Washer Screws #393.79.

**Step 2**

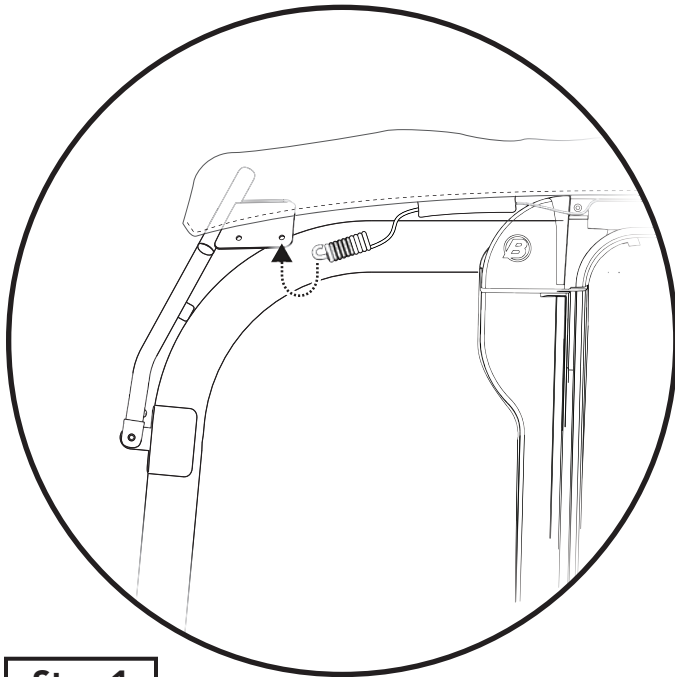
Attach one (1) Adhesive Fabric Loop Strip #546.15 to each end of the Rear Bow as shown. The Loop Strips should align with the Hook Strips on the underside of the fabric top.

**Step 3**

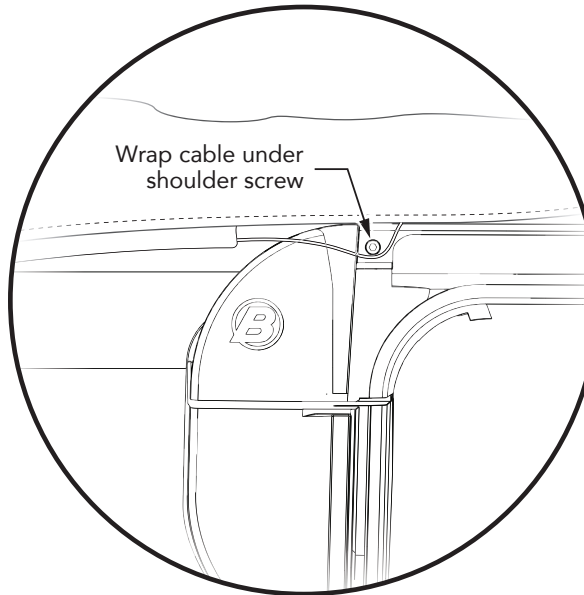
Locate the small fabric flap at each rear corner of the fabric top, and attach the flap to the inner hole in the Rear Bow Assembly, using one (1) Pan Head Washer Screw #393.79 per side.



**Step 1**



**Step 2**

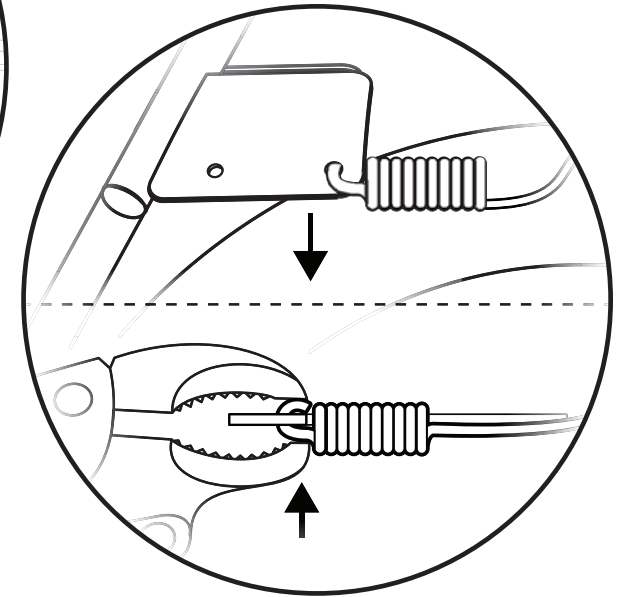


**Tools**



Vise-Grips

**Step 3**



**Step 1**

Attach the free end of the Cable Spring to the front hole in the Rear Bow corner plate, just above the bend in the rear leg of the sport bar.

**Step 2**

Wrap the cable under the protruding shaft of the Shoulder Screw at the top of the Rear Door Rail.

**Step 3**

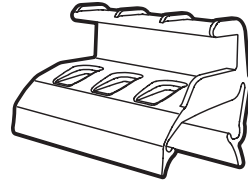
Crimp the end of the spring where it passes through the hole in the #3 Bow corner plate, to prevent it from coming loose.

Right side shown. Repeat on the left side of the Jeep.

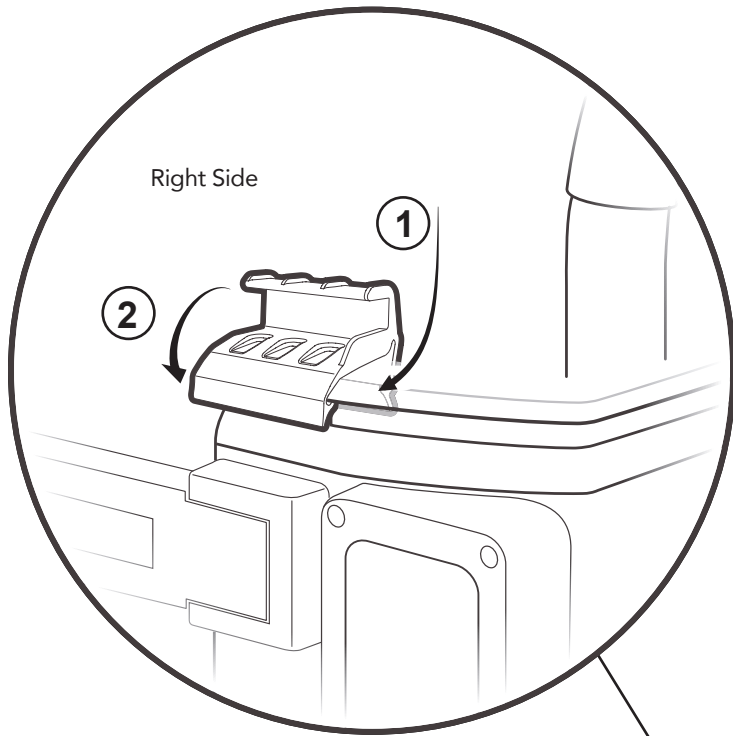


**Step 1** 539.56 539.57

**Hardware**



Tailgate Bar Mounts  
Qty. 1 of each  
Part # 539.56 -Right (shown)  
Part # 539.57 - Left



**Step 1**

Locate the left and right Tailgate Bar Mounts. Each mount snaps onto the Jeep belt rail just outboard of the tailgate opening.

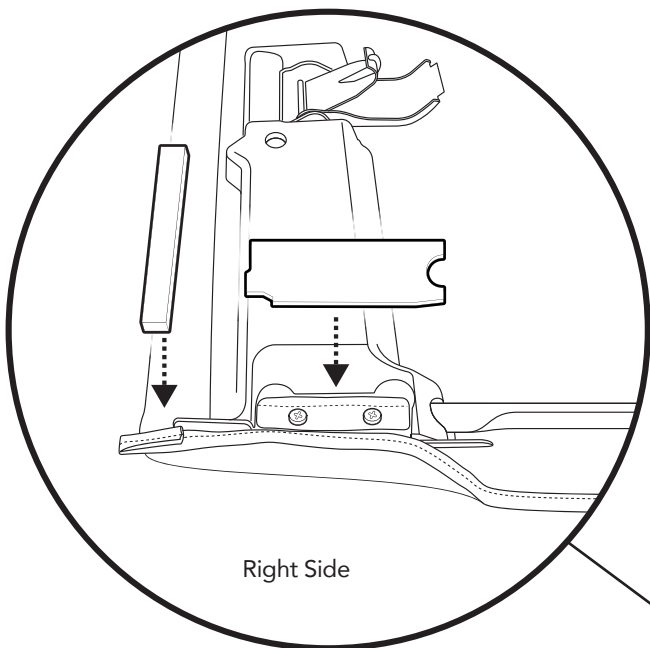
Snap each mount into place by hooking the inner catch portion of the mount under the belt rail on the inside, and then rolling the mount downward until it snaps into place under the bottom edge of the outside belt rail.



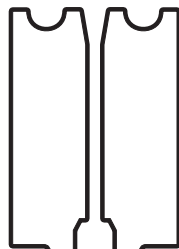


<b>Step 1</b>	417.43	457.76	457.77
---------------	--------	--------	--------

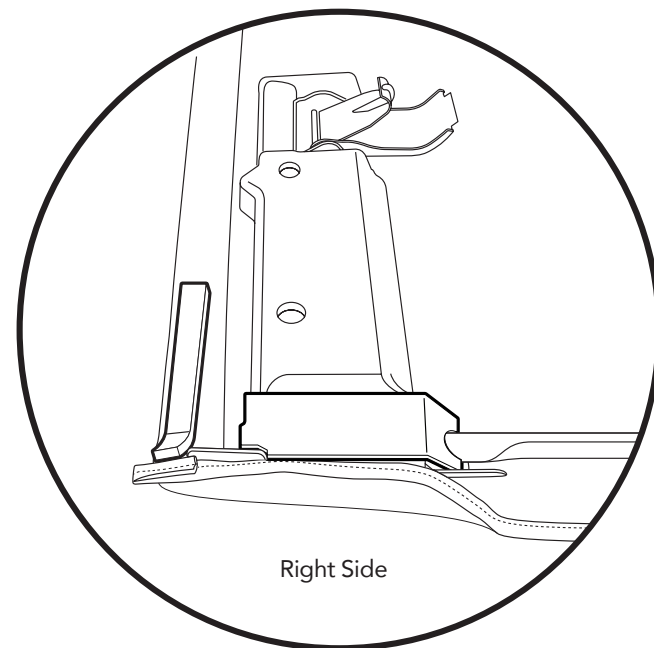
**Hardware**



Foam Tape Strips  
Qty. 2  
Part # 417.43



Foam Seals  
Qty. 1 per side  
Part # 457.77 - Left  
Part #457.76 - Right



**Step 1**

With the Sunrider folded back, locate the two (2) Foam Seals #457.76 & #457.77 and the two (2) Foam Tape Strips #417.43.

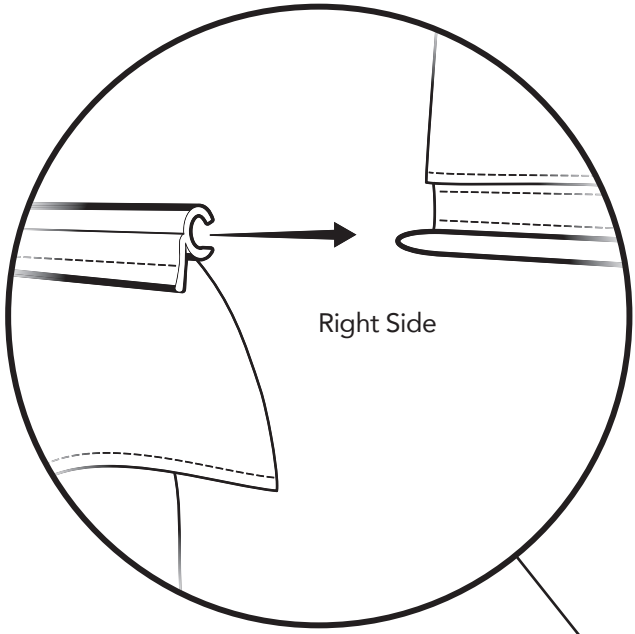
Remove protective liner from the back side of the Foam Seal and place the Foam Seal in the location shown in the diagram.

Remove protective liner from the back side of the Foam Tape Strip and place the Foam Tape Strip in the location shown in the diagram.

Repeat for the left side of the vehicle.



**Step 1** Quarter Windows

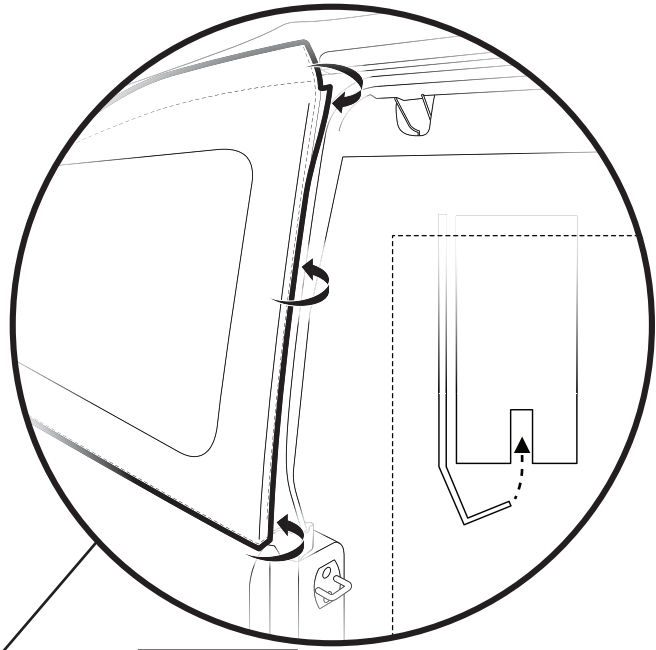


**Step 1**

Locate the plastic channel along the lower edge of the top fabric, on the right side.

Insert the tapered tip of the sewn-in plastic tube at the top edge of the Quarter Window into the open end of the rear of the channel sewn onto the bottom edge of the top fabric and slide the Quarter Window forward until it stops at the back of the Rear Door Rail.

**Step 2**

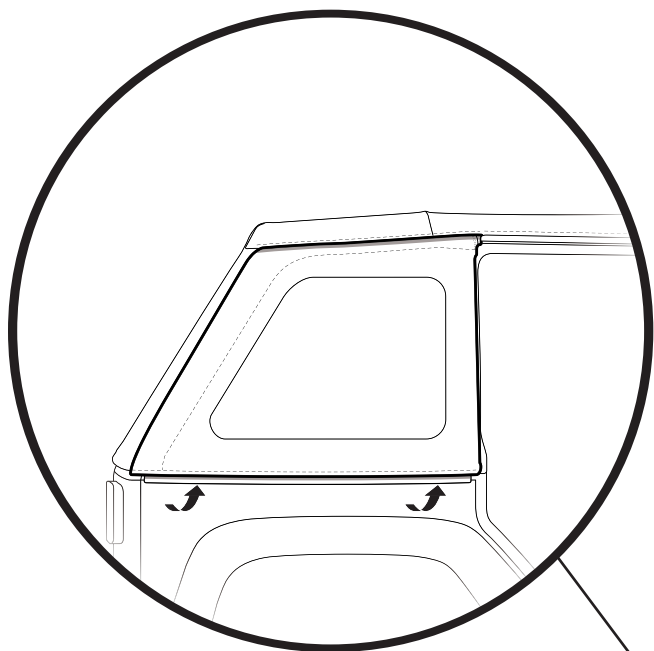


**Step 2**

Tuck the plastic angle strip along the front edge of the right Quarter Window into the vertical channel on the front of the Rear Door Rail. The plastic angle strip and attached fabric must be rolled into place in the channel.



**Step 3** Quarter Windows

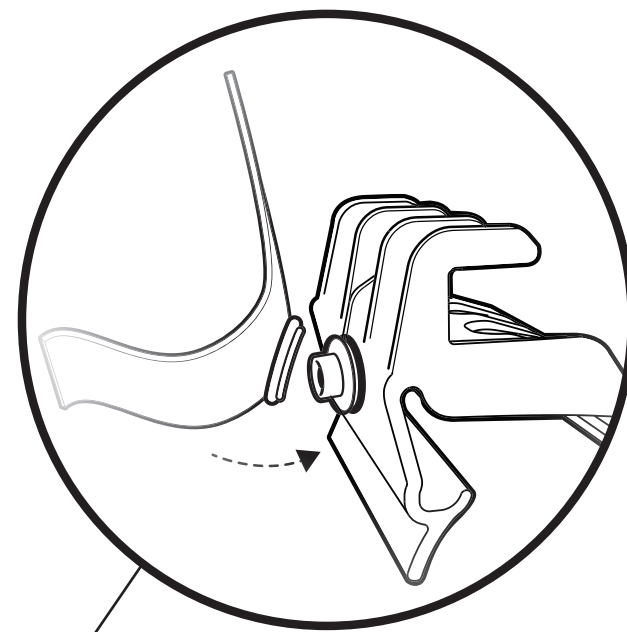


**Step 3**

Tuck the plastic strip along the bottom edge of the right Quarter Window under the Jeep belt rail, by rolling it up underneath the belt rail.

Repeat on the left Quarter Window.

**Step 4**



**Step 4**

Locate the straps with sewn-in snaps at the bottom inside corner of each Quarter Window.

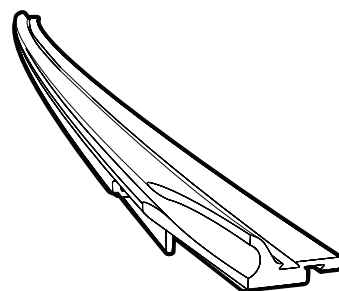
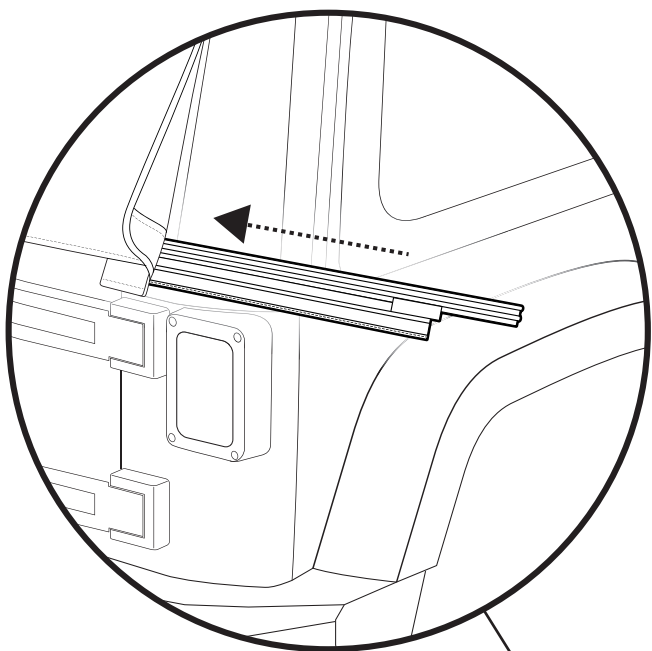
Snap the end of each strap to the snap on the inside of each Tailgate Bar Mount.



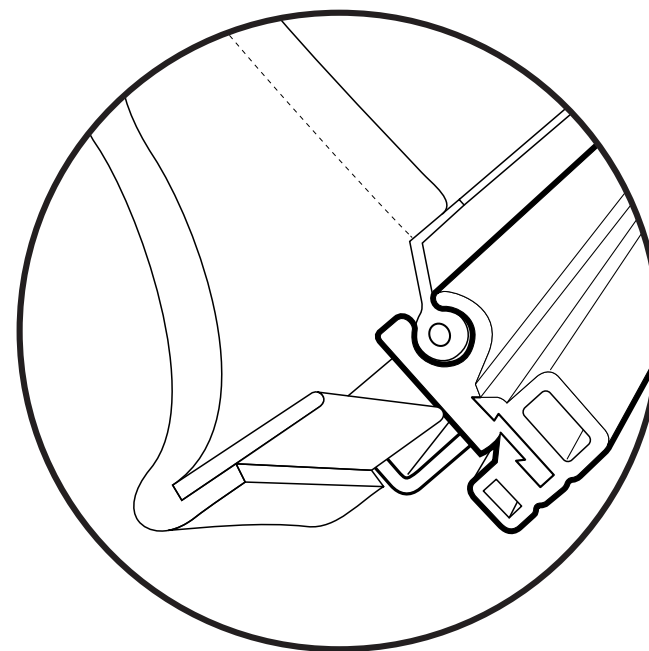
**Step 1** 538.76

**Hardware**

**Step 2**



Tailgate Bar  
Qty. 1  
Part #538.76



**Step 1**

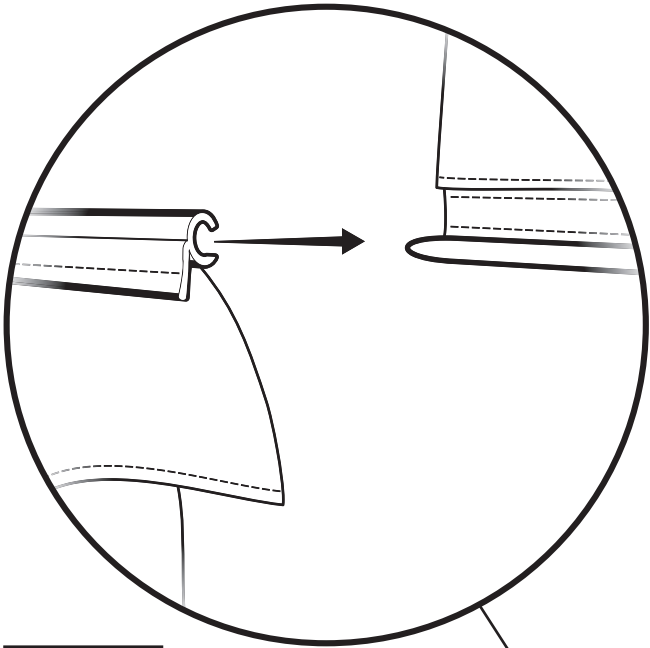
Locate the Tailgate Bar, and slide it onto the tubing attached to the bottom inside of the Rear Window.

**Step 2**

The round channel on the side of the Tailgate Bar slides over the tubing.



**Step 1** Rear Window



**Step 1**

Open the Jeep tailgate.

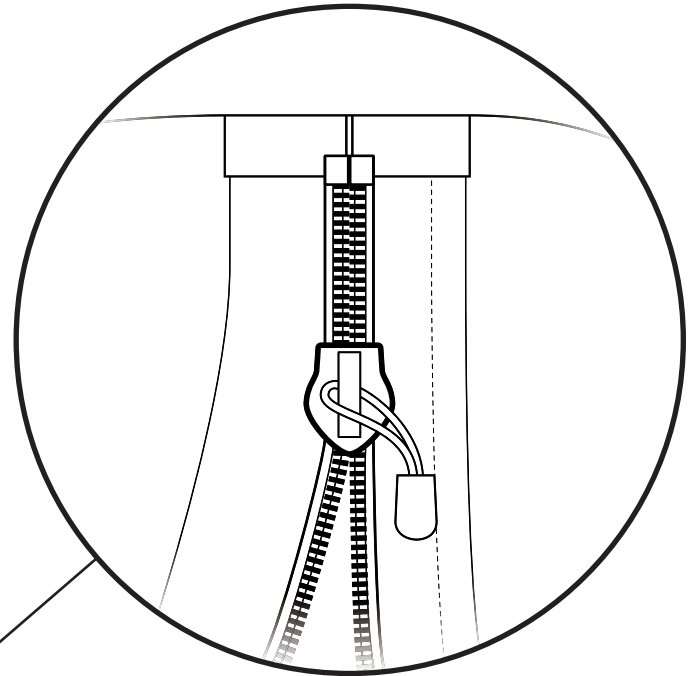
Locate the plastic channel along the rear lower edge of the top fabric.

Insert the tapered tip of the sewn-in plastic tube along the top edge of the Rear Window into the open end of the left side of the plastic channel.

Slide the Rear Window to the right until it stops at the right Rear Quarter Window.



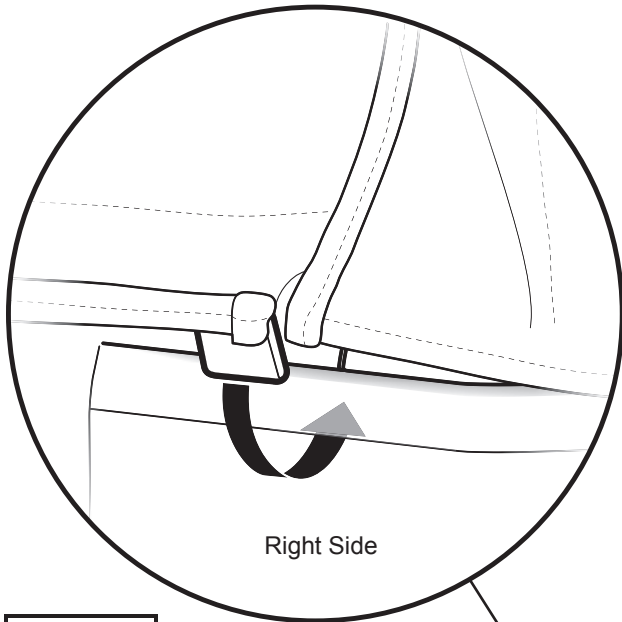
**Step 2**



**Step 2**

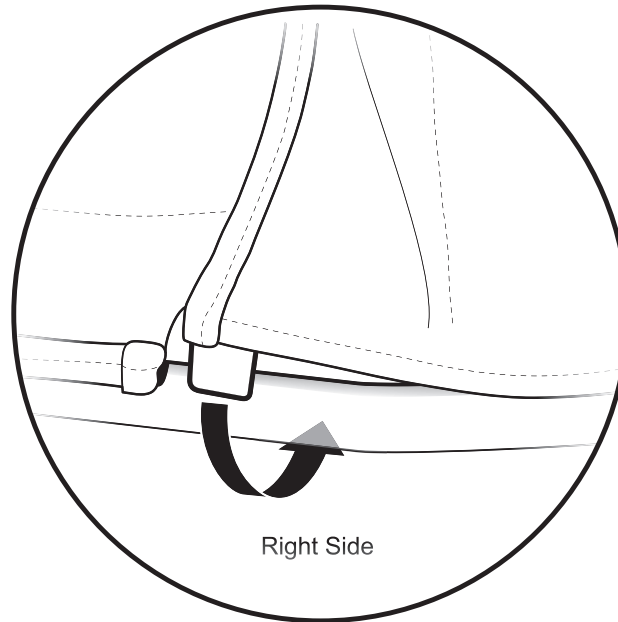
Zip the Rear Window to the Rear Quarter Windows on both sides.

**Step 3**



Right Side

**Step 4**



Right Side

**Step 3**

Tuck the plastic tab at the bottom right corner of the Rear Window under the Jeep belt rail.

Roll the tab up underneath the belt rail.

Repeat on the left side.

**Step 4**

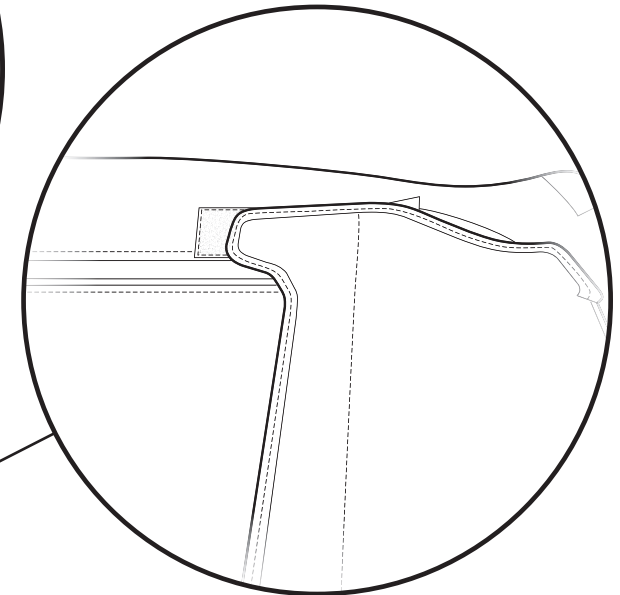
Tuck the plastic tab at the bottom rear corner of the right Rear Quarter Window under the Jeep belt rail.

Roll the tab up underneath the belt rail.

Repeat on the left side.



**Step 5**

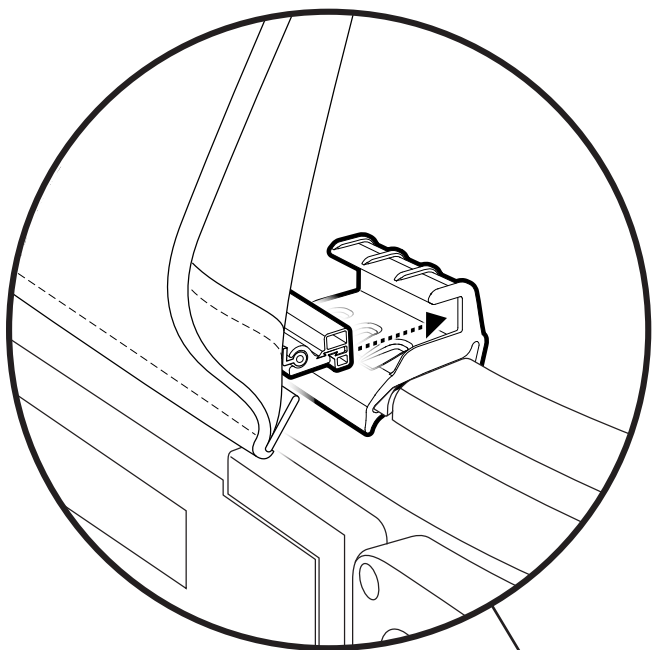


**Step 5**

Locate the hook and loop strip at the right rear corner of the top fabric. Attach the flap at the top corner of the right Quarter Window to the hook and loop strip.

Repeat on the left side of the Jeep.

**Step 1**

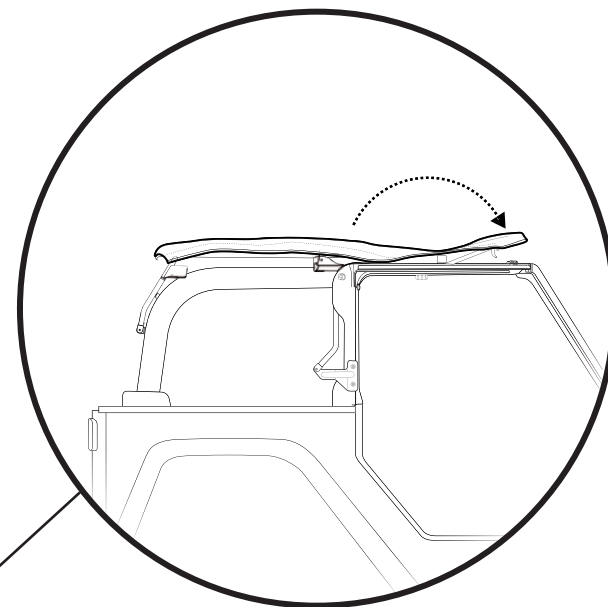


**Step 1**

Snap the front edge of the Tailgate Bar into the channel on each Tailgate Bar Mount.

Repeat for both sides of the tailgate.

**Step 2**

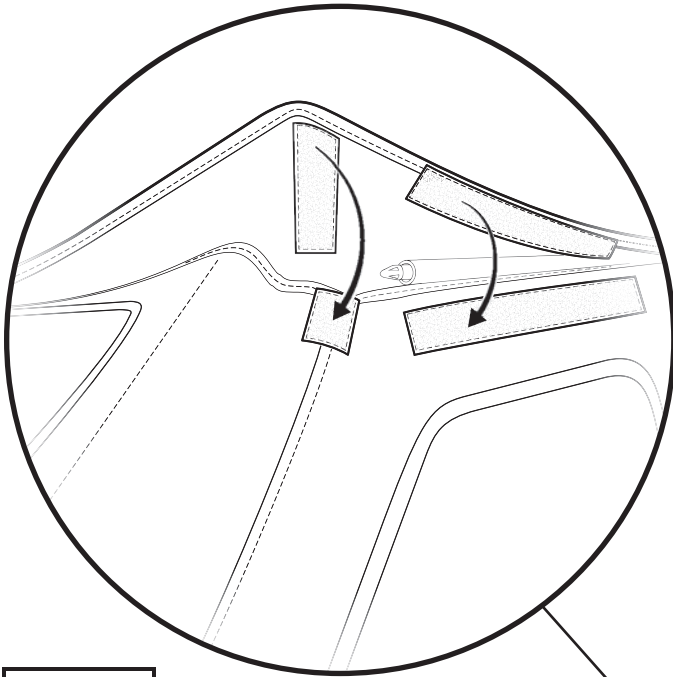


**Step 2**

Flip the Sunrider forward.



**Step 1**

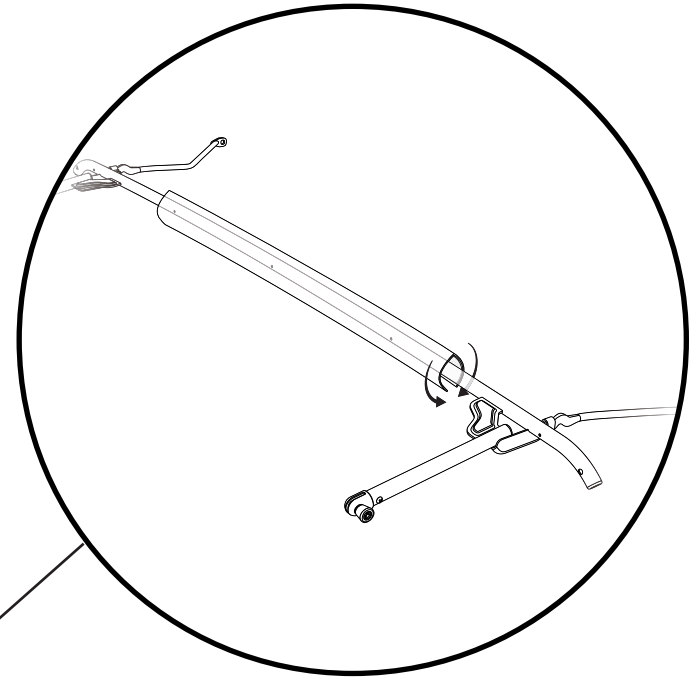


**Step 1**

Locate the Hook & Loop strips at the rear corners of the top fabric.

Snug the rear corners of the top by attaching the Hook & Loop strips on the underside of the top fabric to the strips along the top edges of the Quarter Window corners.

**Step 2**



**Step 2**

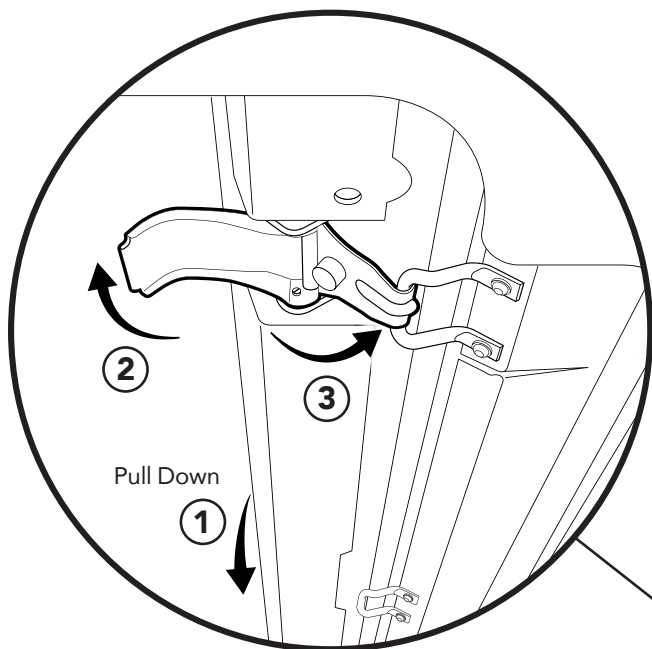
Inside the Jeep, locate the two flaps over the #2 Bow.

Wrap the flaps around the #2 Bow, and secure the flaps together with the Hook & Loop strips on each flap.

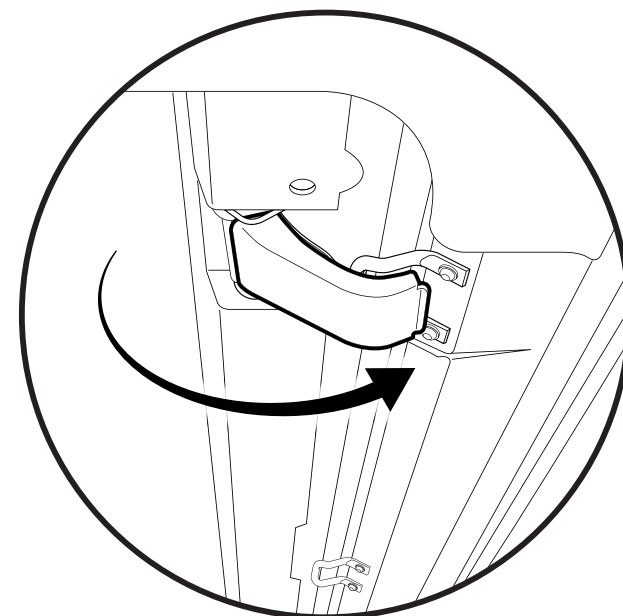




**Step 1**



**Step 2**



**Step 1**

From inside the Jeep, locate the two Windshield Header Latches. To close the latch, pull down on the center of the header and pivot the latch handle to the completely open position to allow the hook to engage the windshield loop. Now pivot the hook forward to engage the windshield loop.

**Step 2**

When the hook is engaged with the windshield loop, close the latch by pivoting it forward toward the windshield.





## Installation Instructions Trek Top NX Plus 2-Door

Vehicle Application:  
Jeep® Wrangler 2007-2017  
Part Number 56852

### WHAT BESTOP WARRANTS

Subject to the terms and conditions of sale, including any terms and conditions set forth by Bestop, Inc. ("Bestop" or "us" or "we") in our then-current terms of sale on our website (collectively, the "Terms"), Bestop represents and warrants that: the covered products listed in the "Covered Products and Warranty Periods" section (a "Product") will substantially be free from defects in materials and workmanship for the specified warranty periods set forth in that section.

### THE WARRANTY IS LIMITED AND CONDITIONAL

This warranty applies to the original purchaser of the Product only. The warranty is valid only as long as the original retail purchaser owns the vehicle upon which the Product is installed. The warranty expires should the Product be removed from the original vehicle or if the original vehicle is transferred to another owner. This warranty is not transferable or assignable. The warranty does not apply to Product bought from auction-style or price-bid websites.

THE LIMITED WARRANTY AND STATED REMEDIES ARE SOLE AND EXCLUSIVE AND IN LIEU OF ALL OTHER WARRANTIES AND REMEDIES, AND COMPANY EXPRESSLY DISCLAIMS ALL IMPLIED OR STATUTORY OR OTHER WARRANTIES, INCLUDING WITHOUT LIMITATIONS WARRANTIES OF MERCHANTABILITY, NON-INFRINGEMENT OR FITNESS FOR A PARTICULAR PURPOSE. IN NO EVENT WILL COMPANY BE LIABLE FOR ANY SPECIAL, INCIDENTAL, CONSEQUENTIAL, PUNITIVE, INDIRECT OR EXEMPLARY DAMAGES OF ANY KIND, INCLUDING LOST PROFITS OR REVENUE, HOWEVER CAUSED, WHETHER FOR BREACH OR REPUDIATION OF CONTRACT, TORT, BREACH OF WARRANTY, NEGLIGENCE, OR OTHERWISE, WHETHER OR NOT COMPANY WAS ADVISED OF THE POSSIBILITY OF SUCH LOSS OR DAMAGES.

Some states do not allow exclusion or limitation, so this may not apply to you. This warranty gives you specific legal rights, and you may have other rights which vary from state to state.

### EXCLUSIONS TO THE WARRANTY

The Limited Warranty excludes, and Bestop is not liable in any way for any warranty claims, damages, or defects related to:

- Misuse, abuse, accidents, vandalism, negligence, fire, or improper installation or modification, or improper or inadequate maintenance;
- Failure to comply with any Product documentation, Bestop instructions, or applicable law or regulations; use in extreme conditions
- Force Majeure including but not limited to, earthquake, hurricane, tornado, flooding, or other disasters natural or man-made, civil unrest, strikes, declared or undeclared war, or lack of performance by, or discontinued product of, supply chain partners whose products, software, operations or management is beyond the control of Bestop;
- Damage resulting in breakage (including without limitation, spontaneous breakage, accidental breakage or breakage by any other means) of a Product or any component part;
- Damage to vinyl windows due to misuse, or cracking due to varying weather conditions.

### YOUR SOLE REMEDY

During the applicable warranty period, Bestop shall, at its option, either repair or replace any Product that it confirms, in its discretion, is non-compliant with the warranties herein. Bestop will not pay for labor charges associated with installation or removal of the Product. Should a specific Product be discontinued, Bestop may, at its option, replace the discontinued Product with a current product or like product.

Please retain your proof of purchase. Original proof of purchase for the Product must accompany any warranty claim. If you have a warranty claim, first you must email Bestop Customer Service at [csbestop@bestop.com](mailto:csbestop@bestop.com) for instructions. All claims must be emailed to [csbestop@bestop.com](mailto:csbestop@bestop.com) within 30 days of discovery of a defective Product, but in no event later than thirty days after the end of the applicable Warranty Period (the "Warranty Notice Period"). Warranty claims made after the Warranty Notice Period are null and void and Bestop shall have no responsibility with respect to such claims.

THIS SECTION SETS FORTH BESTOP'S SOLE OBLIGATION & YOUR SOLE REMEDY WITH RESPECT TO ANY DEFECTS OR OTHER PRODUCT ISSUE. ANY PRODUCTS REPLACED UNDER TERMS OF THIS WARRANTY WILL BE COVERED UNDER TERMS & BALANCE OF THE DURATION OF THE ORIGINAL LIMITED WARRANTY FOR SUCH PRODUCT.



## Installation Instructions Trek Top NX Plus 2-Door

Vehicle Application:  
Jeep® Wrangler 2007-2017  
Part Number 56852

**COVERED PRODUCTS AND WARRANTY PERIODS:** The warranty time periods are as follows for Products manufactured by Bestop:

### **BESTOP® LIMITED LIFETIME WARRANTY**

Trektop® Pro Twill Fabric Top Sunrider® for Hardtop Twill Fabric Top  
Trektop® NX Glide Twill Fabric Top Replace-a-Top™ Twill Fabric Top  
Trektop® NX Twill Fabric Top Supertop® NX Twill Fabric Top  
EZFold™ Soft Tonneaus Floor & Cargo Liners  
ZipRail™ Soft Tonneaus Pet Barriers  
EZRoll™ Soft Tonneaus

### **BESTOP® 5-YEAR LIMITED WARRANTY**

Trektop® NX Glide™ Top (non-Twill) Sunrider® for Hardtop (non-Twill) Replace-a-Top™ Top (non-Twill) Trektop® NX Top (non-Twill)  
Sailcloth Replace-a-Top™ Supertop® NX Top (non-Twill)  
Tigertop™ and Halftop™ Supertop® Classic Soft Top Sunrider® Complete Soft Top Supertop® for Truck  
EZ Fold Hard Tonneau

### **BESTOP® 3-YEAR/100K MILES LIMITED WARRANTY**

Powerboard® & Powerboard® NX

Trekstep®, Side Mount  
Trekstep®, Rear Mount

### **BESTOP® 3-YEAR LIMITED WARRANTY**

Pavement Ends Sprint Top

### **BESTOP® 2-YEAR LIMITED WARRANTY**

Trektop® Classic Soft Top  
RoughRider™ Soft Storage

### **BESTOP® 1-YEAR LIMITED WARRANTY**

All other Bestop® & Pavement Ends™ products not specified above.

**For further information or request for warranty work, please contact:**

**Bestop Inc. Customer Service**  
**Toll-Free: (800)845-3567**  
**Main: (303)465-1755**  
**E-mail: [csbestop@Bestop.com](mailto:csbestop@Bestop.com)**  
**Website: [www.Bestop.com](http://www.Bestop.com)**