



Installation Instructions Trektop for Bronco 2 Door

Vehicle Application:
Ford Bronco 2 Door 2021-Current
Part Number 56872

Installation Tips

Before you begin installing your new Trektop, please read all the instructions thoroughly, and watch the Bestop Installation video. (See Support section on this page).

For easier installation, the top should vbe installed at a temperature above 72° F. Below this temprature, the fabric may contract making it difficult to fit the vehicle.w

! WARNING Do not rely in any way on the components of this product to protect against injury or death in the event of an accident. Never operate the vehicle in excess of manufacturer’s specifications.

Read and follow, precisely, all installation instructions provided when installing this product. Failure to do so may result in a poor fit and could place occupants of the vehicle in a potentially dangerous situation.







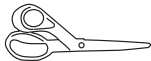
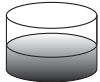

! CAUTION Safety glasses should be worn at all times when installing this product.

WEAR SEAT BELTS AT ALL TIMES

Tools

Installation Time

Support

 Safety Glasses	 T25, T30, T40 and T50 Torx Drivers	 Slotted Screwdriver
 5mm Allen Wrench	 Scissors	 50/50 Alcohol water Solution
		 Soft Cloth

1 30 1 HOUR 30 MINUTES

Skill Level

1 2 **3** 4

3 - Moderately Difficult

We're here to help! Go to:
<https://www.bestop.com>
and click on Need Help?



<https://www.bestop.com/video-library>



Installation Instructions Trektop for Bronco 2 Door

Vehicle Application:
Ford Bronco 2 Door 2021-Current
Part Number 56872

Sugerencias de Instalación

Antes de empezar a instalar esta unidad, lea atentamente todas las instrucciones.

Para un buen ajuste:

Para facilitar la instalación, el producto debe instalarse a temperaturas superiores a 72 °F (22 °C).

Por debajo de esta temperatura, la tela puede encogerse una pulgada o más, lo que dificultaría su ajuste al vehículo.

Es normal que la tela se contraiga o arrugue cuando está guardada en la caja de empaque. A los pocos días después de la instalación, la tela se relajará y las arrugas desaparecerán.



ADVERTENCIA

Este producto se diseñó principalmente para mejorar la apariencia del vehículo y proteger a los ocupantes de las condiciones climáticas comunes. De ninguna manera piense que los componentes de este producto pueden servir como medio de contención para los ocupantes del vehículo o que pueden protegerlos contra lesiones o la muerte en caso de accidente. Este producto no protegerá a los ocupantes contra caídas de objetos. Nunca conduzca este vehículo fuera de las especificaciones del fabricante.

USE LOS CINTURONES DE SEGURIDAD EN TODO MOMENTO

Lea y siga con precisión todas las instrucciones de instalación que se proporcionan para instalar este producto. Si no lo hace, podría producirse un mal ajuste que colocaría a los ocupantes del vehículo en una situación potencialmente peligrosa.



PRECAUCIÓN

Debe usar gafas protectoras en todo momento durante la instalación de este producto.

Conseils pour l'installation

Lire toutes les instructions au complet avant de commencer l'installation de cet assemblage.

Pour un ajustement sans problème :

Afin de faciliter l'installation, ce produit doit être installé à des températures au-dessus de 72 °F (22 °C).

Sous cette température, le tissu peut rétrécir d'un pouce (2,5 cm) ou plus, ce qui rendra l'ajustement sur le véhicule difficile.

Il est normal que le tissu rétrécisse et plisse pendant qu'il est dans la boîte d'expédition. En quelques jours après l'installation, le tissu se détendra et les plis disparaîtront.



AVERTISSEMENT

Ce produit est conçu principalement pour améliorer l'apparence du véhicule et pour protéger les occupants des conditions météorologiques usuelles. Ne jamais se fier aux composants de ce produit pour se protéger de blessures ou de la mort en cas d'accident. Ce produit ne protégera pas les occupants des chutes d'objets. Ne jamais utiliser le véhicule au-delà des caractéristiques techniques indiquées par le fabricant.

PORTER UNE CEINTURE DE SÉCURITÉ EN TOUT TEMPS

Lire et suivre, très fidèlement, toutes les instructions d'installation fournies lors de l'installation de ce produit. Ne pas suivre cette consigne peut causer une installation inadéquate et mettre les occupants du véhicule dans une situation potentiellement dangereuse.



MISE EN GARDE

Des lunettes de sécurité doivent être portées en tout temps lors de l'installation de ce produit.



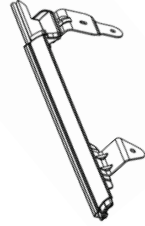
Installation Instructions Trektop for Bronco 2 Door

Vehicle Application:
Ford Bronco 2 Door 2021-Current
Part Number 56872

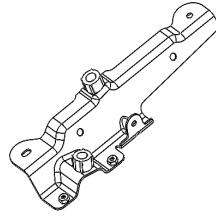
Parts List



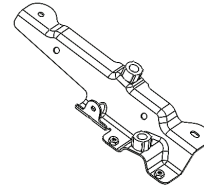
Front Door Rail Right
Part #599.16
Qty. 1



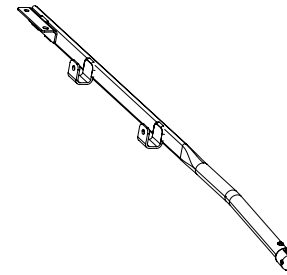
Front Door Rail Left
Part #599.17
Qty. 1



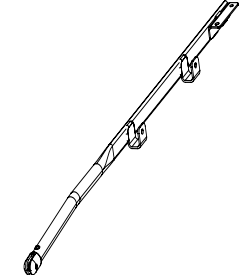
Main Pivot Bracket Right
Part #602.60
Qty. 1



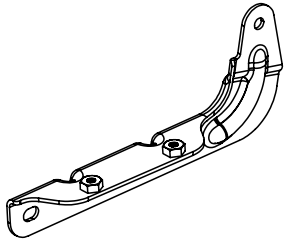
Main Pivot Bracket Left
Part #602.61
Qty. 1



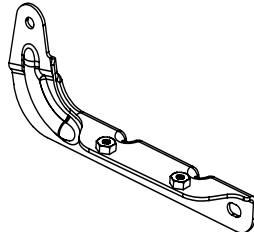
Front Side Rail Right
Part #600.82
Qty. 1



Front Side Rail Left
Part #600.83
Qty. 1



Link Control Bracket Right
Part #598.18
Qty. 1



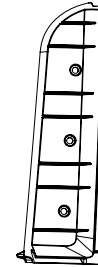
Link Control Bracket Left
Part #598.19
Qty. 1



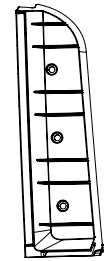
Retainer, Upper Quarter
Window Right
Part #599.06
Qty. 1



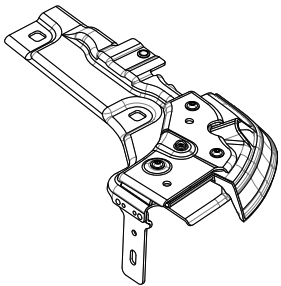
Retainer, Upper Quarter
Window Left
Part #599.07
Qty. 1



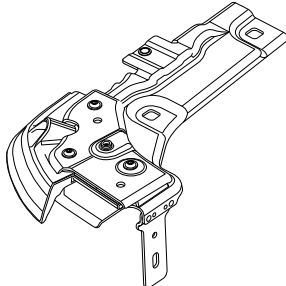
Vertical Window Retainer
Right
Part #597.58
Qty. 1



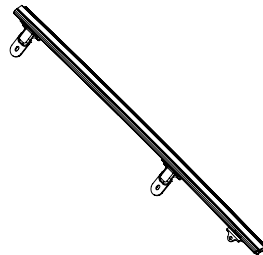
Vertical Window Retainer
Left
Part #597.59
Qty. 1



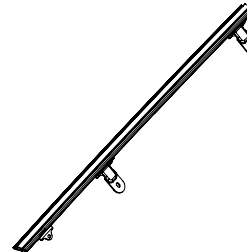
Tailgate Bar Retainer Right
Part #609.26
Qty. 1



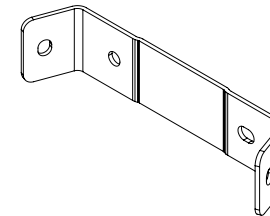
Tailgate Bar Retainer Left
Part #609.27
Qty. 1



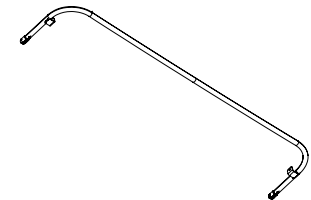
Belt Retainer Right
Part #597.80
Qty. 1



Belt Retainer Left
Part #597.81
Qty. 1



Rear Halo Mounting
Bracket
Part #599.39
Qty. 2



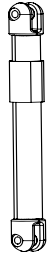
1.5 Bow Assembly
Part #602.46
Qty. 1



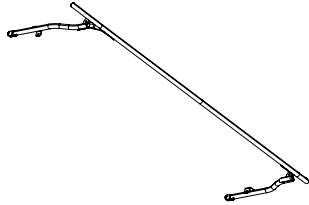
Installation Instructions Trektop for Bronco 2 Door

Vehicle Application:
Ford Bronco 2 Door 2021-Current
Part Number 56872

Parts List



Control Linkage
Part #602.75
Qty. 2



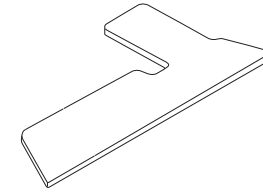
#2 Bow Assembly
Part #600.84
Qty. 1



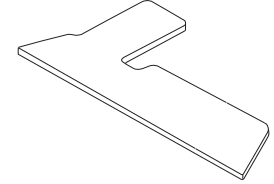
#2 Bow Control Link
Part #598.00
Qty. 2



Tailgate Retainer
Part #597.67
Qty. 1



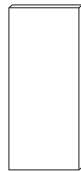
#1 Bow Foam Seal Rt
Part #615.66
Qty. 1



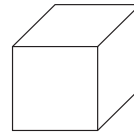
#1 Bow Foam Seal Lt
Part #615.67
Qty. 1



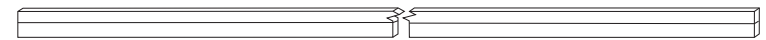
Quarter Window Retainer
Foam Large
Part #615.68
Qty. 2



Quarter Window Retainer
Foam Small
Part #615.69
Qty. 2



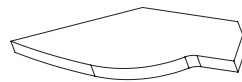
Tailgate Bar Retainer Foam
Part #615.70
Qty. 2



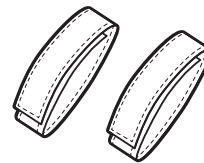
Belt Rail Retainer Foam
Part #615.71
Qty. 2



Vertical Window Retainer
Seal Right
Part #608.72
Qty. 1



Vertical Window Retainer
Seal Left
Part #608.73
Qty. 1



Sunrider Tie-Down Straps
Part #410.42
Qty. 2



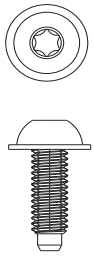
Seal, Belt
Part #596.65
Qty. 2



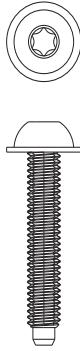
Installation Instructions Trektop for Bronco 2 Door

Vehicle Application:
Ford Bronco 2 Door 2021-Current
Part Number 56872

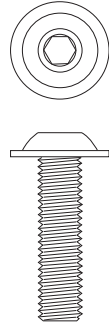
Parts List



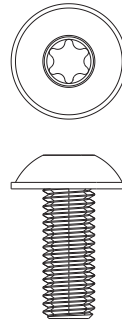
SCREW, M6 X 1.0 X 15mm
Part #533.61
Qty. 20
T-30 Torx



SCREW, M6 X 1.0 X 30mm
Part #533.19
Qty. 6
T-30 Torx



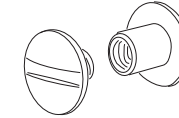
Screw, M8 X 1.25 X 30mm
Part #583.63
Qty. 6
5mm Hex Socket



Screw, M8 X 1.25 X 20mm
Part #573.09
Qty. 4
T-40 Torx



Spacer, 5.5MM
Part #603.20
Qty. 4



Screw, Binding Barrel
Part #599.01
Qty. 2



SCREW, Pivot Knuckle
Part #308.65
Qty. 16
T-30 Torx



Loctite Capsule
Part #309.83
Qty. 1



Front Seal Film Right (Shown)
Part #609.40
Qty.1

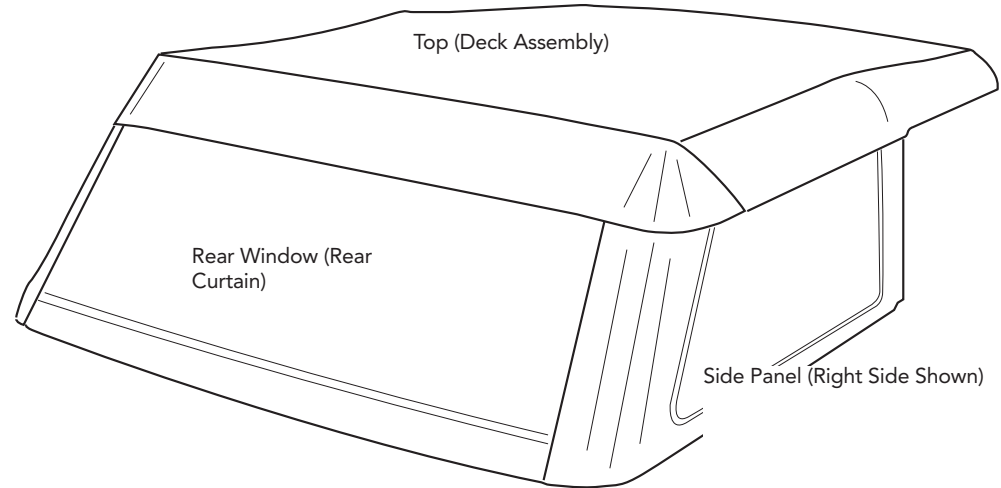
Rear Seal Film Right (Shown)
Part #609.42
Qty.1

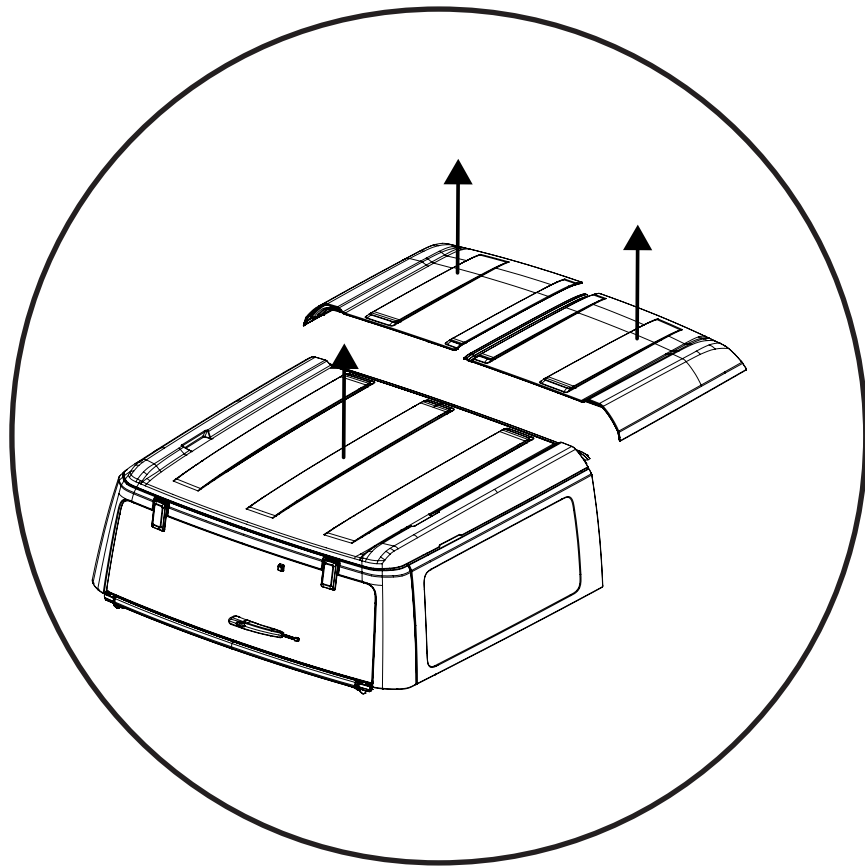
Front Seal Film Left
Part #609.41
Qty.1

Rear Seal Film Left
Part #609.43
Qty.1

Kit Part # 611.51

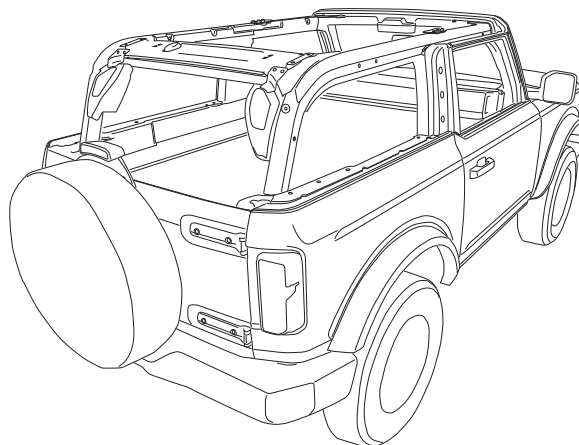
Note: Packaged with the windows



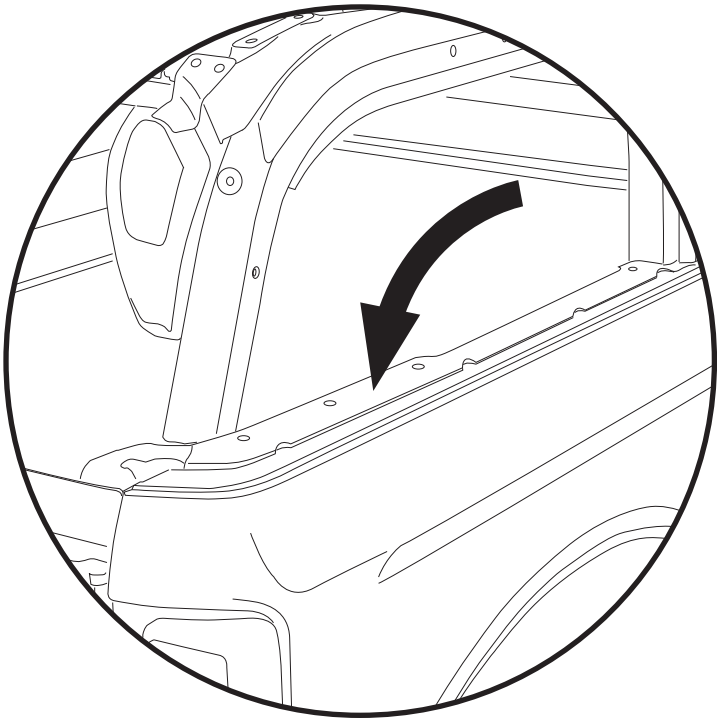


Remove the hardtop. (See owners manual for details)

Note: Some of the screws that are used to mount the hardtop will be used for the installation of the TrekTop.

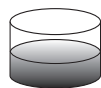


Step 1



Wipe the top edge of the body with the 50/50 Alcohol/Water solution and a soft cloth.

Tools

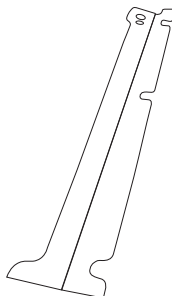


50/50 Alcohol
water Solution



Soft Cloth

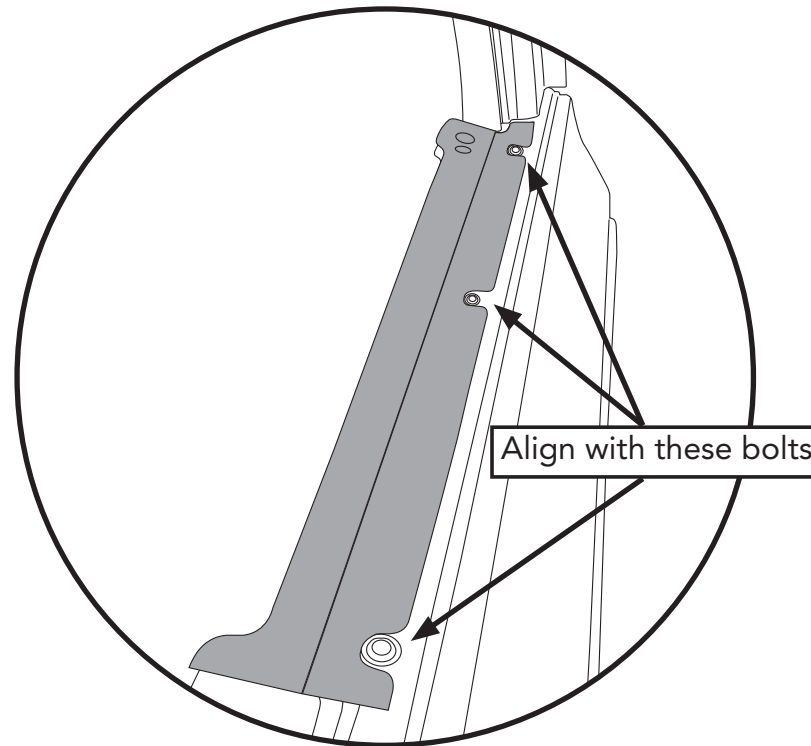
Parts



Front Seal Film Right (Shown)
Part #609.40
Qty.1

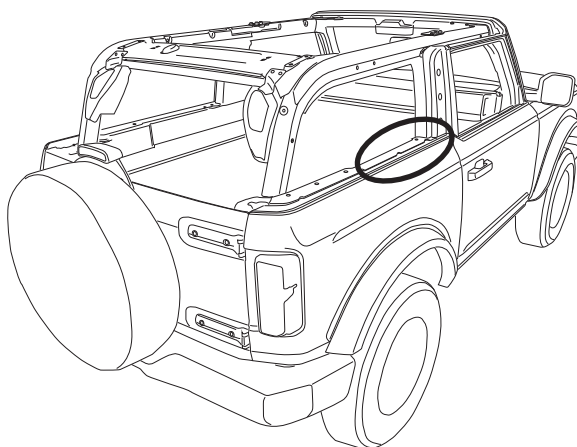
Front Seal Film Left
Part #609.41
Qty.1

Step 2

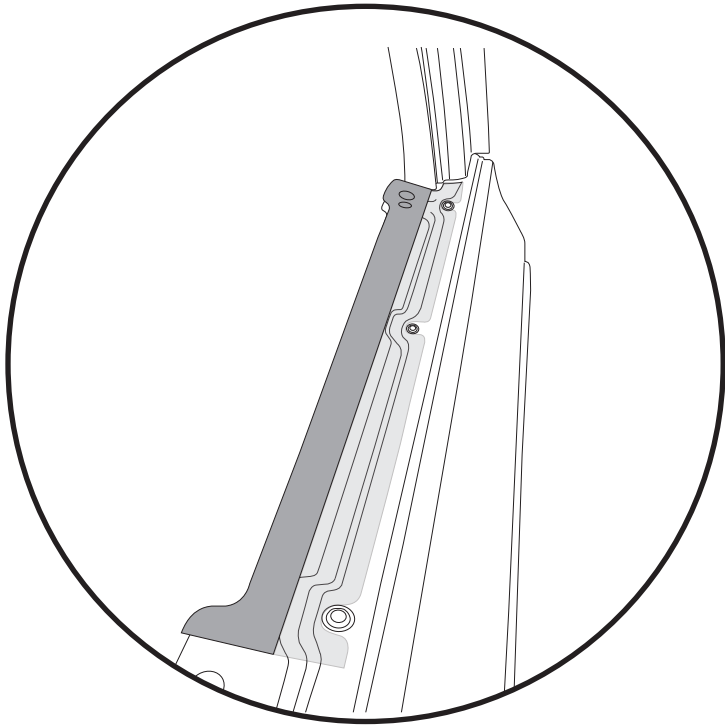


Align the cut outs to the fender bolts.

Note: It is very important to align the cut outs to the fender bolts first.

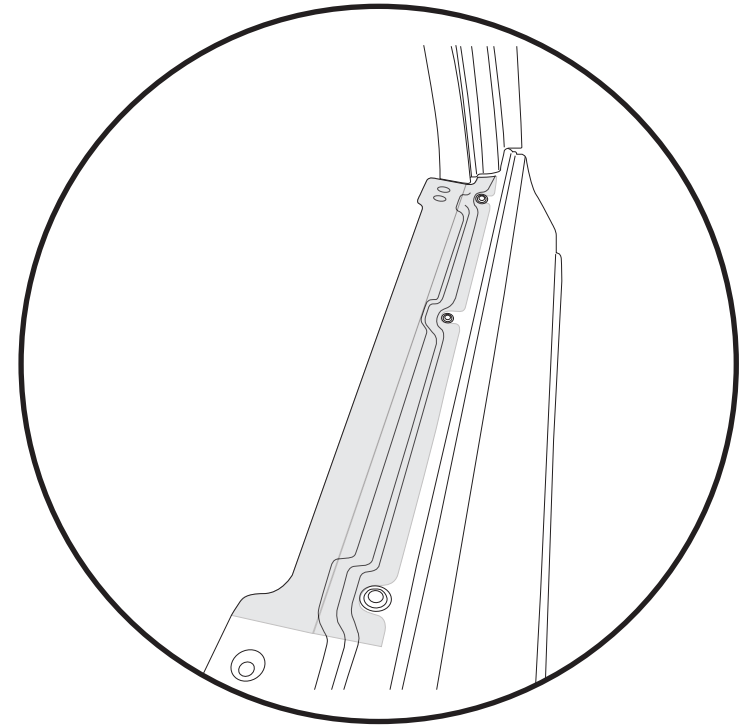


Step 3

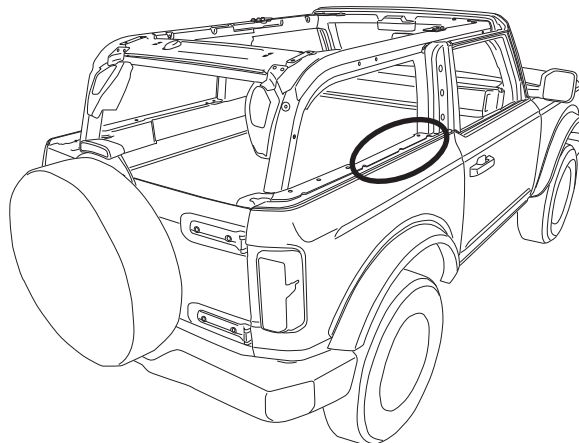


Remove the paper backing from the adhesive on the side with the cut outs and adhere the film to the vehicle.

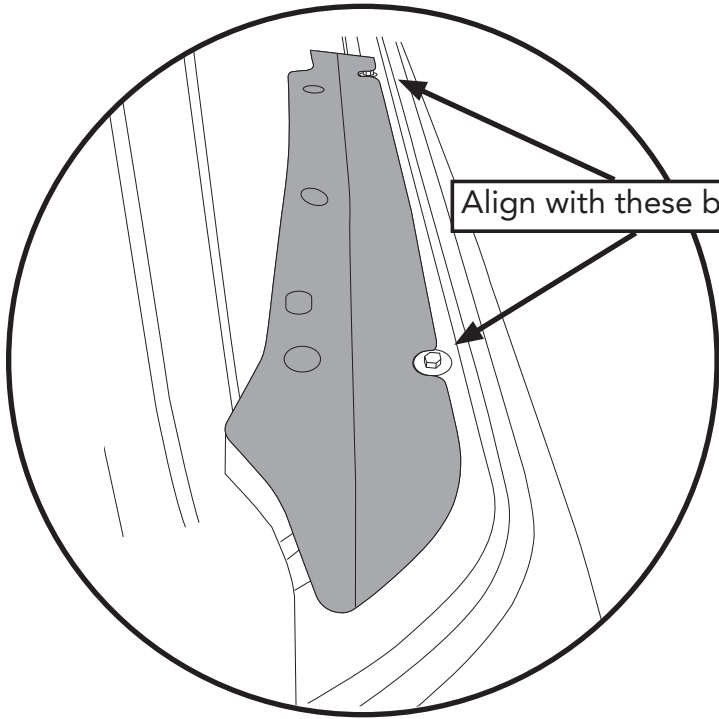
Step 4



Remove the paper backing from the other side of the film and adhere the rest of the film to the vehicle.

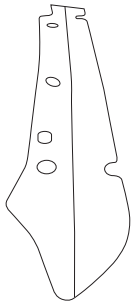


Step 1



Align with these bolts

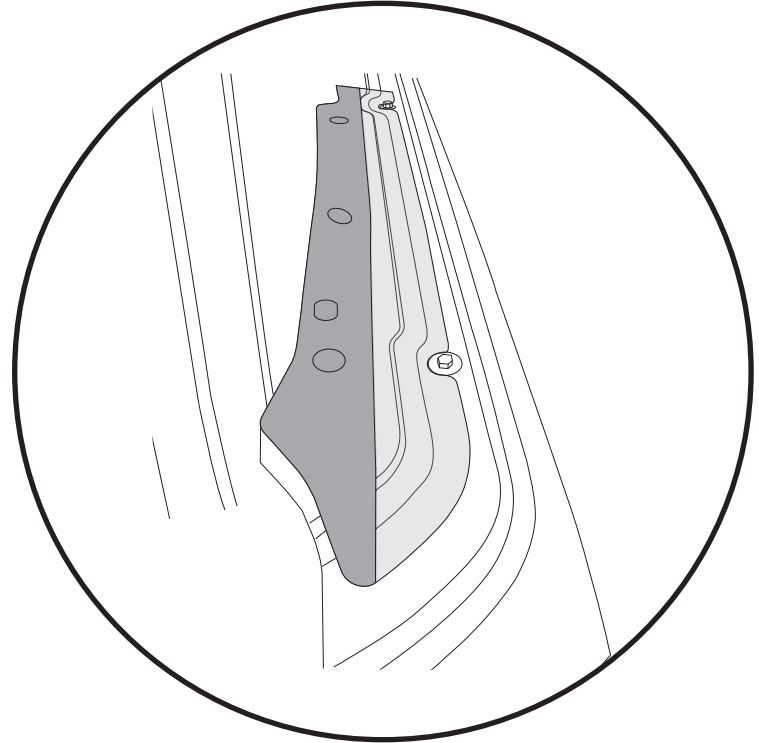
Parts



Rear Seal Film Right (Shown)
Part #609.42
Qty.1

Rear Seal Film Left
Part #609.43
Qty.1

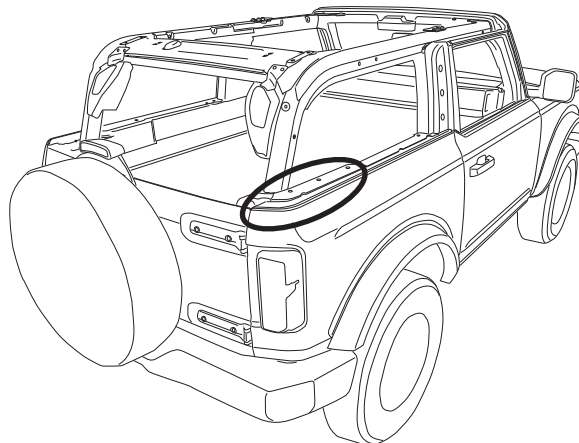
Step 2



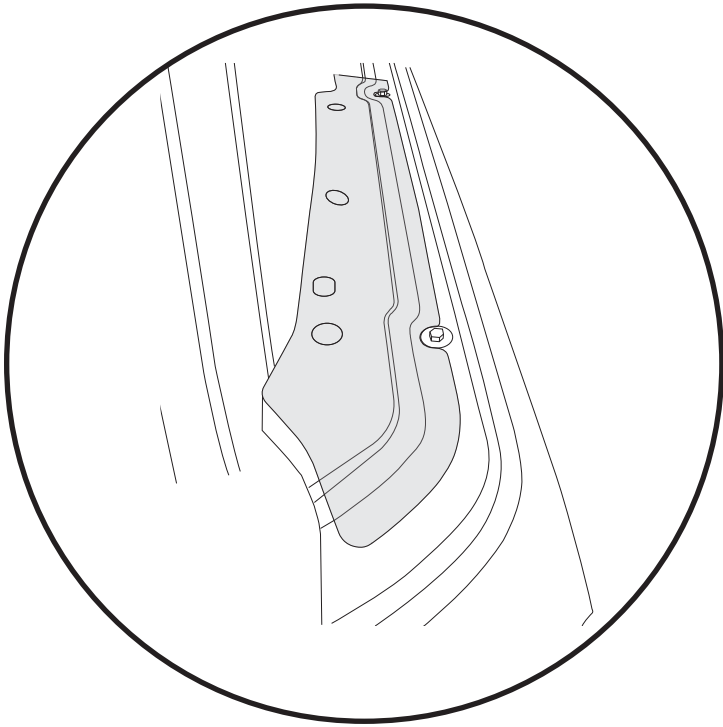
Align the cut outs to the fender bolts.

Note: It is very important to align the cut outs to the fender bolts first.

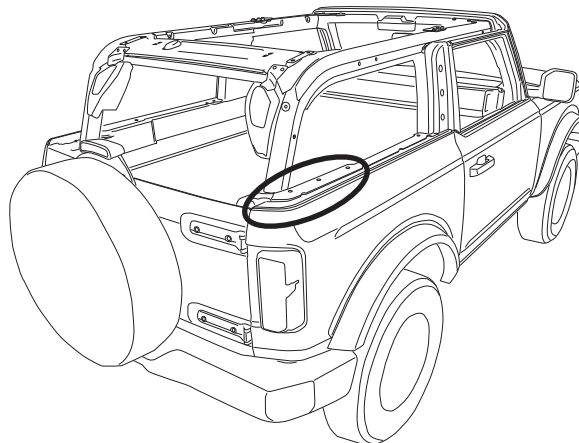
Remove the paper backing from the adhesive on the side with the cut outs and adhere the film to the vehicle.



Step 3



Remove the paper backing from the other side of the film and adhere the rest of the film to the vehicle.



Tools



50/50 Alcohol water Solution



Soft Cloth



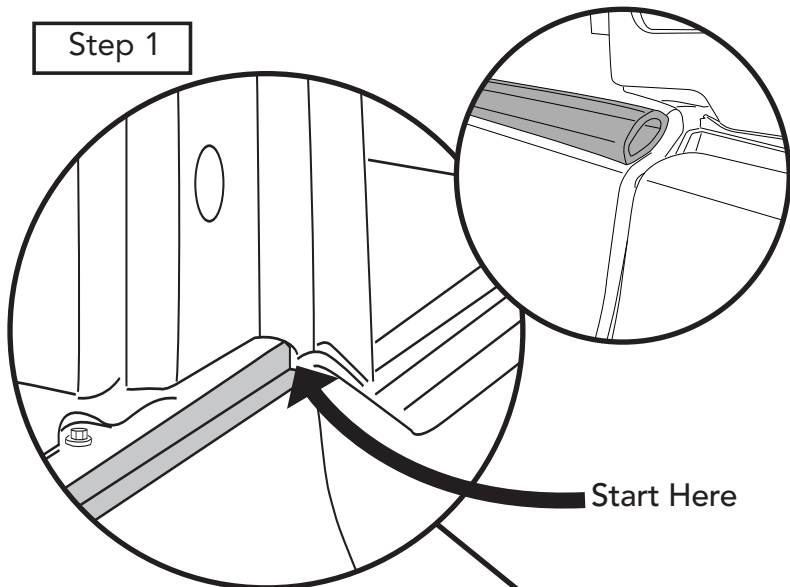
Scissors

Parts



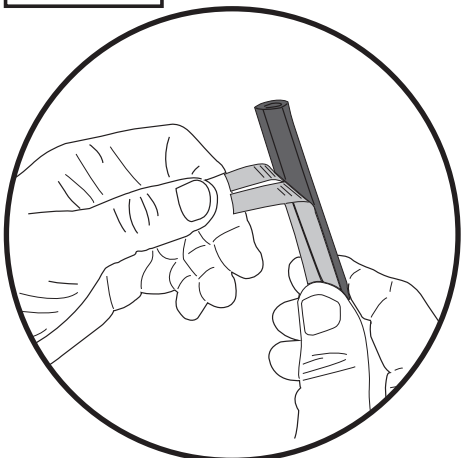
Seal, Belt
Part #596.65
Qty. 2

Step 1



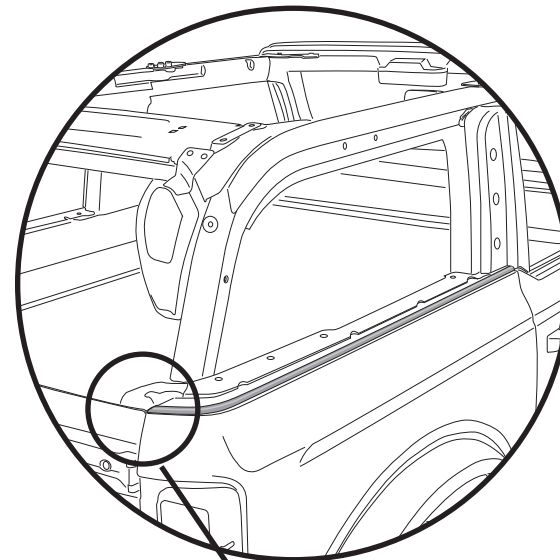
Wipe the edge of the body with the 50/50 Alcohol/Water solution with the soft cloth.

Step 2

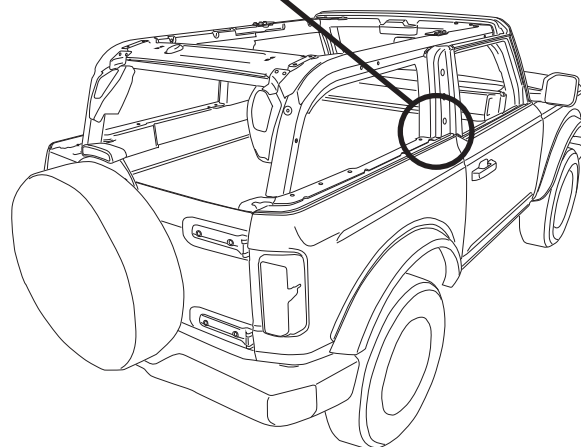


Start to remove the adhesive protective strip and place the end of the Seal down on the top edge of the body.

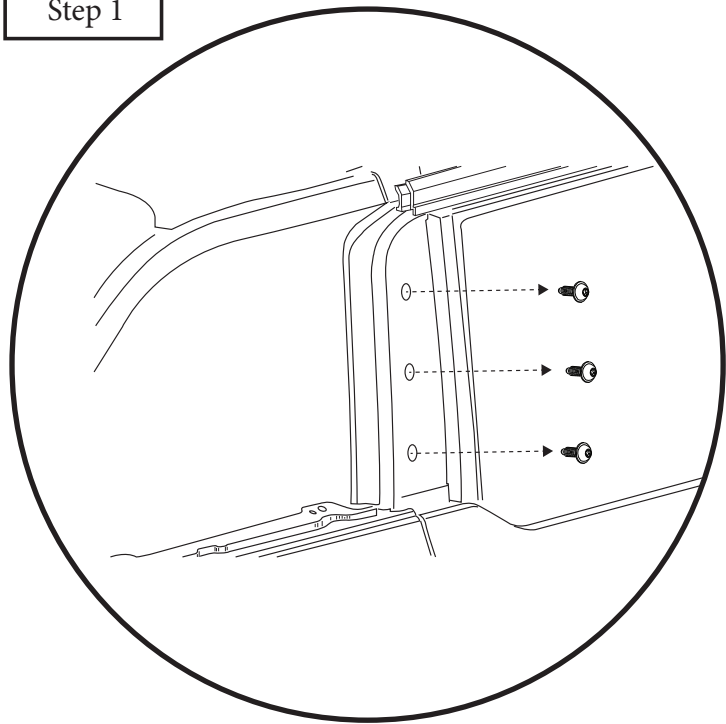
Step 3



Continue removing the protective strip from the seal as you place it along the top edge of the body. When you reach the tailgate opening, Clip the excess seal with a pair of scissors. Repeat these steps on the left side of the vehicle.



Step 1



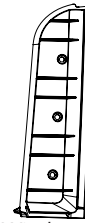
Remove three (3) bolts. Retain these bolts in case you want to re-install the hard top.

Tools

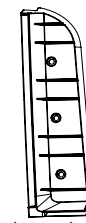


T30
Torx Driver

Parts



Vertical Window Retainer
Right
Part #597.58
Qty. 1

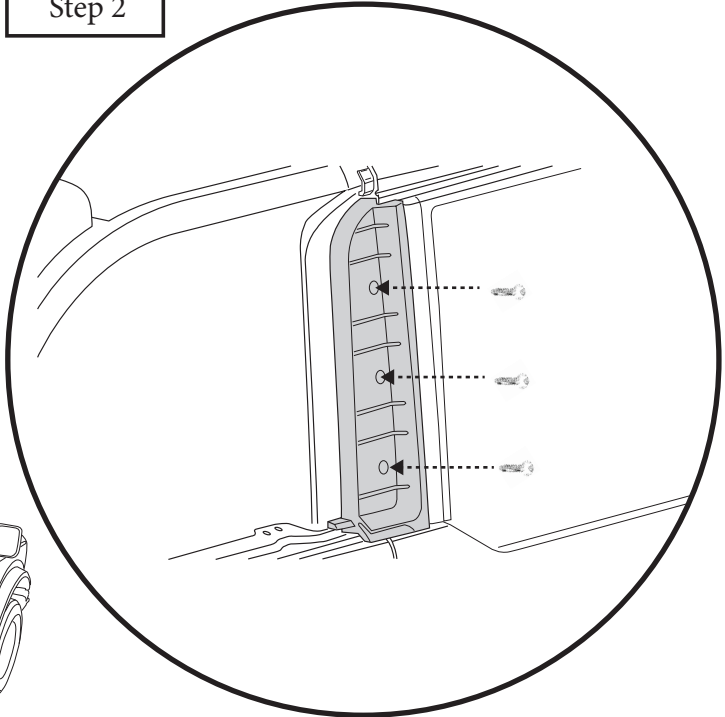


Vertical Window Retainer
Left
Part #597.59
Qty. 1

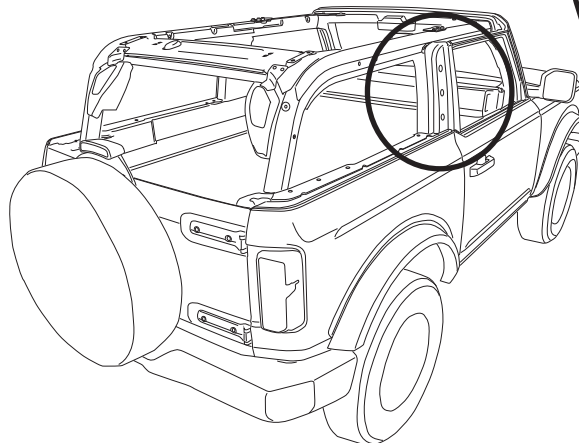


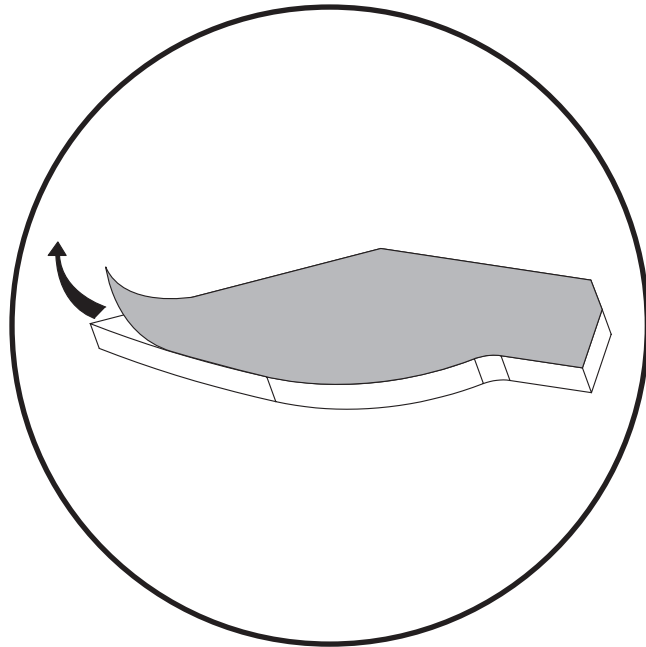
SCREW, M6 X 1.0 X 30mm
Part #533.19
Qty. 6
T-30 Torx

Step 2



Place the Vertical Window Retainer Right (Part # 597.58) on the vehicle then attach with three (3) M6 x 30mm Screws (Part #533.19). Repeat this step on the left side of the vehicle.

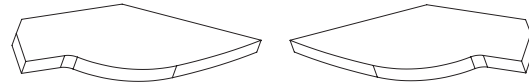




Peel the protective paper from the back of the Vertical Window Retainer Seal Right, (Part#608.72) flip it over then place it on the top of the of the Vertical Window Retainer Right.

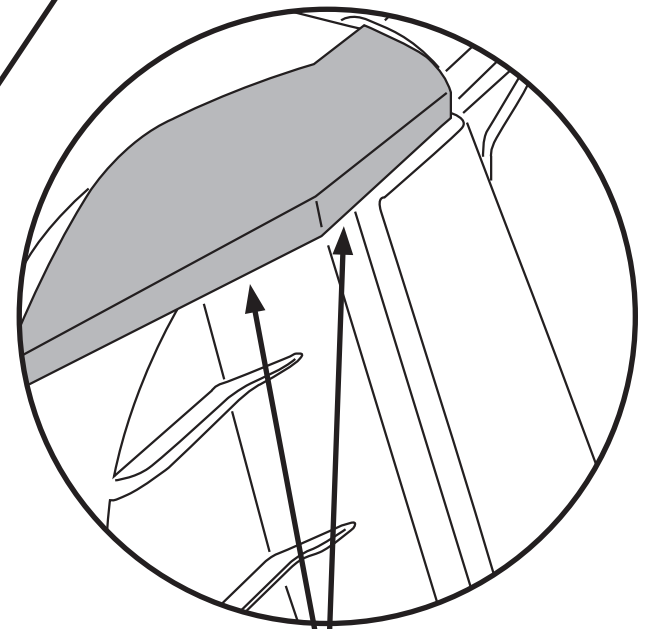
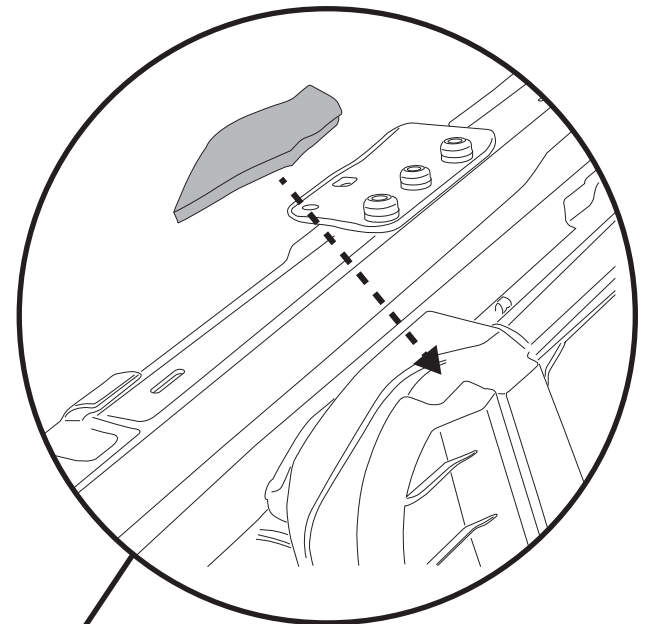
Repeat this step on the left side of the vehicle.

Parts

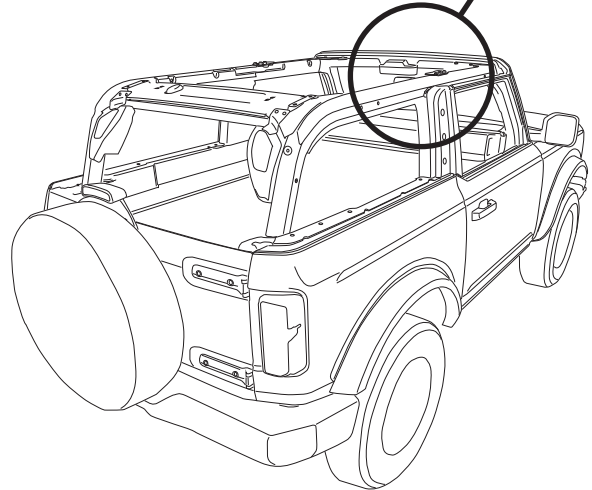


Vertical Window Retainer Seal Right
Part #608.72
Qty. 1

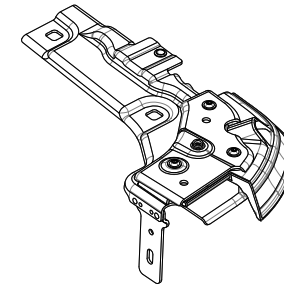
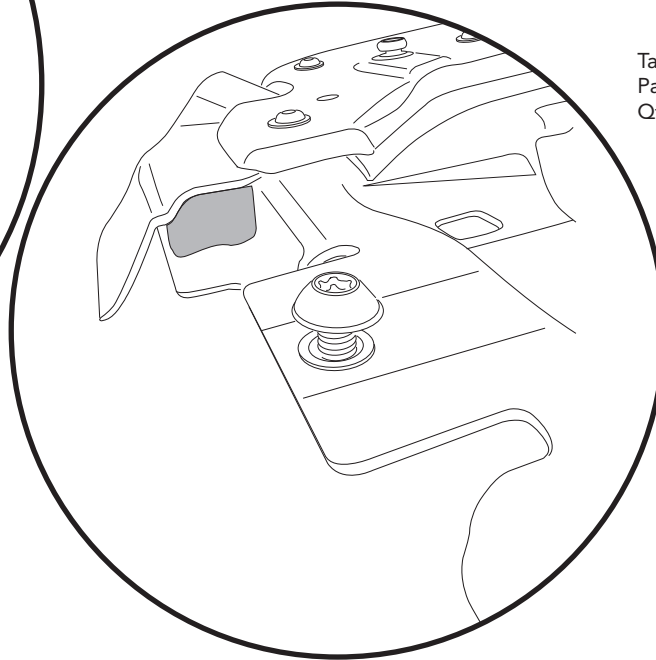
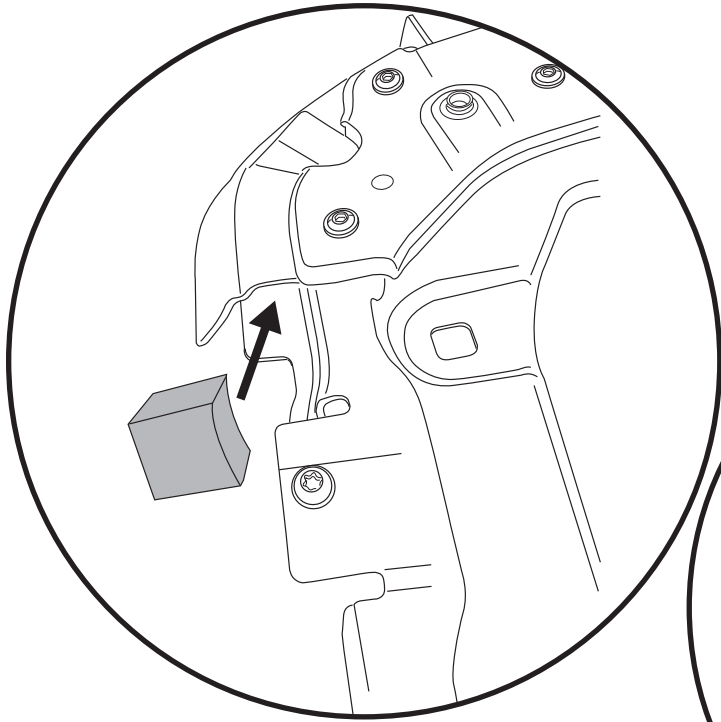
Vertical Window Retainer Seal Left
Part #608.73
Qty. 1



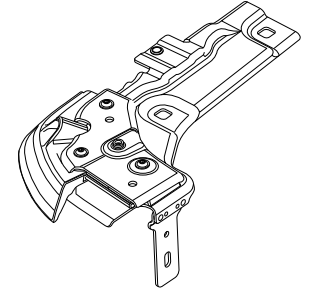
Align Here



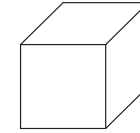
Parts



Tailgate Bar Retainer Right
Part #609.26
Qty. 1



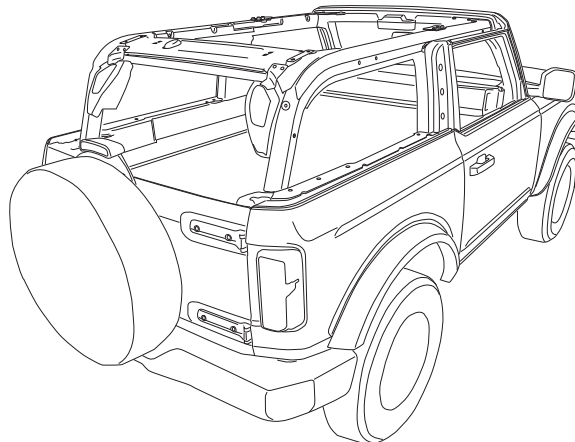
Tailgate Bar Retainer Left
Part #609.27
Qty. 1

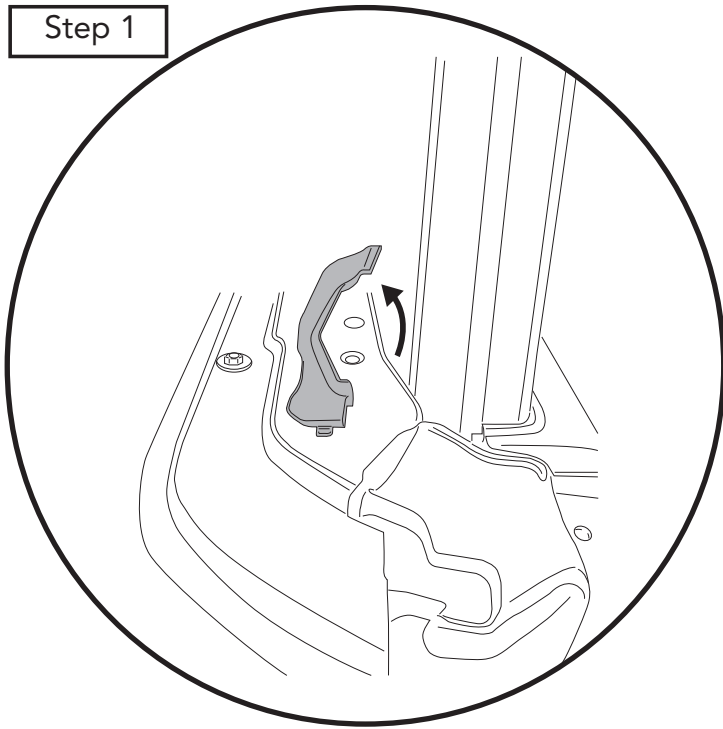


Tailgate Bar Retainer Foam
Part #615.70
Qty. 2

Stuff the Tailgate Bar Retainer Foam between the upper and lower pieces of the Tailgate Bar Retainer.

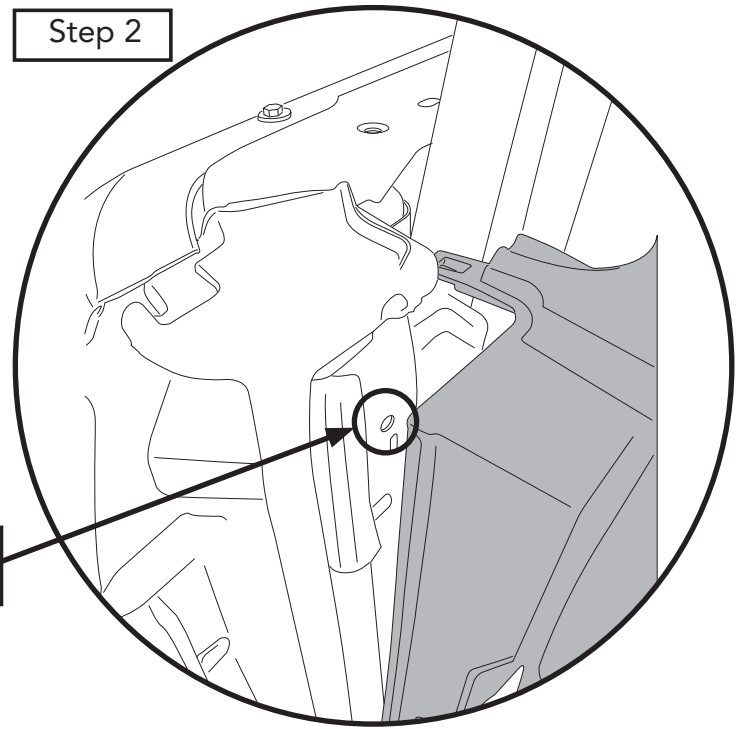
Repeat this step on the left side Tailgate Bar Retainer.





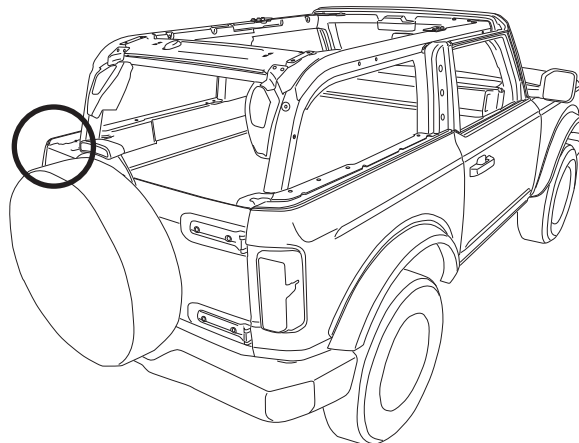
Remove plastic trim piece

Repeat this step on the right side of the vehicle.

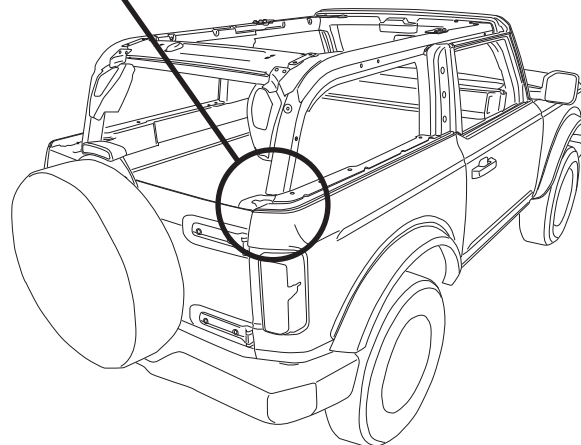
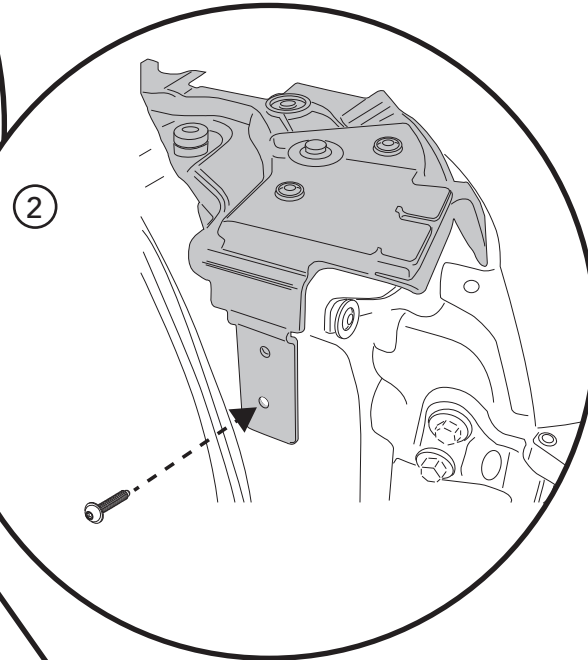
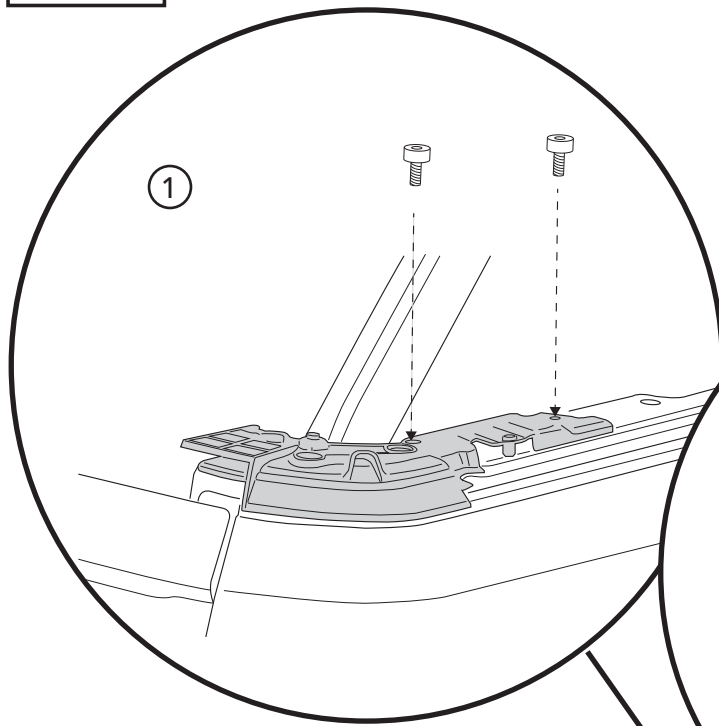


Pull back the top of the rear trim cover for access the threaded hole.

Repeat this step on the right side of the vehicle.



Step 3

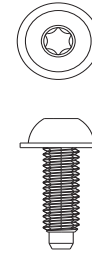


Tools

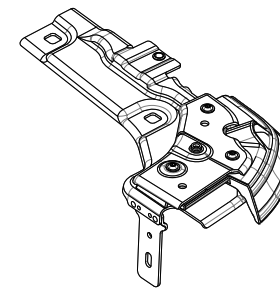


T30
Torx Driver

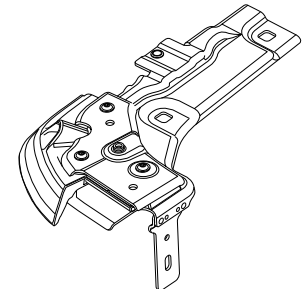
Parts



SCREW, M6 X 1.0 X 15mm
Part #533.61
Qty. 2
T-30 Torx

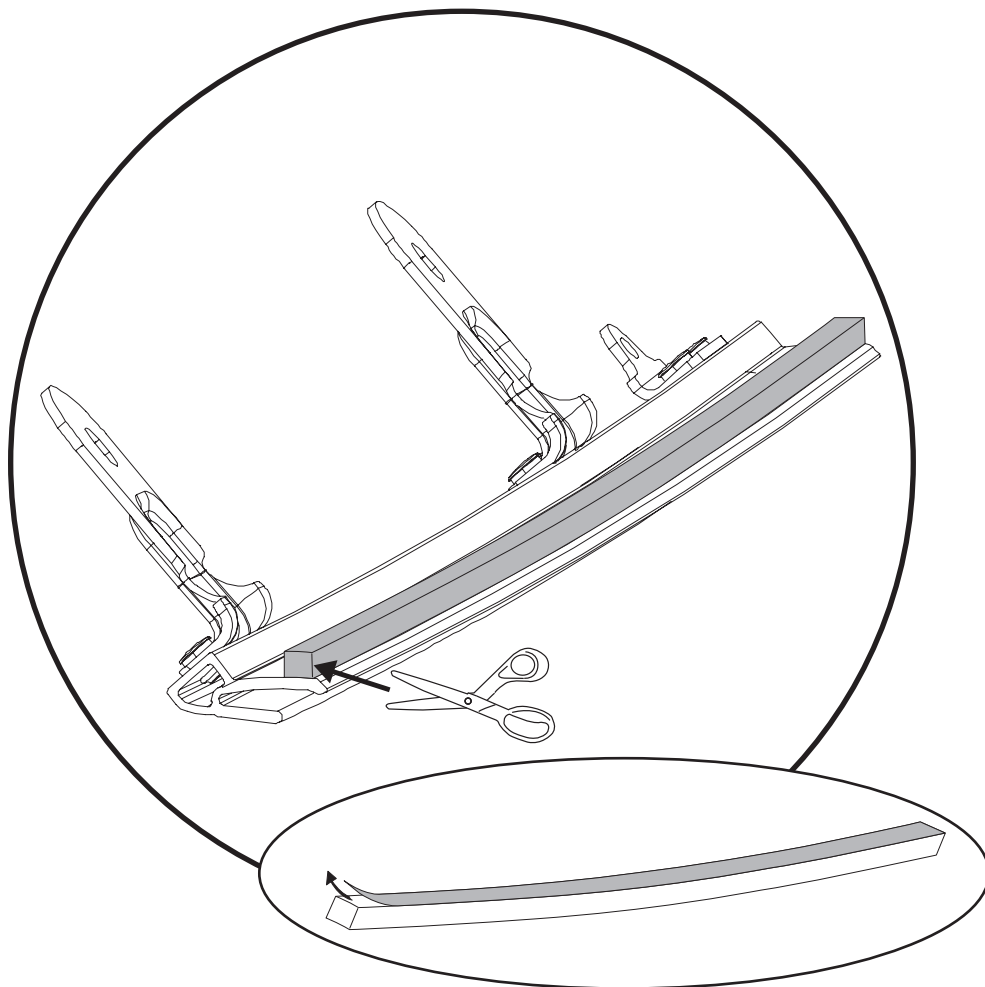


Tailgate Bar Retainer Right
Part #609.26
Qty. 1



Tailgate Bar Retainer Left
Part #609.27
Qty. 1

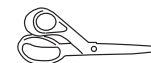
- ① Open the Tailgate.
① Place the Tailgate Bar Retainer (Part #609.26 Right Side) and (Part # 609.27 Left Side) on the corner of the vehicle and attach with two (2) M8 x 24mm bolts that were removed when the Hard Top was removed.
- ② Attach the tab that is hanging down into the tailgate opening with a M6 x 1.0 x 15 Screw (Part #533.61)
Repeat this step on the left side of the vehicle.



Peel the protective strip from the back of the Belt Rail Retainer Foam then place it on the under side of the Belt Rail Retainer. Cut off excessive foam with scissors.

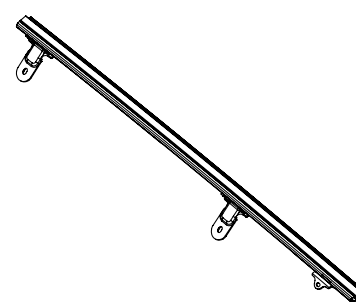
Repeat this step on the left side Belt Rail Retainer.

Tools

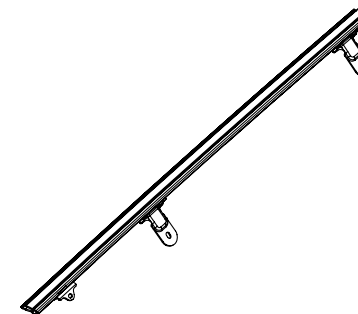


Scissors

Parts



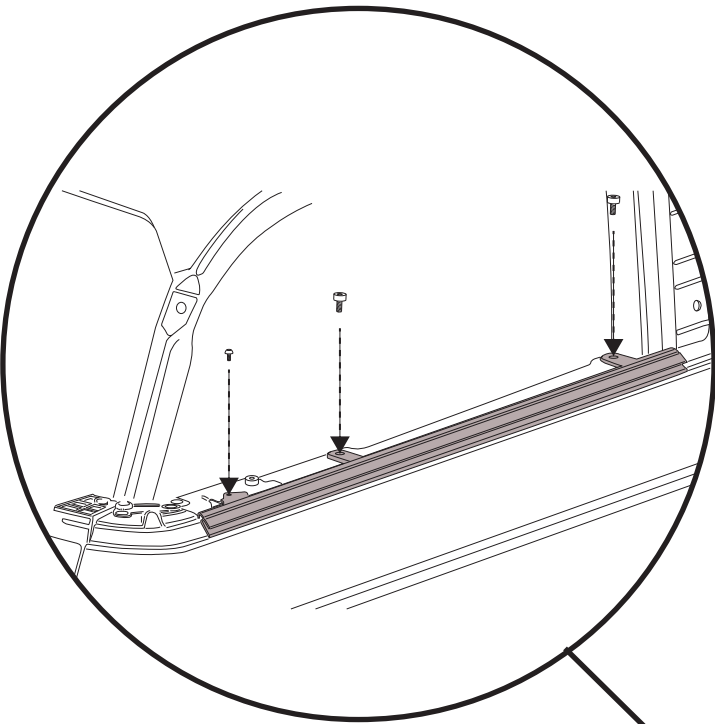
Belt Retainer Right
Part #597.80
Qty. 1



Belt Retainer Left
Part #597.81
Qty. 1

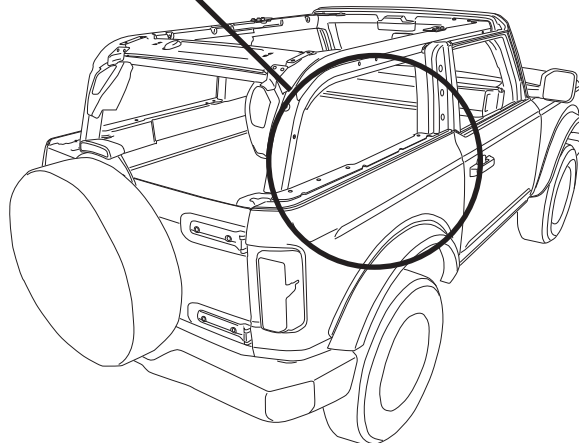


Belt Rail Retainer Foam
Part #615.71
Qty. 2



Attach the Belt Retainer Right (Part # 597.80) to the vehicle body using two (2) M8 x 24 mm Screws that were removed when the Hard Top was removed and one (1) M6 x 15mm screw (Part #533.61).

Repeat this step on the left side of the vehicle.

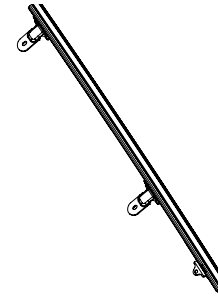


Tools

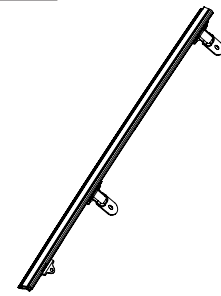


T30
Torx Driver

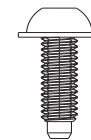
Parts



Belt Retainer Right
Part #597.80
Qty. 1

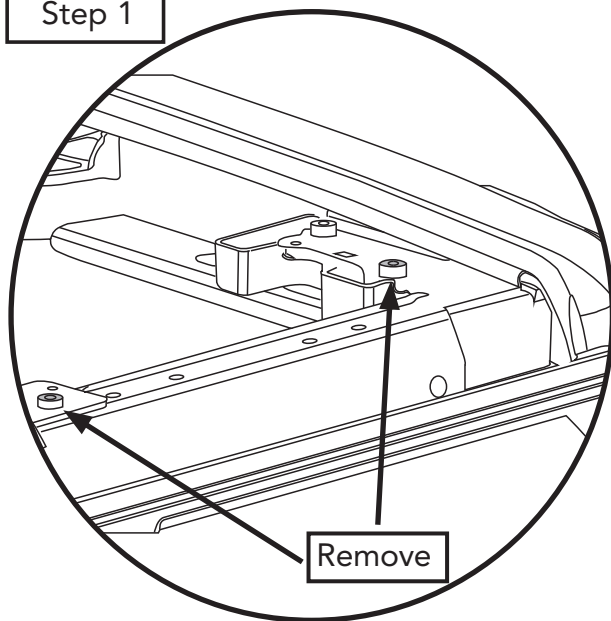


Belt Retainer Left
Part #597.81
Qty. 1



SCREW, M6 X 1.0 X 15mm
Part #533.61
Qty. 2
T-30 Torx

Step 1



Remove the bolts from the vehicle (two from each side) and hold onto it. These bolts will be reused later in the installation.

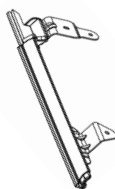
Note: Remember the place where the fasteners were removed from.

Tools

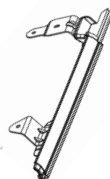


T50
Torx Driver

Parts



Front Door Rail Left
Part #599.17
Qty. 1

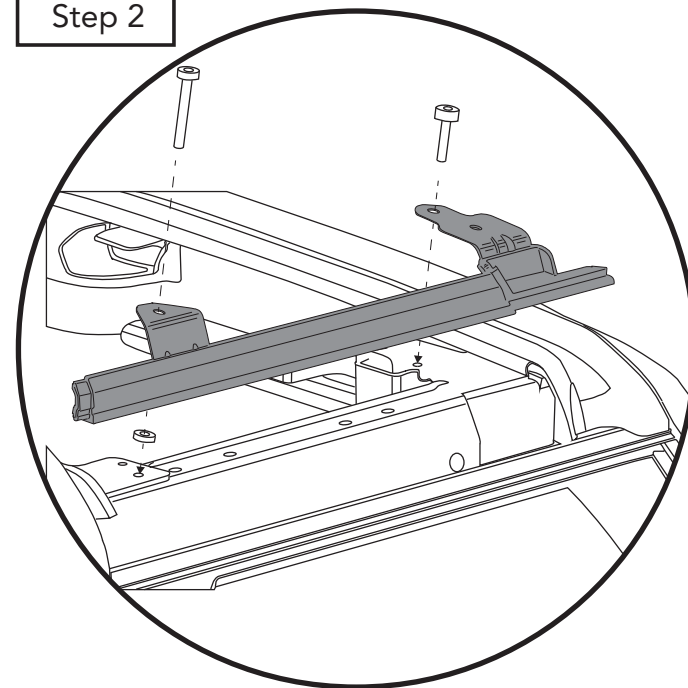


Front Door Rail Right
Part #599.16
Qty. 1



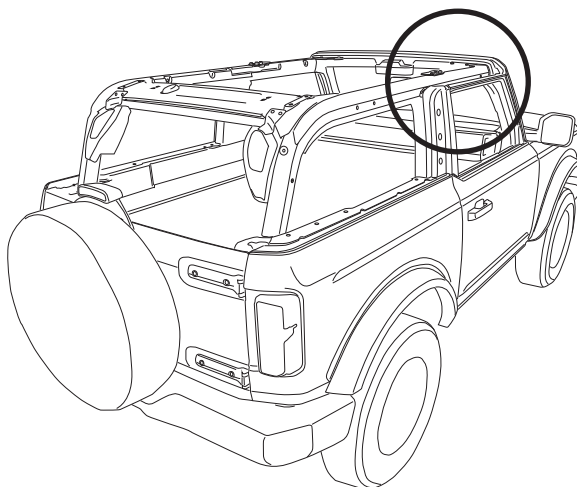
Spacer, 5.5MM
Part #603.20
Qty 2

Step 2



Attach Front Door Rails to the vehicle using the bolts that were removed from section 2 and one (1) 5.5 mm spacers (Part # 603.20).

Repeat this step on the left side of the vehicle.



Tools

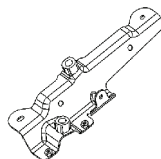


T50
Torx Driver

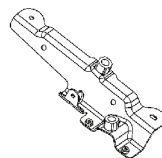


5mm
Allen Wrench

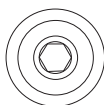
Parts



Main Pivot Bracket Right
Part #602.60
Qty 1



Main Pivot Bracket Left
Part #602.61
Qty 1



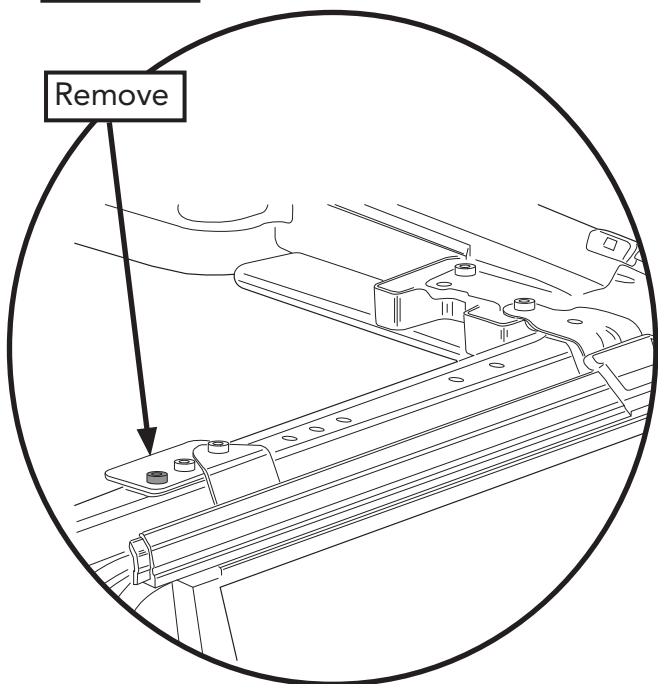
Screw, M8 X 1.25 X 30mm
Part #583.63
Qty. 2
5mm Hex Socket



Spacer, 5.5MM
Part #603.20
Qty. 2

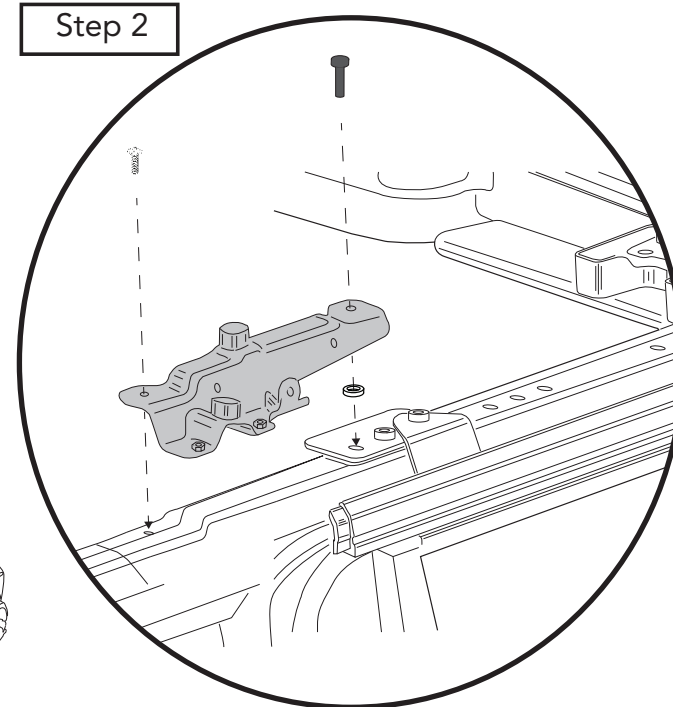
Step 1

Remove



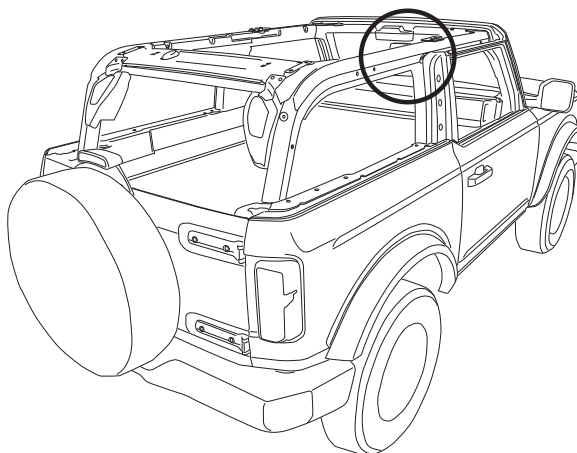
Remove the bolt shown in the illustration.

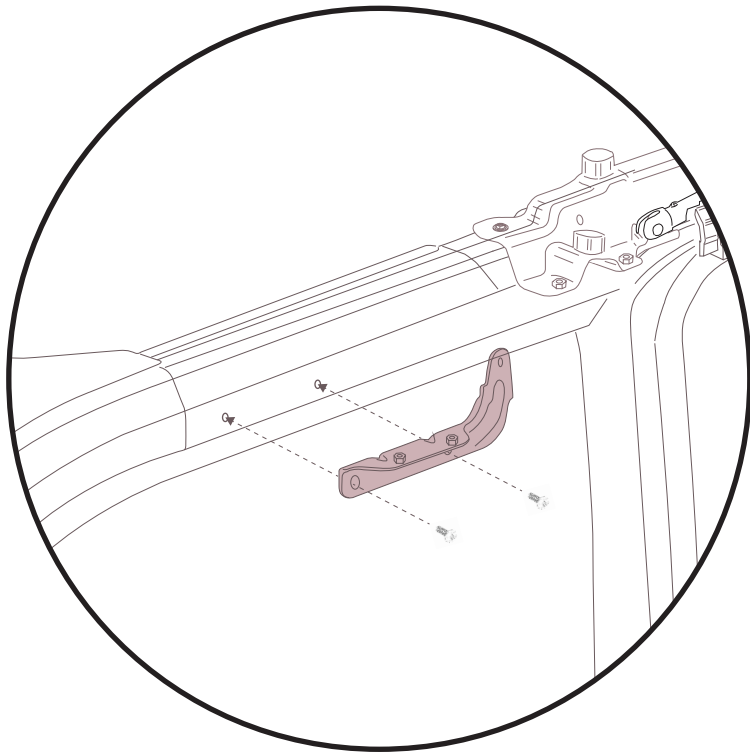
Step 2



Install the Main Pivot Bracket Right (Part # 602.60) Using the bolt that was removed in Step 1, A 5.5mm Spacer (Part # 603.20) and one (1) M8 x 30mm Screw (Part # 583.63).

Repeat this step on the left side of the vehicle.



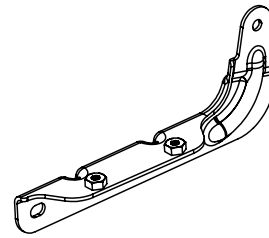


Tools

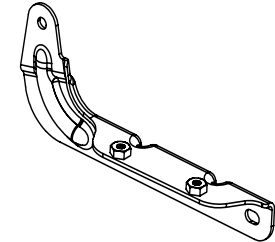


5mm
Allen Wrench

Parts



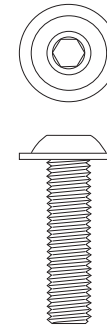
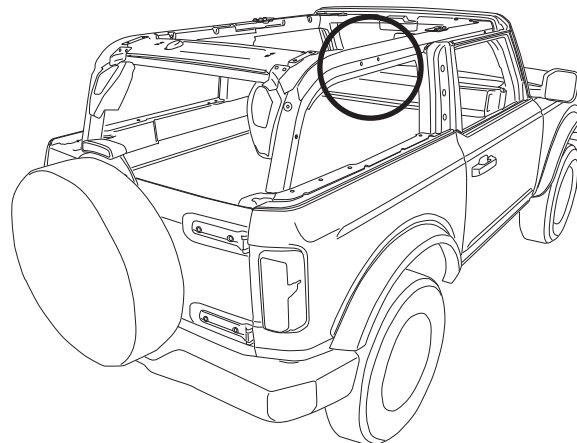
Link Control Bracket Right
Part #598.18
Qty. 1



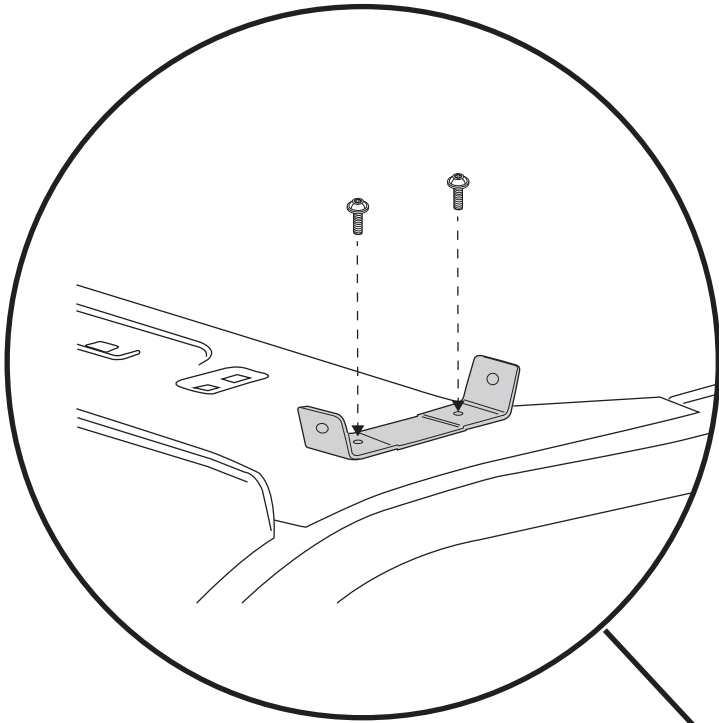
Link Control Bracket Left
Part #598.19
Qty. 1

Attach the Link Control Bracket Right (Part # 598.18) using two (2) M8x30mm Screws (Part # 583.63).

Repeat this step on the left side of the vehicle.



Screw, M8 X 1.25 X 30mm
Part #583.63
Qty. 4
5mm Hex Socket

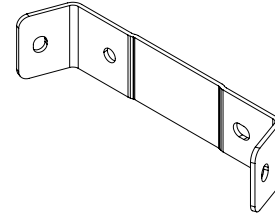


Tools

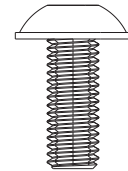
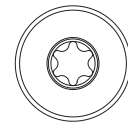


5mm
Allen Wrench

Parts

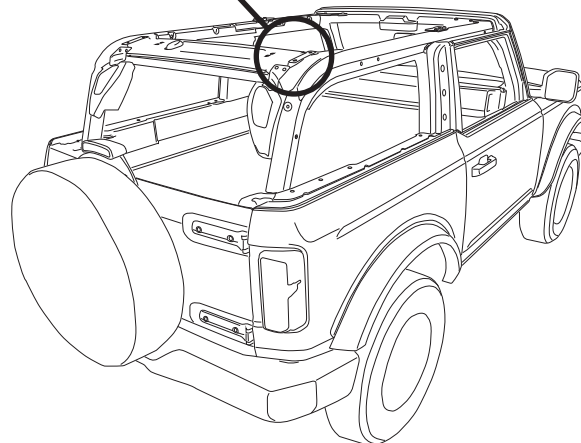


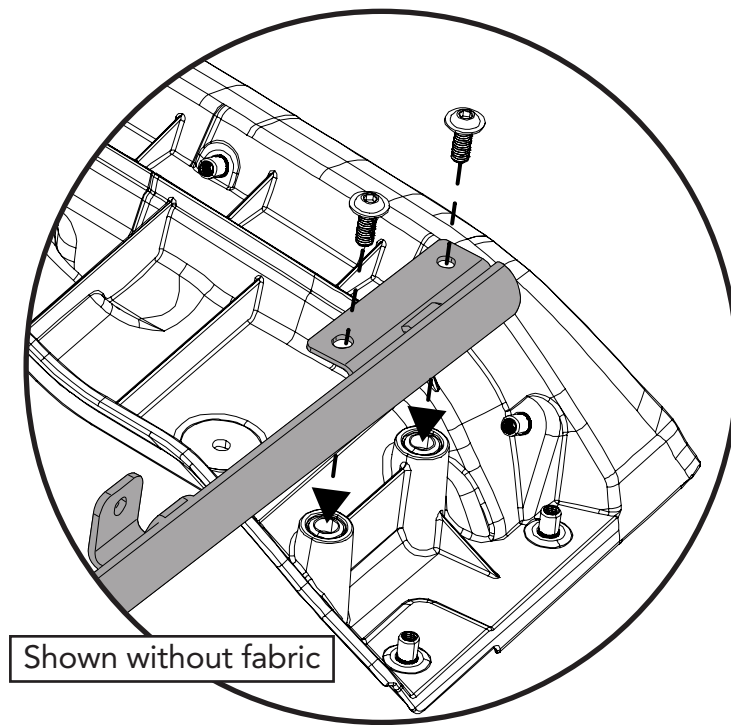
Rear Halo Mounting
Bracket
Part #599.39
Qty. 2



Screw, M8 X 1.25 X 20mm
Part #573.09
Qty. 4
T-40 Torx

Attach the Rear Halo Mounting Brackets (Part # 599.39) with two (2) #573.09 screws. Repeat this step on the left side of the vehicle.



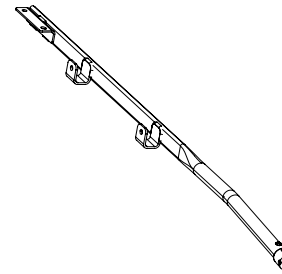
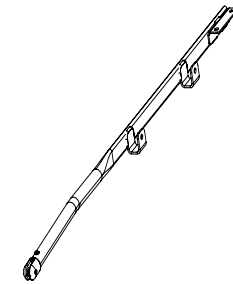


Shown without fabric

Tools

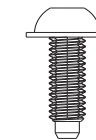
T30
Torx Driver

Parts

Front Side Rail Right
Part #600.82
Qty. 1Front Side Rail Left
Part #600.83
Qty. 1

Place the Top (Deck Assembly) on a clean flat surface and fold the fabric forward to expose the #1 Bow (Molded part with the latches). Attach the side Bows Part # 600.82 (Right side) and 600.83 (Left side) using two (2) M6x1.0x15 Screws Part # 533.61.

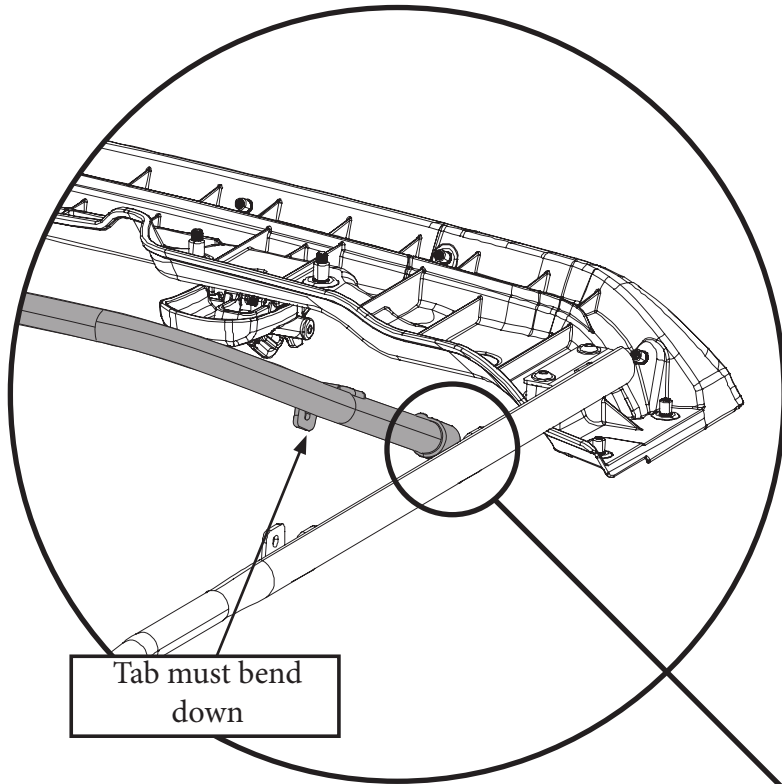
Repeat this step on the left side.

SCREW, M6 X 1.0 X 15mm
Part #533.61
Qty. 4
T-30 Torx

Tools

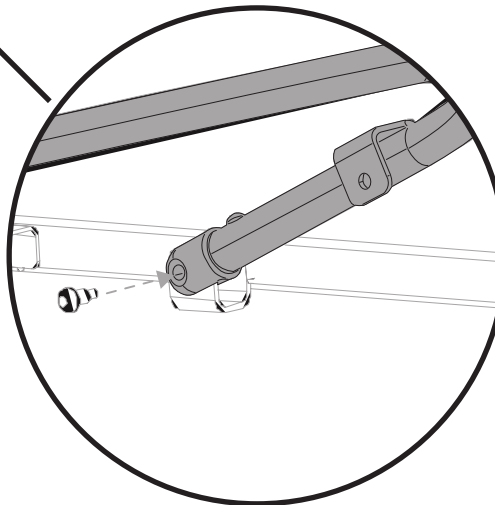
T30
Torx Driver

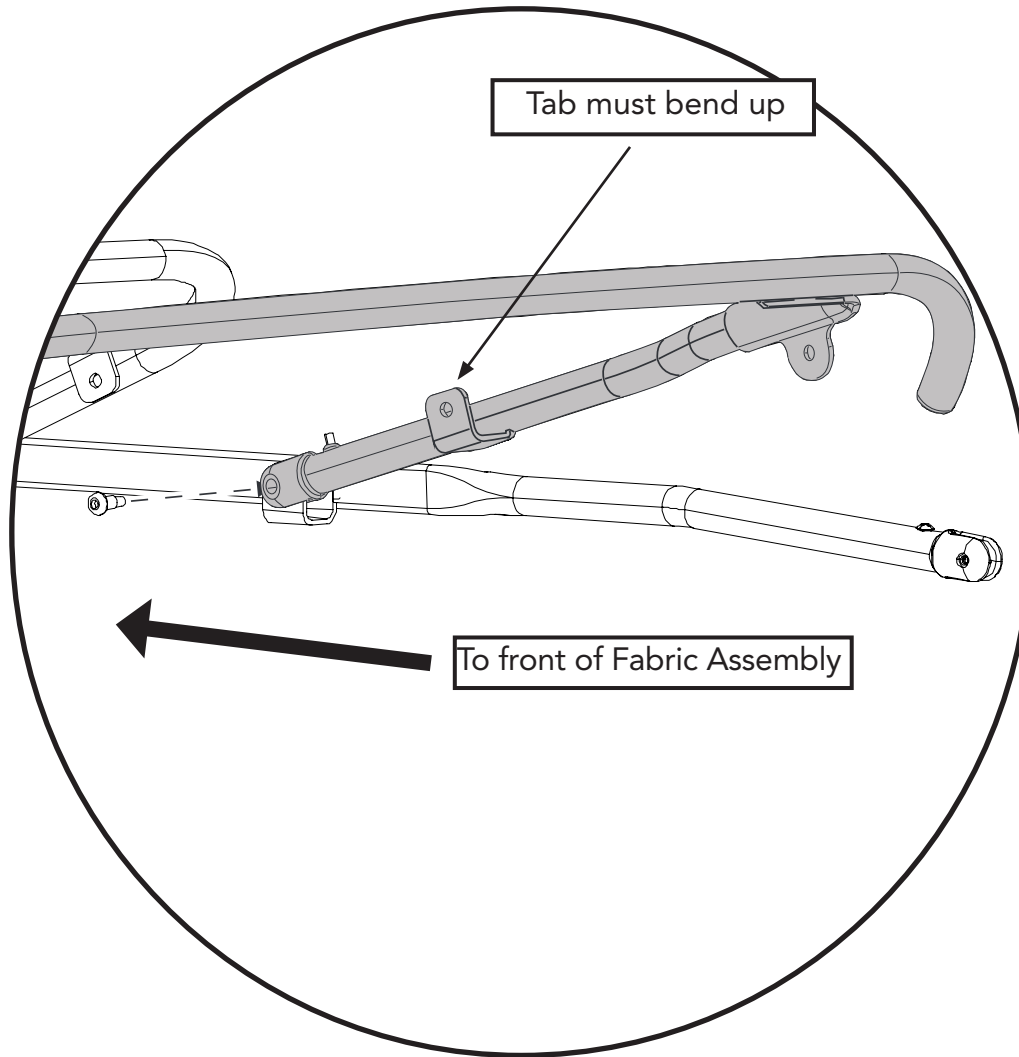
Parts

1.5 Bow Assembly
Part #602.46
Qty. 1SCREW, Pivot Knuckle
Part #308.65
Qty. 2
T-30 Torx

Attach the 1.5 Bow (Part #602.46) to the Front Side Rails using two (2) of the #308.65 screws.

Repeat this step on the left side of the vehicle.





Tools



T30
Torx Driver

Parts



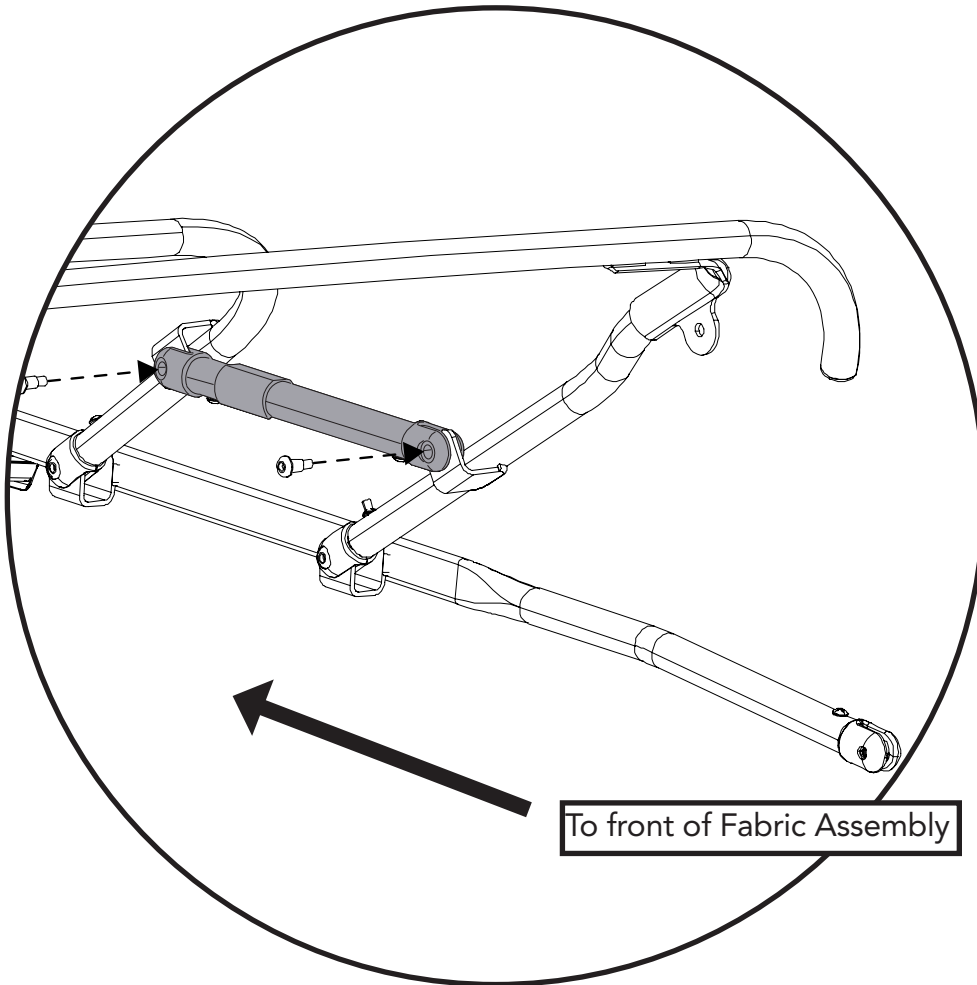
#2 Bow Assembly
Part #600.84
Qty. 1



SCREW, Pivot Knuckle
Part #308.65
Qty. 2
T-30 Torx

Attach the 2 Bow (Part #600.84) to the Front Side Rails using two (2) of the #308.65 screws.

Repeat this step on the left side of the vehicle.



Tools



T30
Torx Driver

Parts



Control Linkage
Part #602.75
Qty. 2

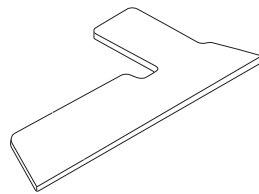
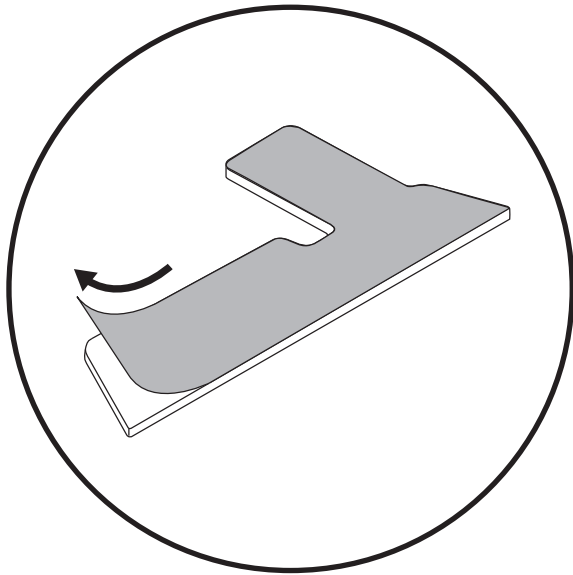


SCREW, Pivot Knuckle
Part #308.65
Qty. 4
T-30 Torx

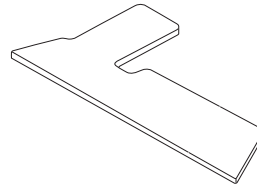
Attach the Control Linkage (Part #602.75) to the Front Side Rails using two (2) of the #308.65 screws.

Repeat this step on the left side of the vehicle.

Parts



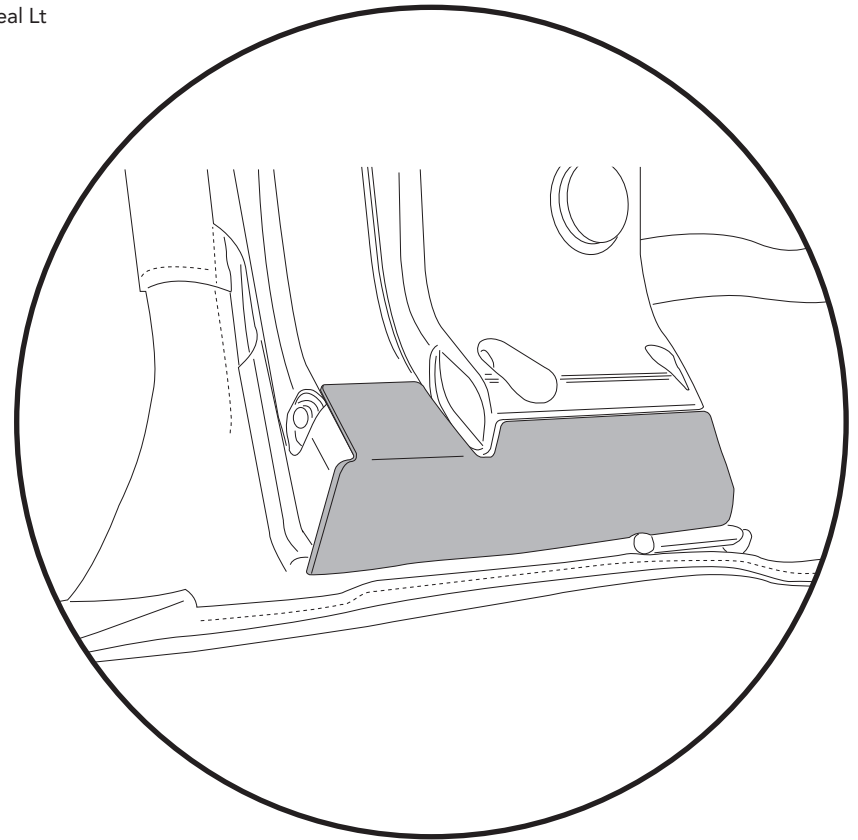
#1 Bow Foam Seal Rt
Part #615.66
Qty. 1

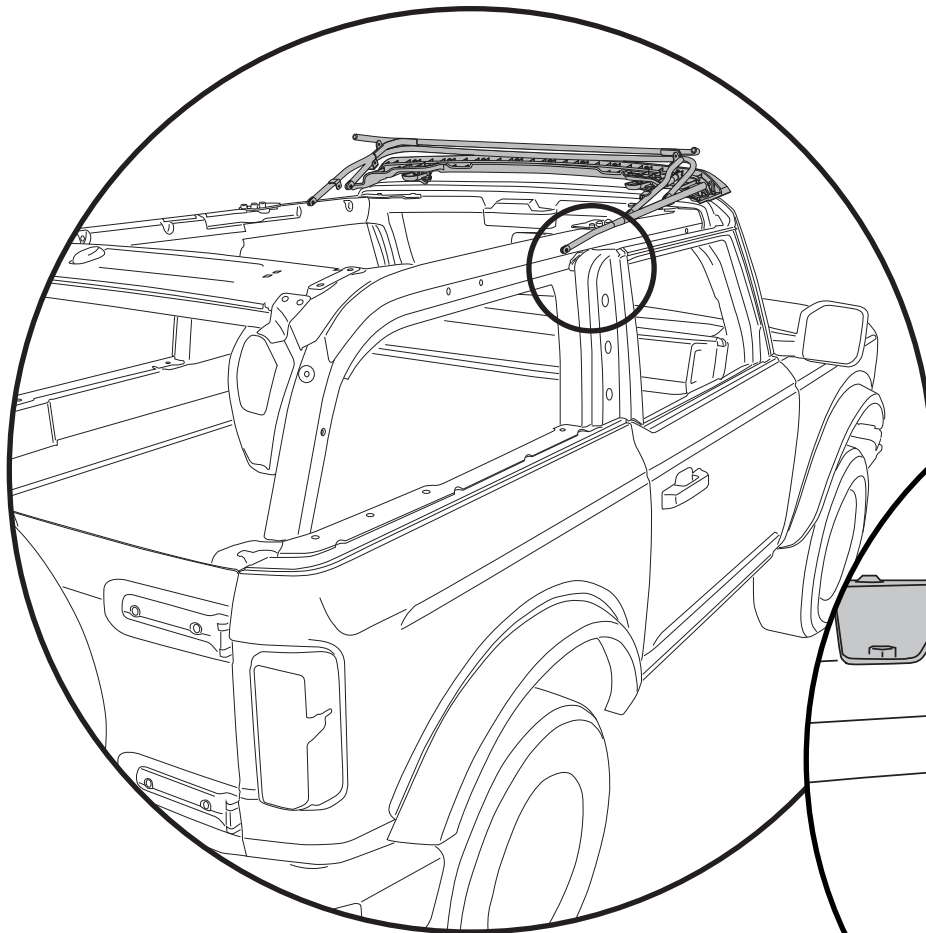


#1 Bow Foam Seal Lt
Part #615.67
Qty. 1

Peel the protective paper from the back of the #1 Bow Foam Seal (Part #615.66) then place it on the side of the #1 Bow.

Repeat this step on the left side of the vehicle.





Tools

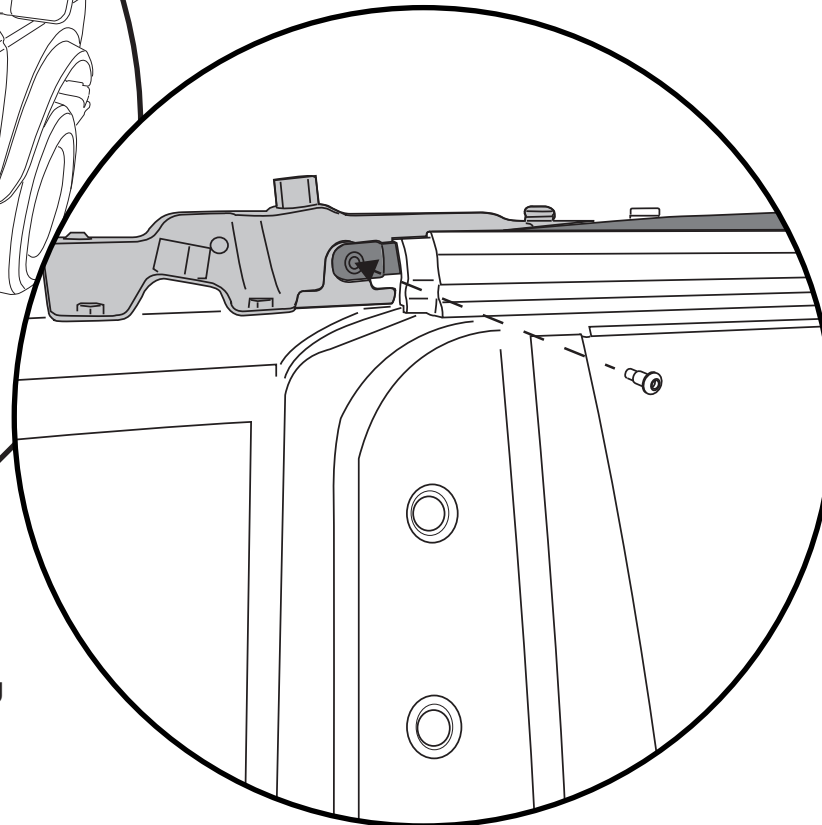


T30
Torx Driver

Parts

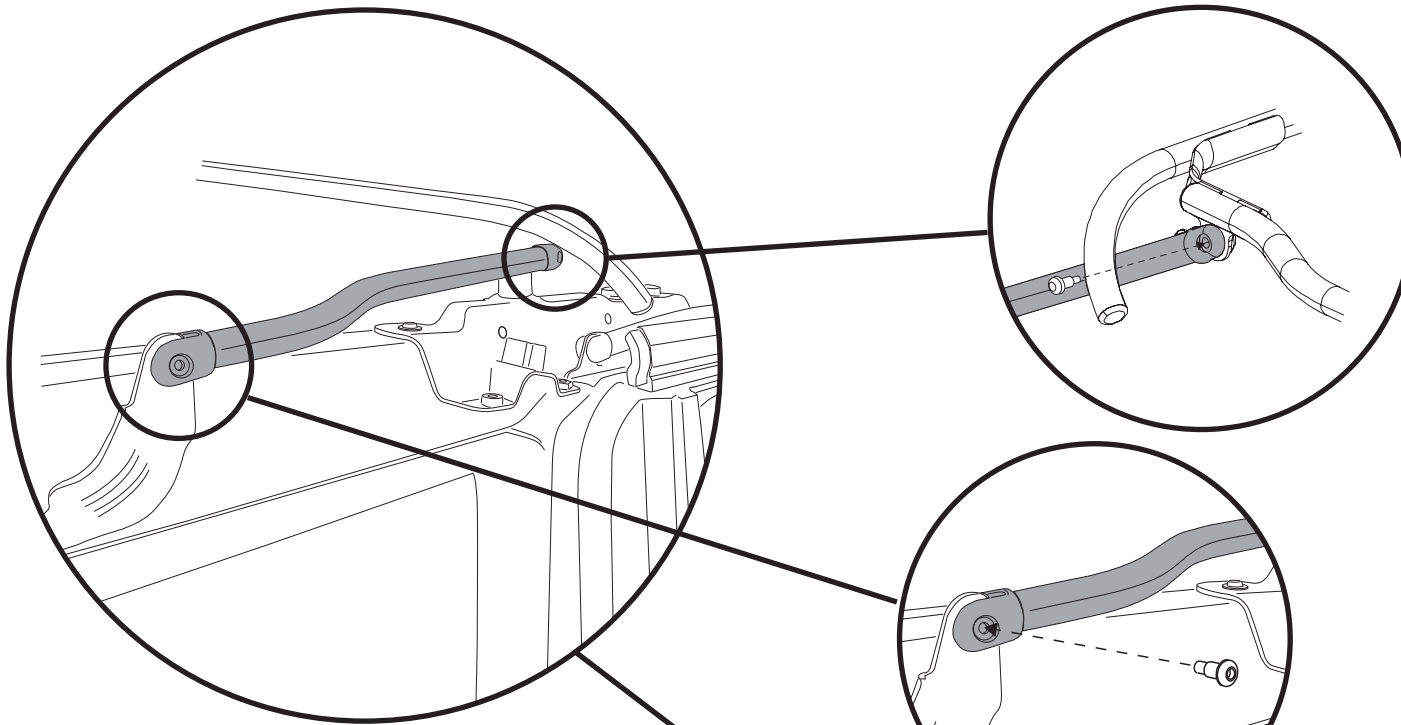


SCREW, Pivot Knuckle
Part #308.65
Qty. 2
T-30 Torx



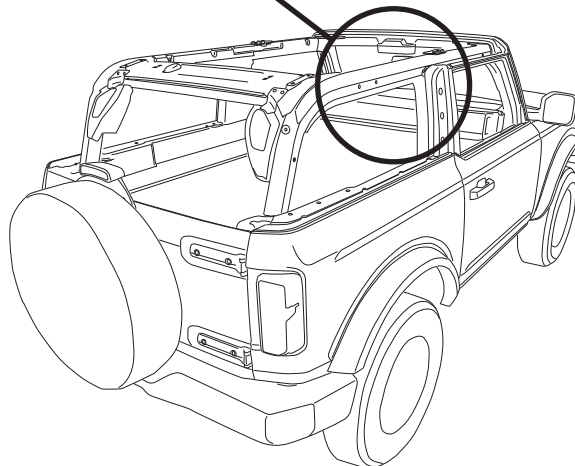
Have someone help you lift the top assembly on top of the vehicle with the side bows going towards the rear of the vehicle. Attach the Side Bow to the Main Pivot Brackets using one (1) Pivot Knuckle Screw (Part #308.65).

Repeat this step on the left side of the vehicle.



Attach the #2 Bow Control Linkage (Part #598.00) to the Link Control Bracket Then to the #2 bow using two (2) of the Pivot Knuckle Screws (Part #308.65).

Repeat this step on the left side of the vehicle.



Tools



T30
Torx Driver

Parts



#2 Bow Control Link
Part #598.00
Qty. 2

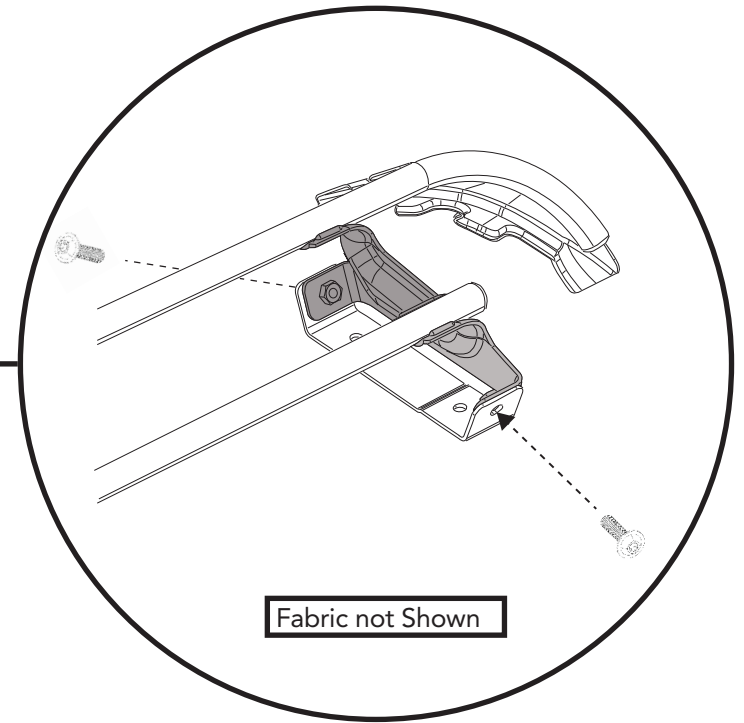
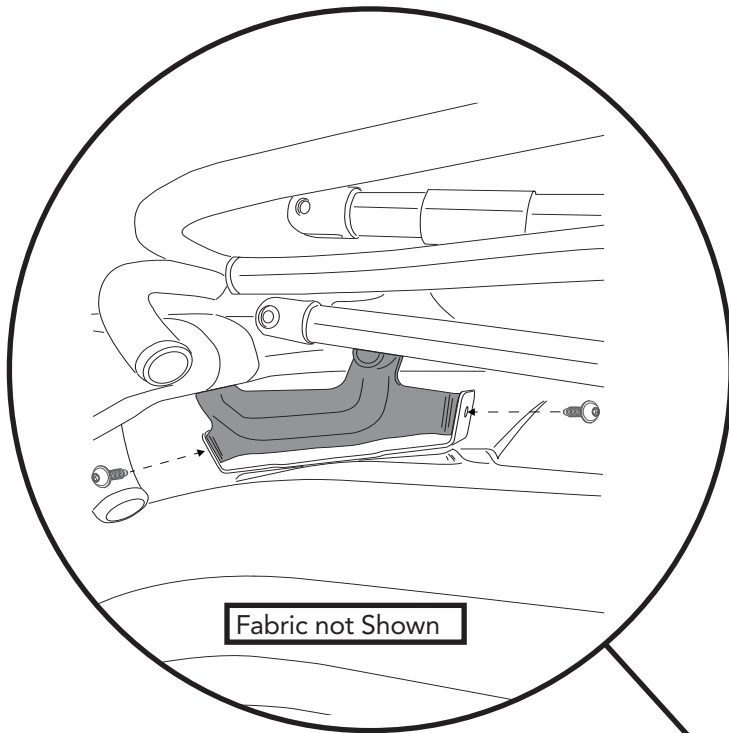


SCREW, Pivot Knuckle
Part #308.65
Qty. 4
T-30 Torx

Tools

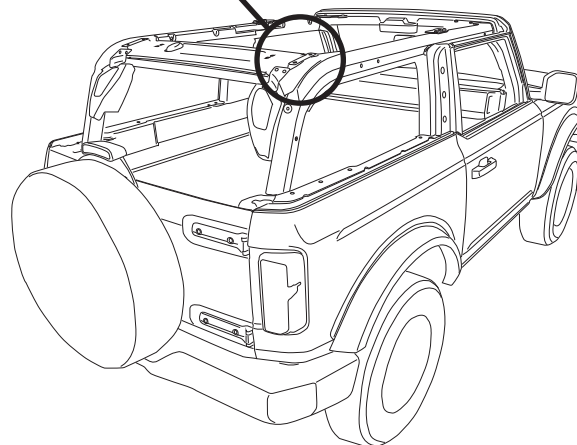


T30
Torx Driver

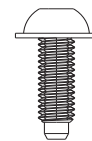


Attach The Rear Halo to the Rear Halo Mounting Bracket using two (2) of the M6 x 15mm screws (Part # 533.61) per side.

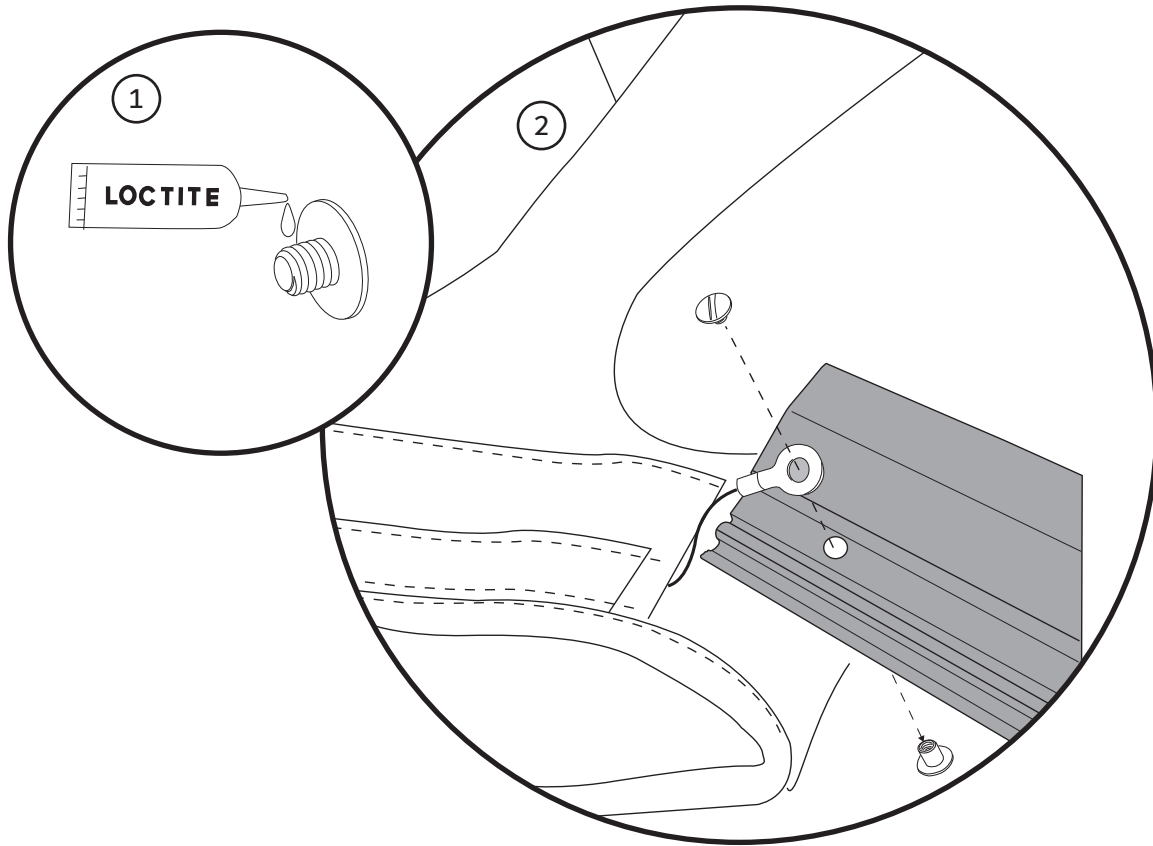
Repeat this step on the left side of the vehicle.



Parts



SCREW, M6 X 1.0 X 15mm
Part #533.61
Qty. 4
T-30 Torx

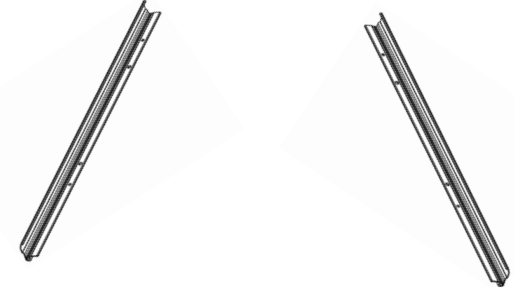


Tools



Slotted
Screwdriver

Parts



Retainer, Upper Quarter
Window Right
Part #599.06
Qty. 1

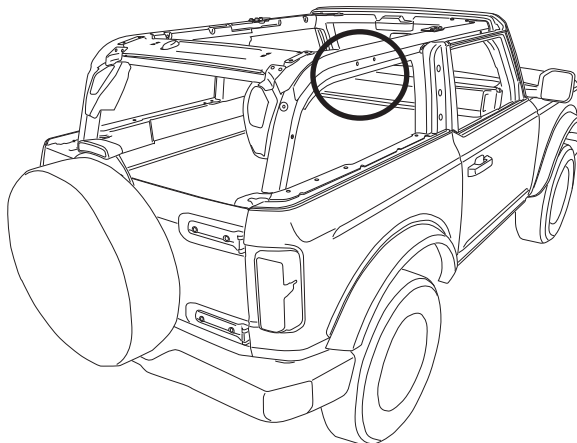
Retainer, Upper Quarter
Window Left
Part #599.07
Qty. 1

1 Place one (1) drop of Loctite to the Binding Screw.

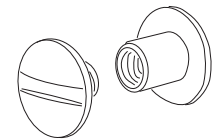
Find the Cable End in the Fabric Assembly.

2 Attach it to the Upper Quarter Window Retainers (Part #599.06) for the passenger side and (Part # 599.07) for the driver side using one (1) Binding Screw (Part # 599.01) per side.

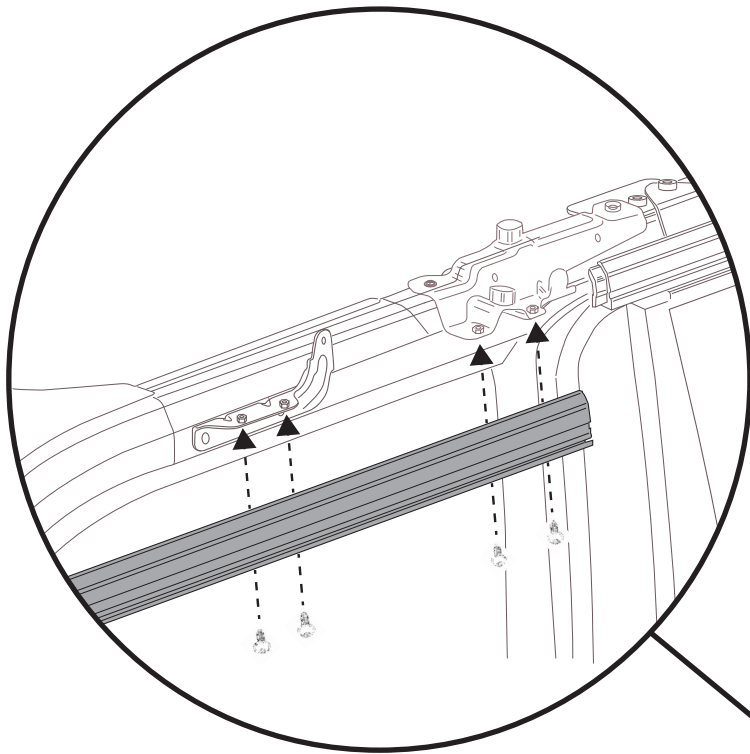
Repeat this step on the left side of the vehicle.



Loctite Capsule
Part #309.83
Qty. 1



Screw, Binding Barrel
Part #599.01
Qty. 2



Attach the Upper Quarter Window Retainer Right (Part # 599.06) (#599.07 Left Side) to the Control Linkage Bracket and the Main Pivot Brackets using four (4) M6 x 15mm Screws (Part # 533.61).

Repeat this step on the left side of the vehicle.

Tools



T30
Torx Driver

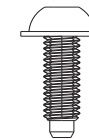
Parts



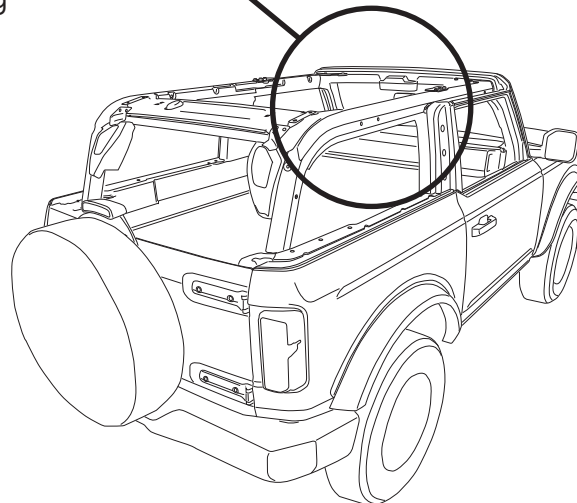
Retainer, Upper Quarter
Window Right
Part #599.06
Qty. 1

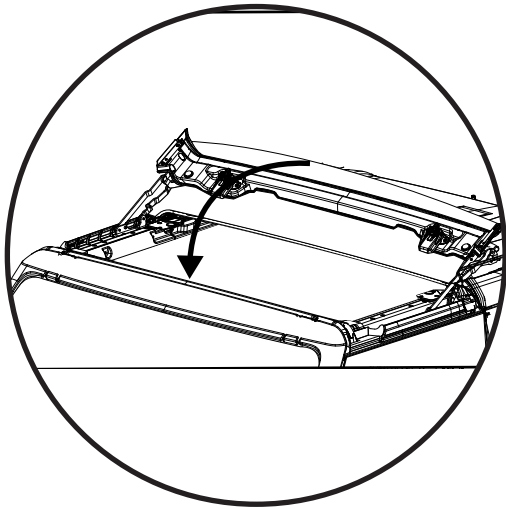


Retainer, Upper Quarter
Window Left
Part #599.07
Qty. 1



SCREW, M6 X 1.0 X 15mm
Part #533.61
Qty. 4
T-30 Torx

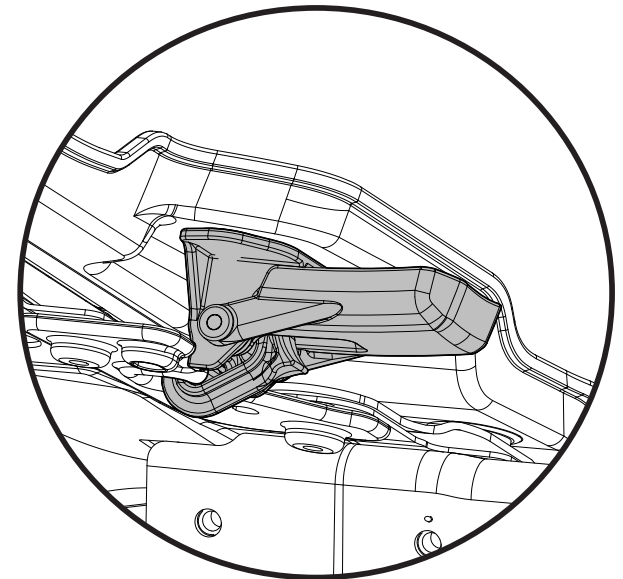
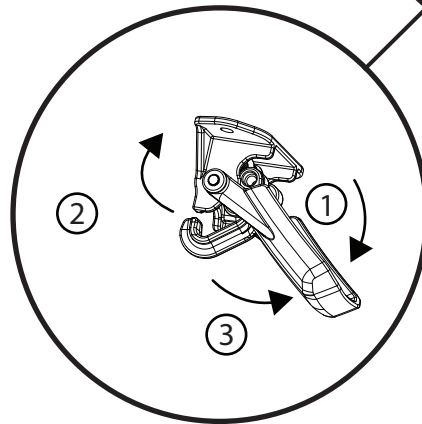
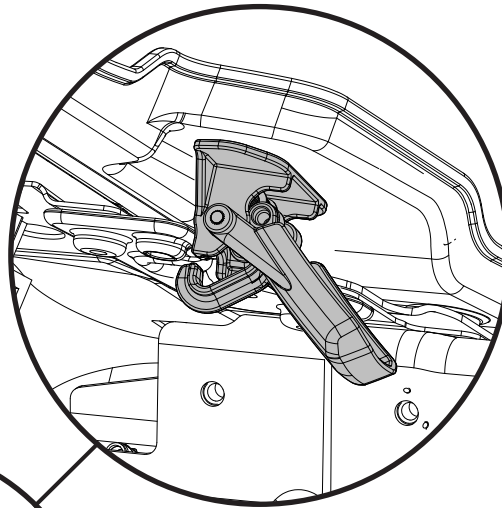




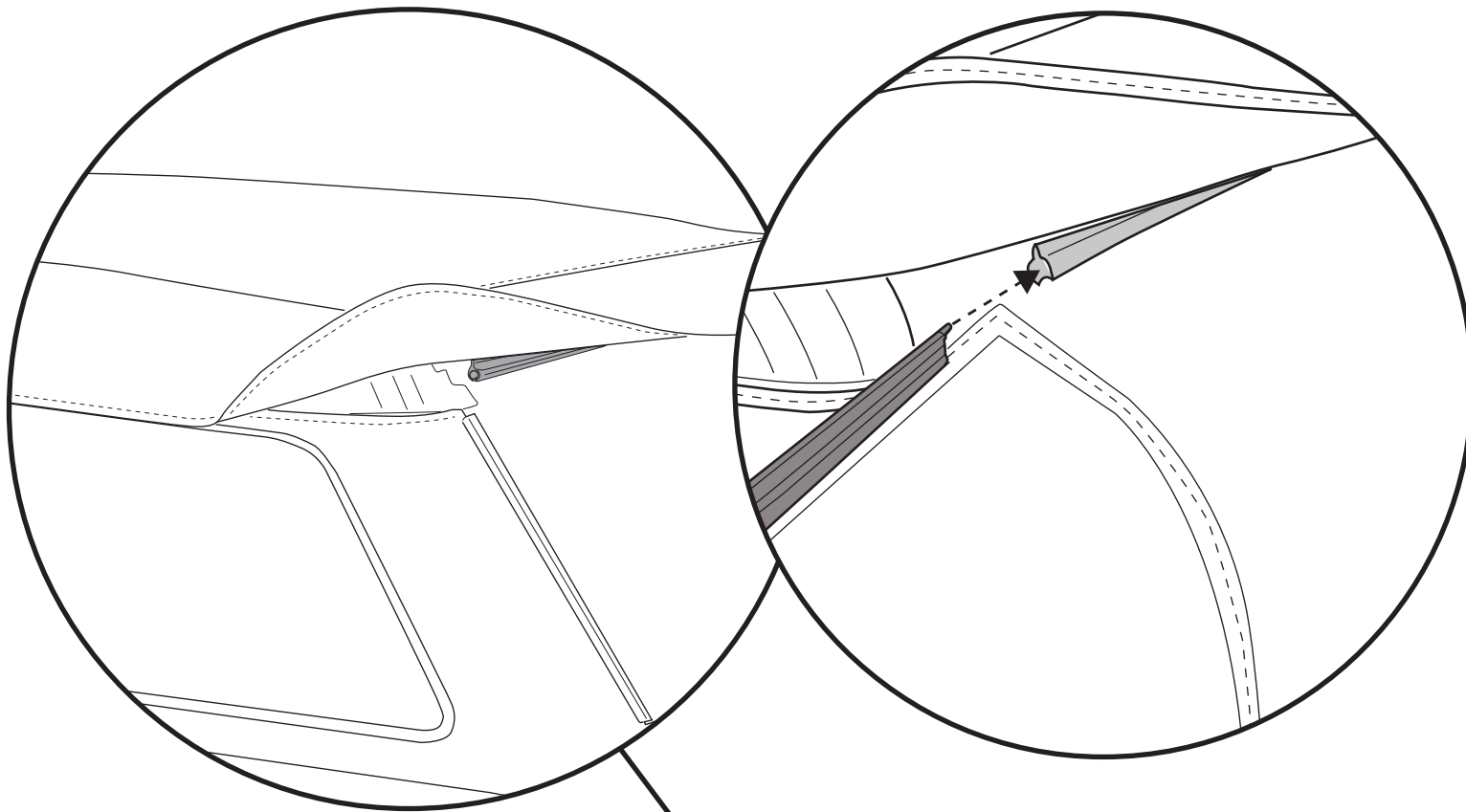
Fold the Sunrider forward.

Secure both latches to the vehicle's windshield header.

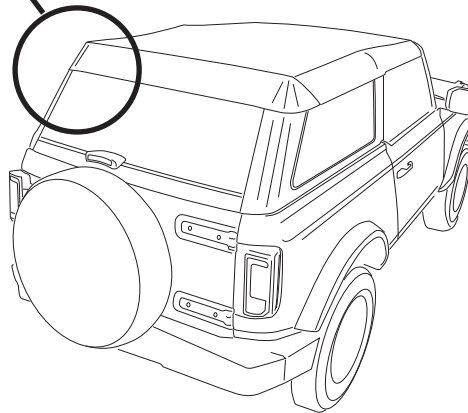
- ① Pivot the latch handle down;
- ② Engage the hook;
- ③ Pivot the latch handle back up.

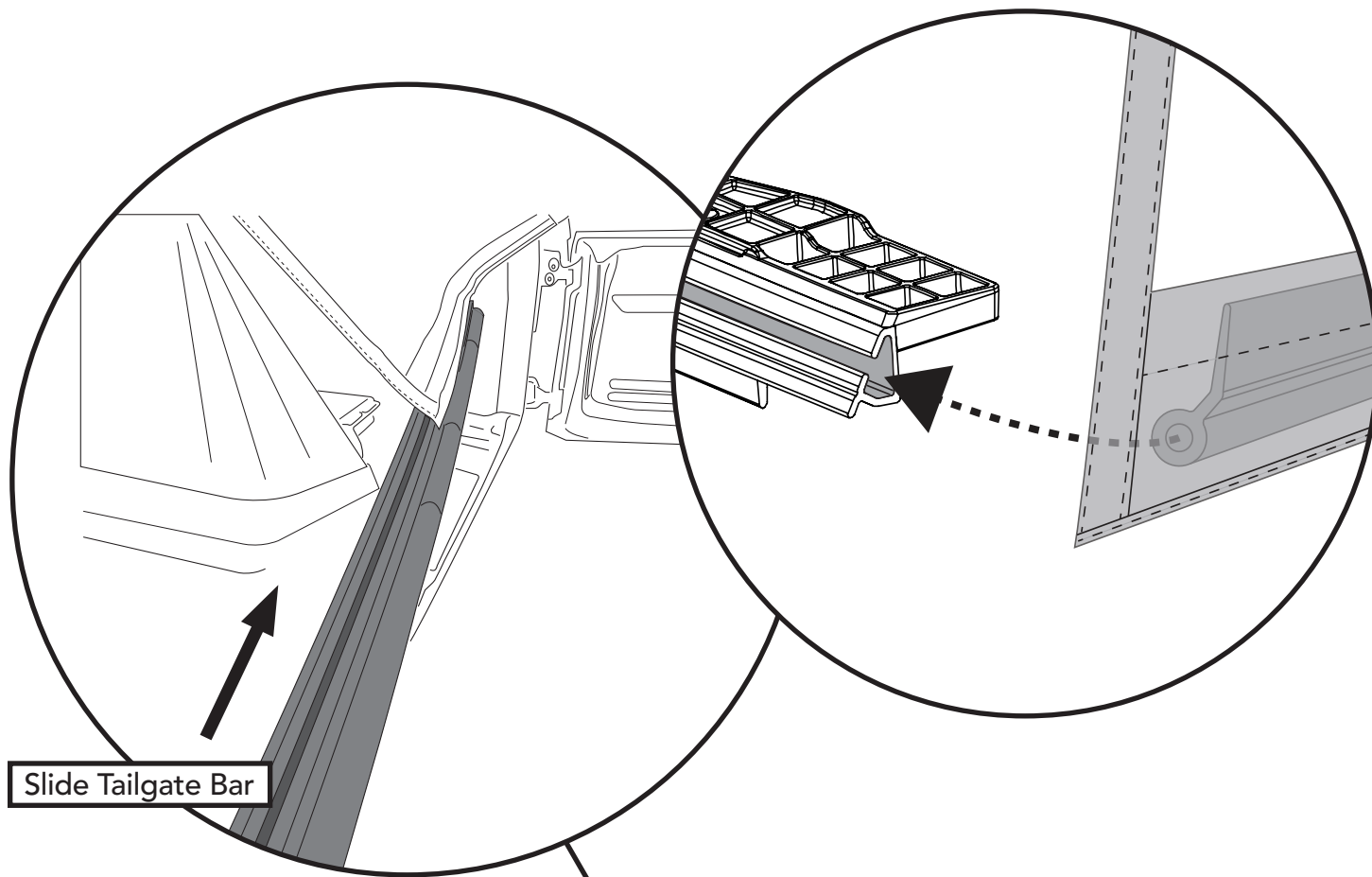


Latch in closed position



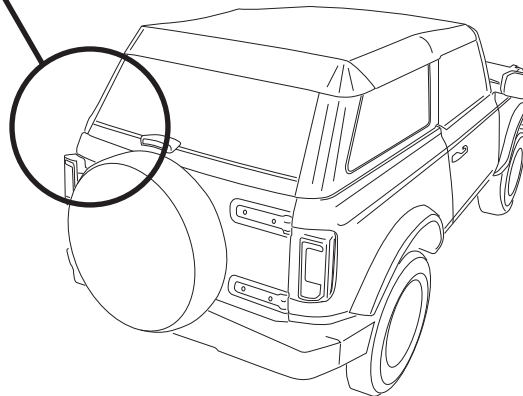
Fold the flap located on the driver side rear of the top back. Feed the plastic retainer strip on the top of the Rear Window into the plastic retainer strip on the rear of the top then slide the window all of the way across the top.





Slide Tailgate Bar

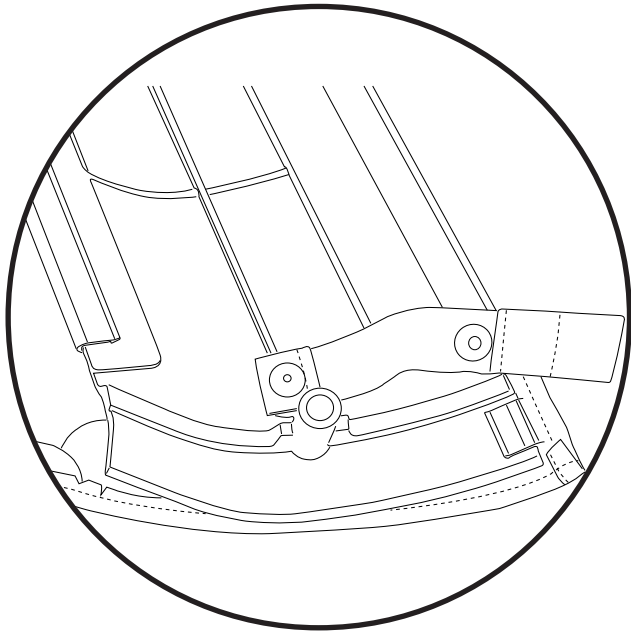
Open the tailgate. From the left side of the vehicle, pull the lower part of the rear window away from the side window. Locate the plastic retainer strip sewn to the bottom of the rear window then slide the channel of the tailgate bar into the plastic retainer strip.



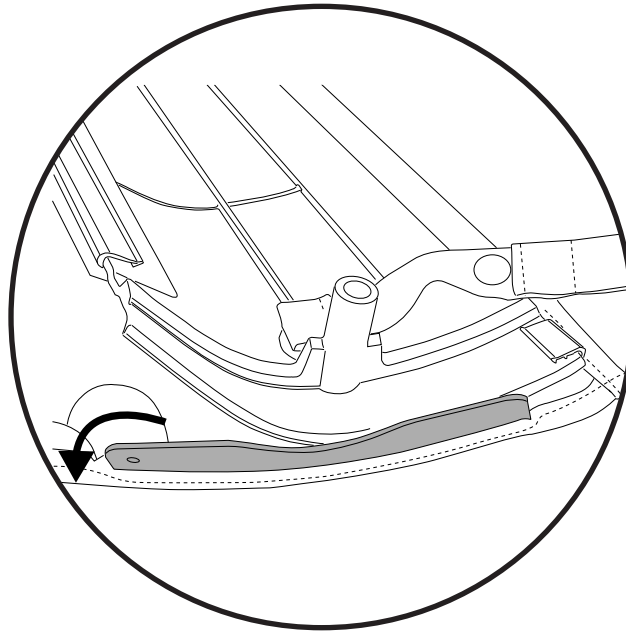
Parts



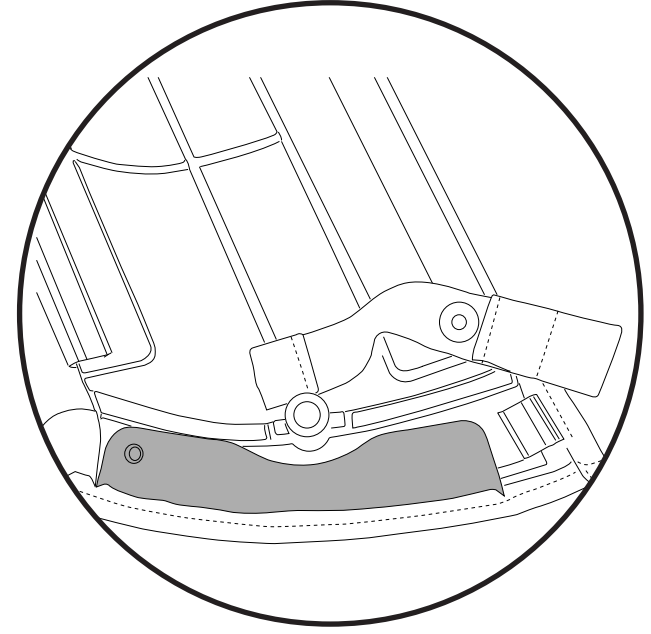
Taigate Retainer
Part #597.67
Qty. 1



Lay the Side Panel flat with the inside facing up.

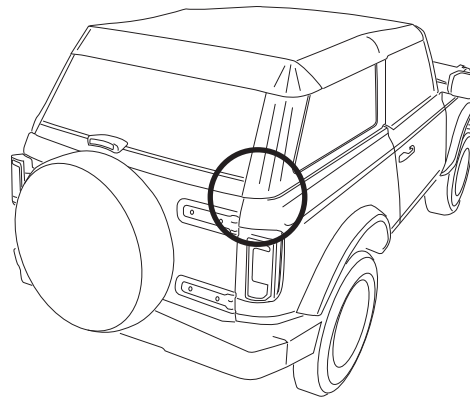


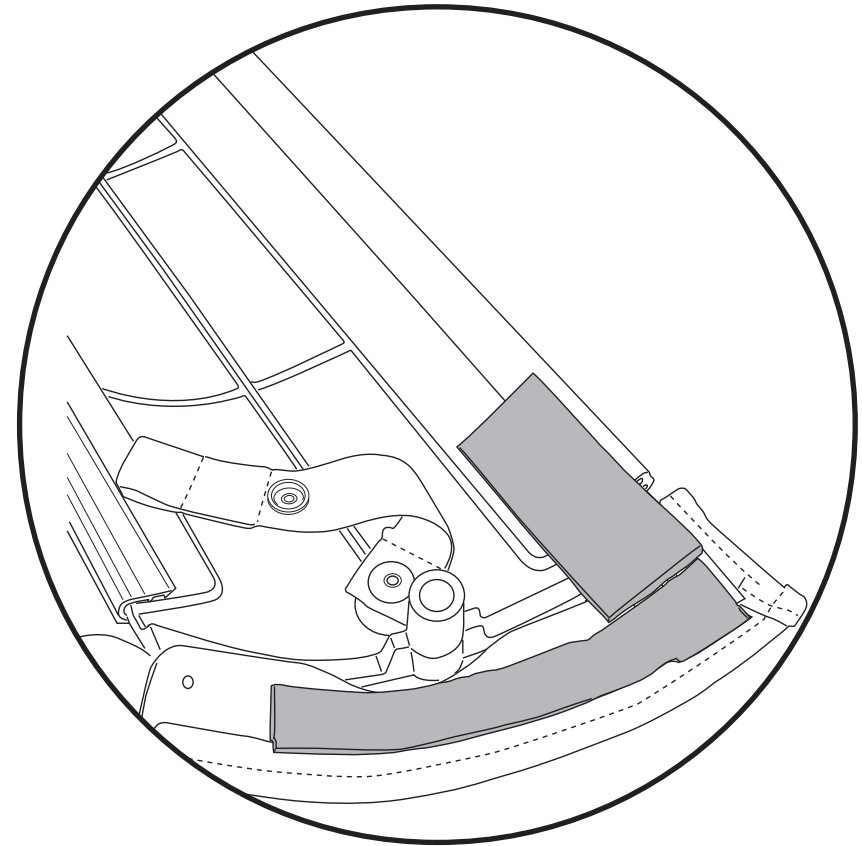
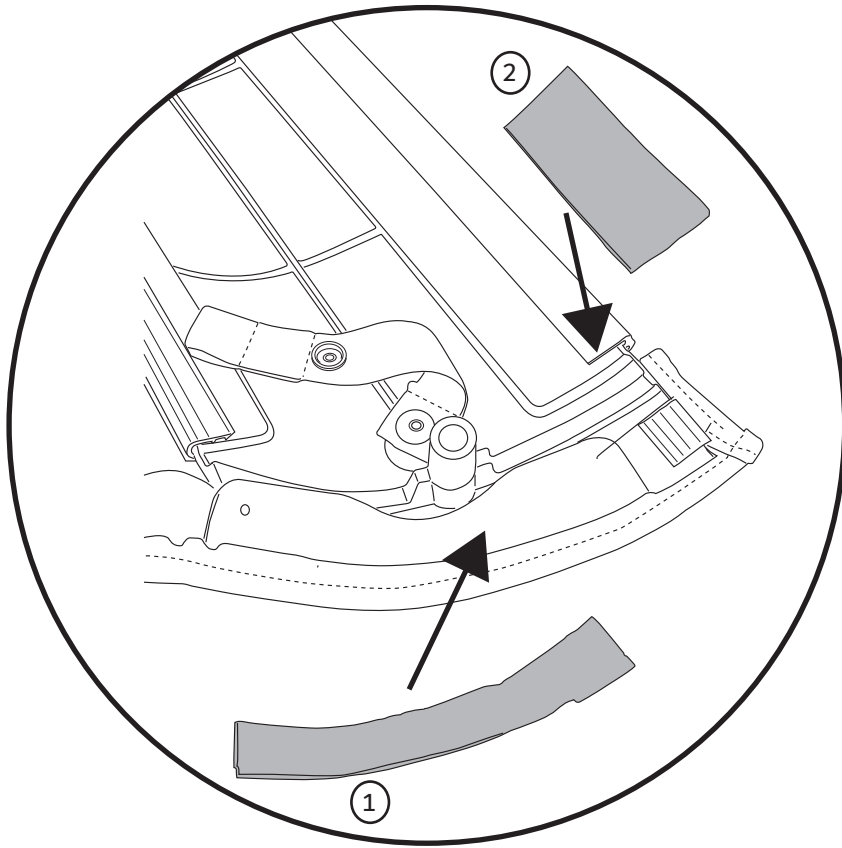
Pull out on the plastic retainer sewn in the bottom corner of the fabric.



Place the plastic retainer over the molded corner.

Repeat on the left side panel.

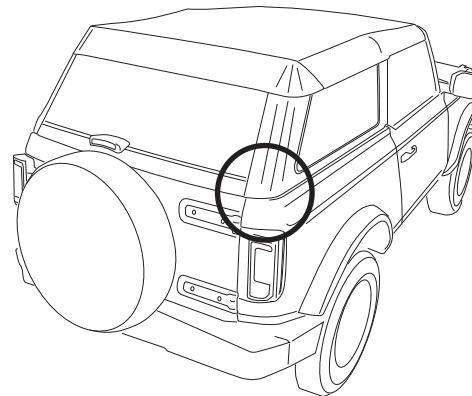




① Peel the protective paper from the back of the Quarter Window Retainer Foam Large (Part #615.68) then adhere it to the lower plastic retainer at the bottom corner of the right side panel.

② Peel the protective paper from the back of the Quarter Window Retainer Foam Small (Part #615.69) then adhere it vertically on the lower plastic retainer at the bottom corner of the right side panel.

Repeat this step on the Left Side Panel.



Parts

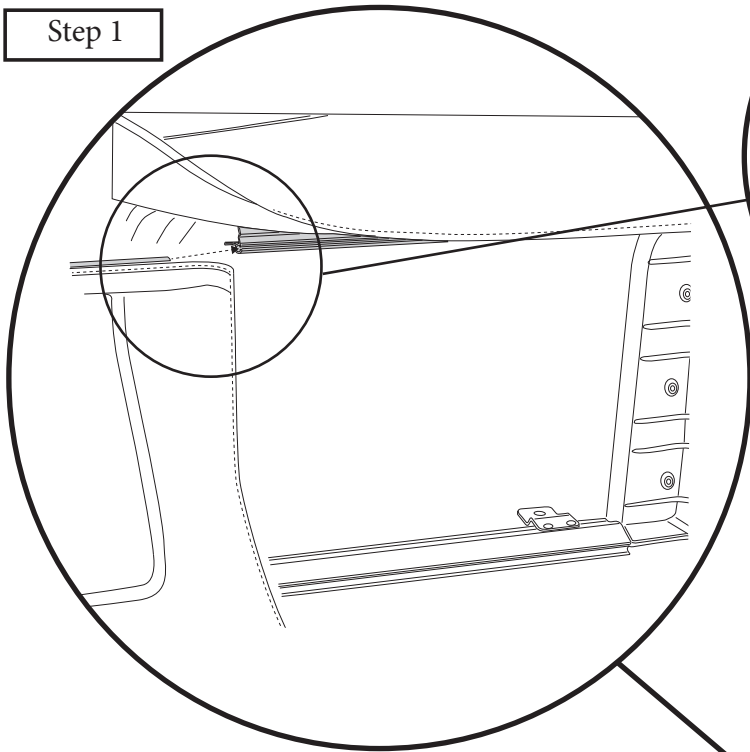


Quarter Window Retainer
Foam Large
Part #615.68
Qty. 2



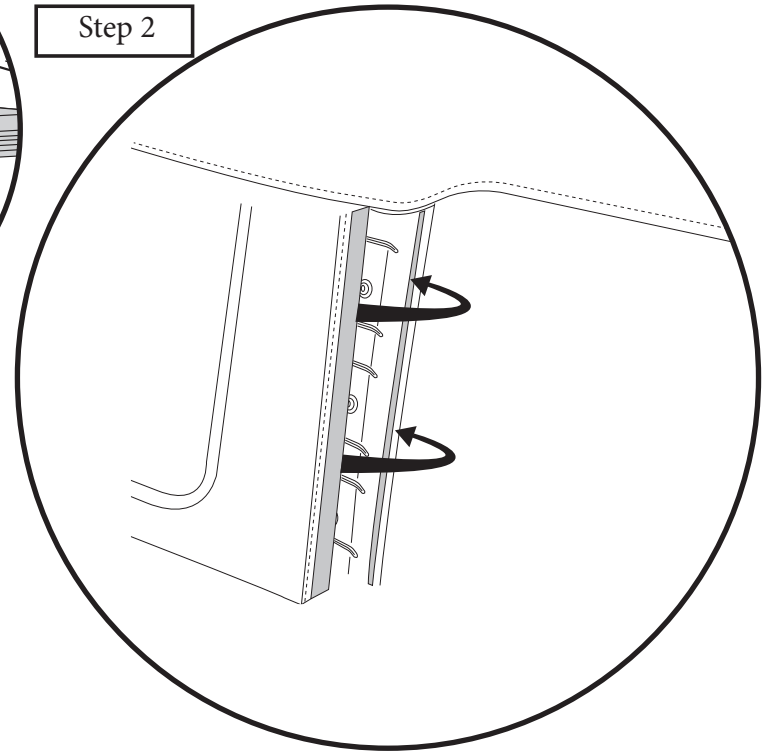
Quarter Window Retainer
Foam Small
Part #615.69
Qty. 2

Step 1



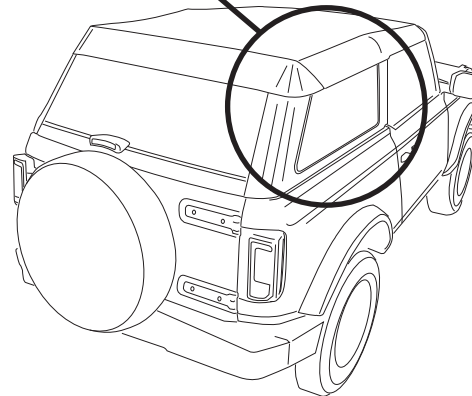
Fold the rear corner of the top then slide the plastic retainer strip on the quarter window into the "C" channel of the Upper Quarter Window Retainer.

Step 2

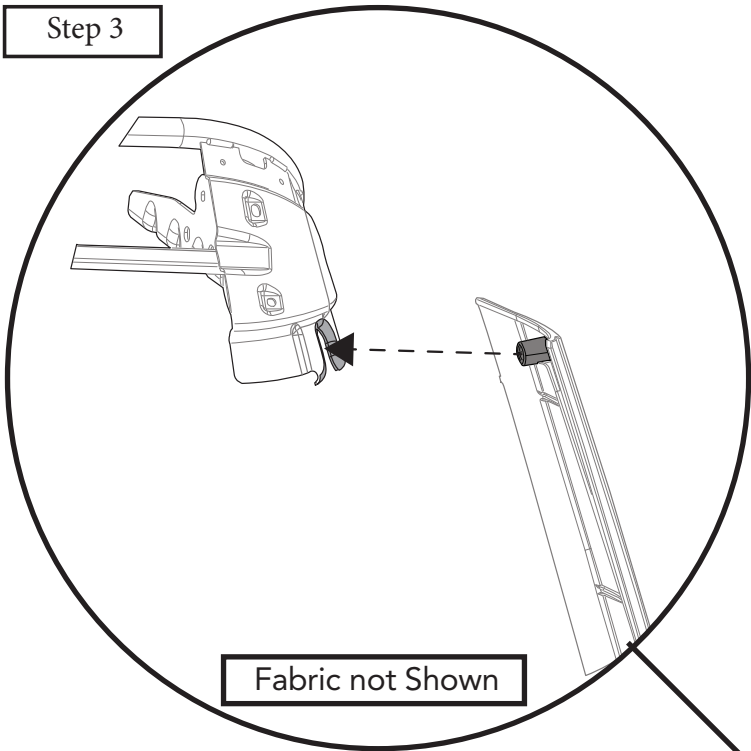


Tuck the plastic retainer into the Vertical window Retainer.

Repeat on the left side of the vehicle.

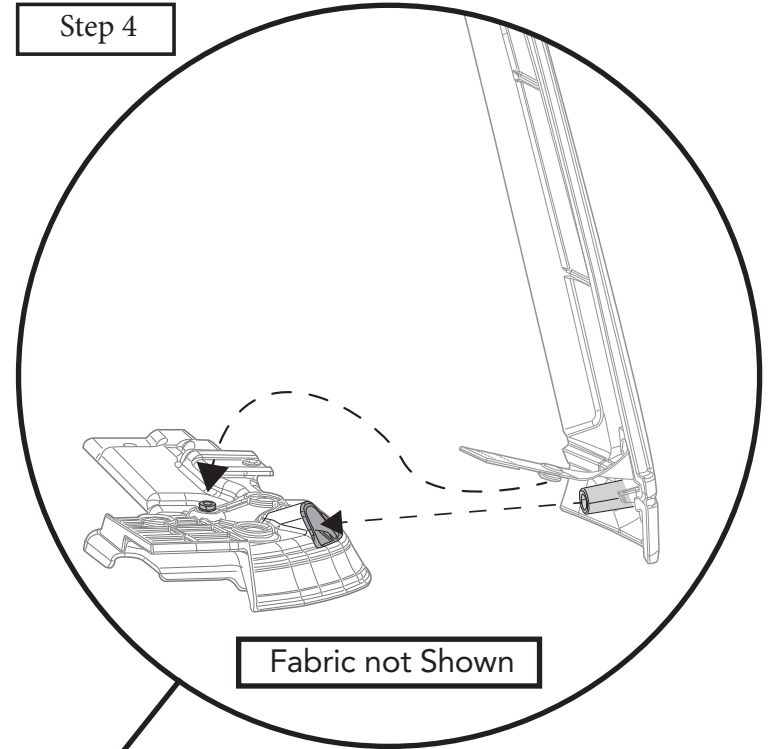


Step 3

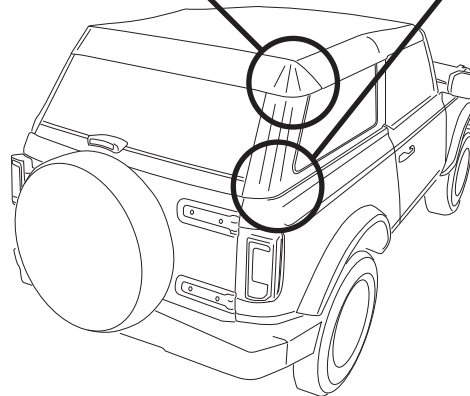


Place the button on the upper rear part of the Side Panel into the slot on the Rear Halo.

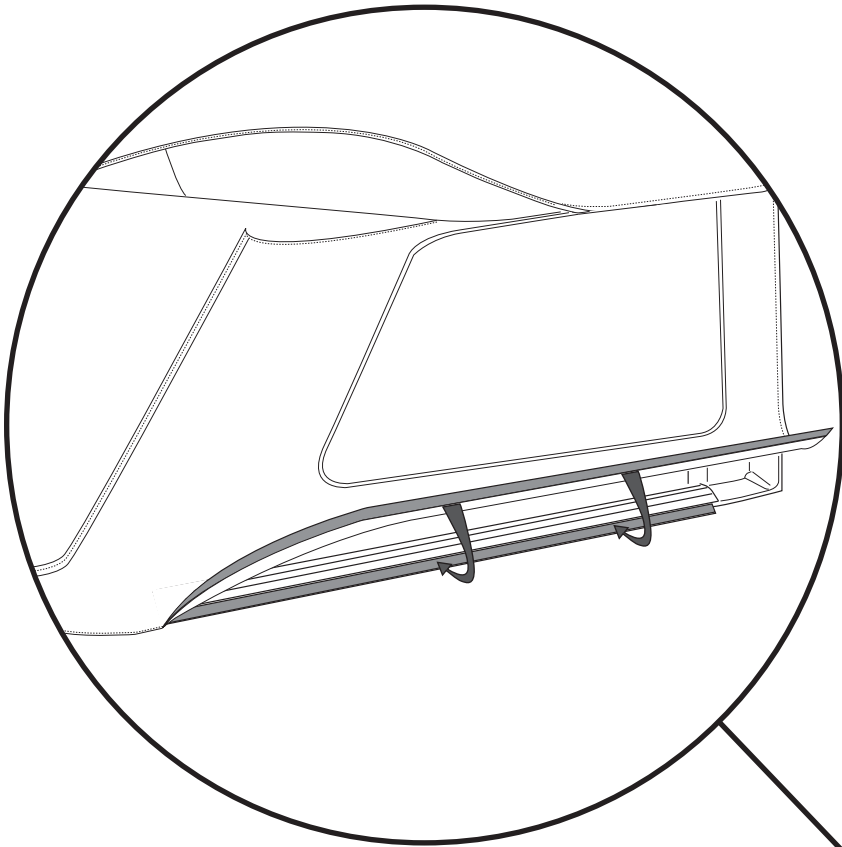
Step 4



Place the button on the lower rear part of the Side Panel into the slot on the Tailgate Retainer then attach the snap strap.

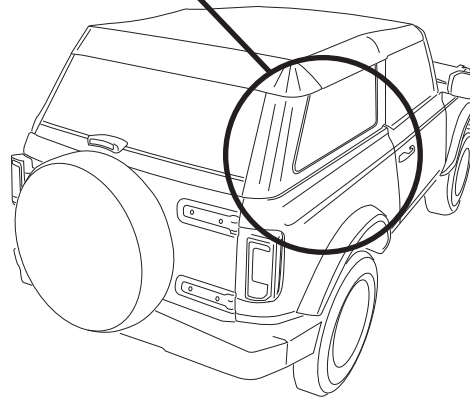


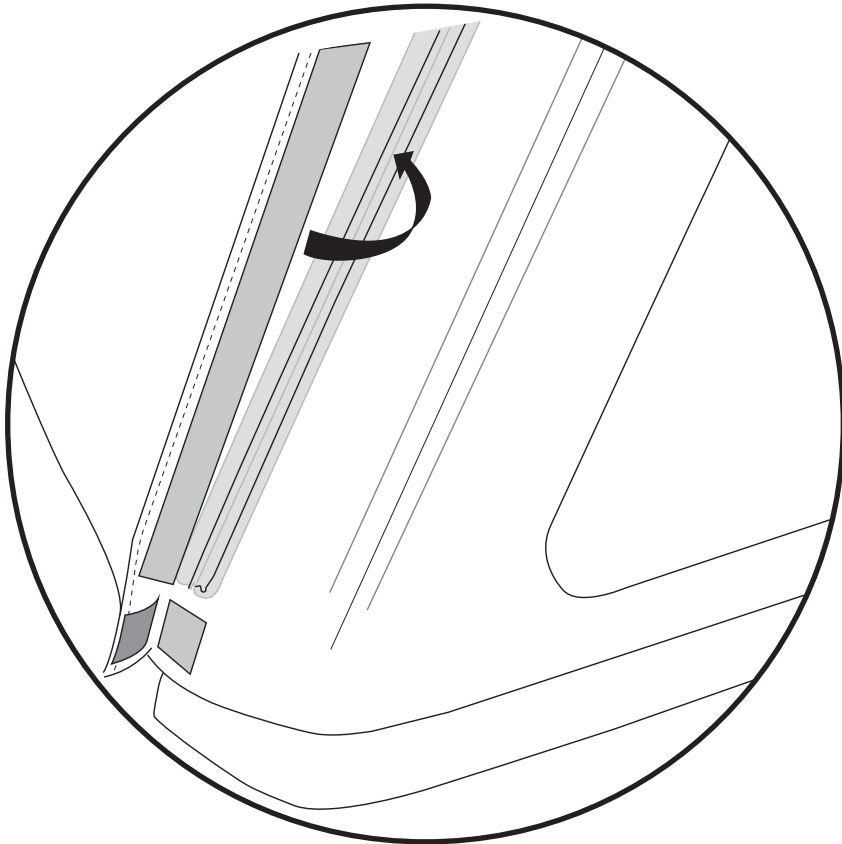
Step 5



Tuck the plastic retainer along the bottom of the Side Panel into the Belt Rail Retainer.

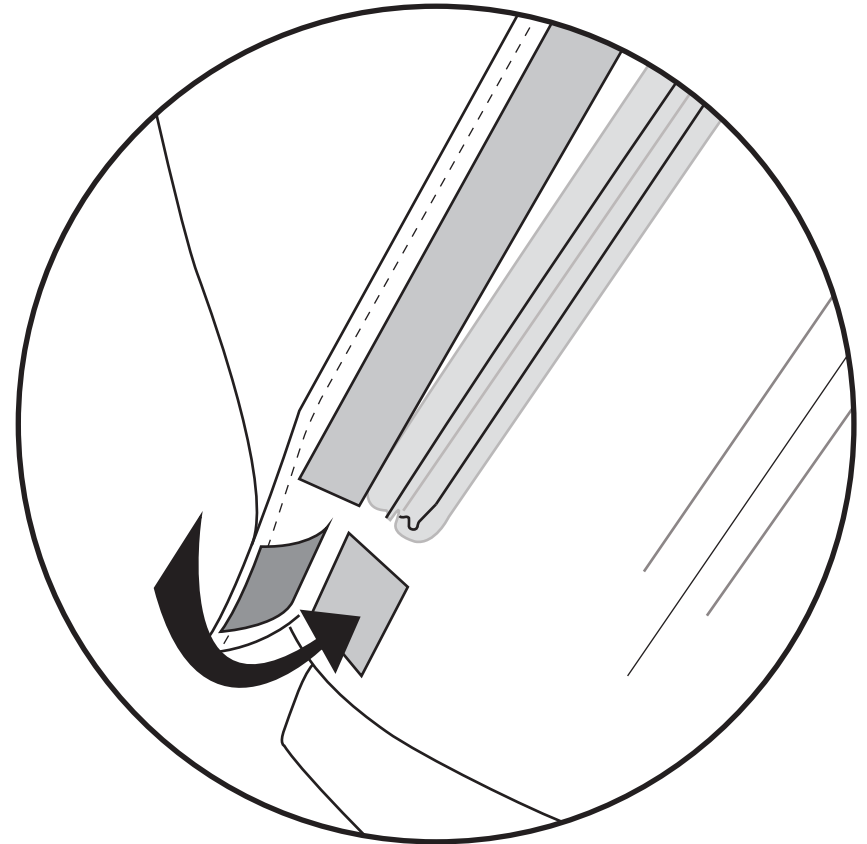
Repeat steps 1 through 5 on the left side of the vehicle.



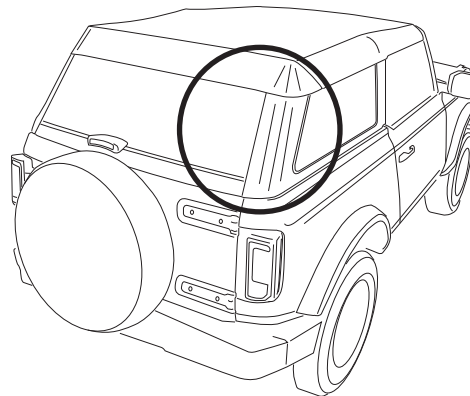


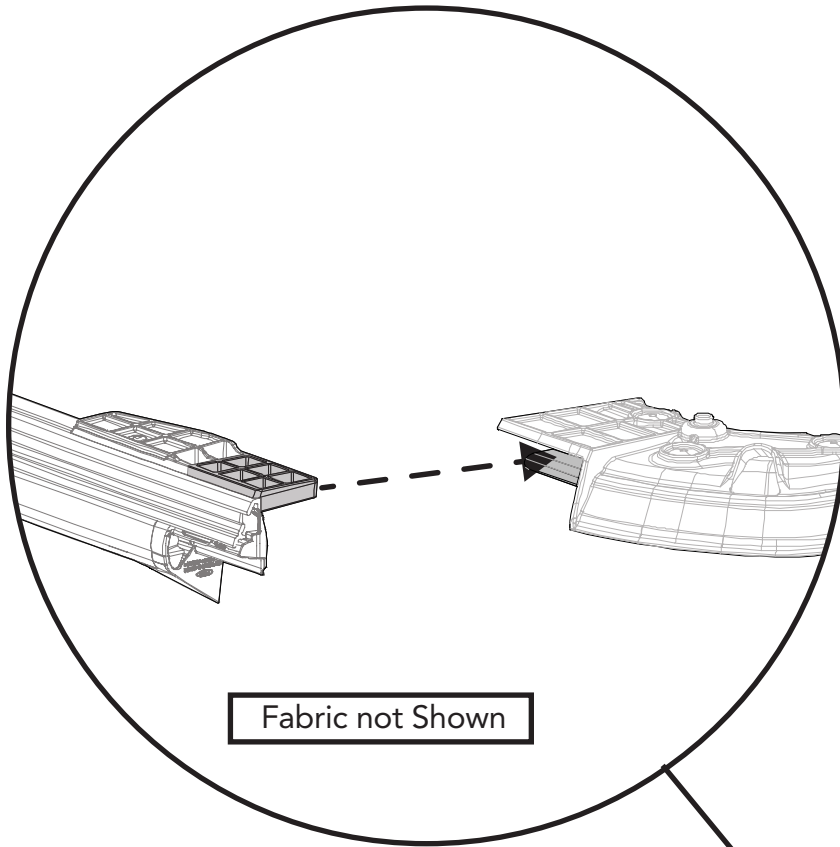
Tuck the plastic retainer along the side of the Rear Window into the plastic retainer that runs along the side of the Side Panel.

Repeat this step on the left side of the Rear Window.



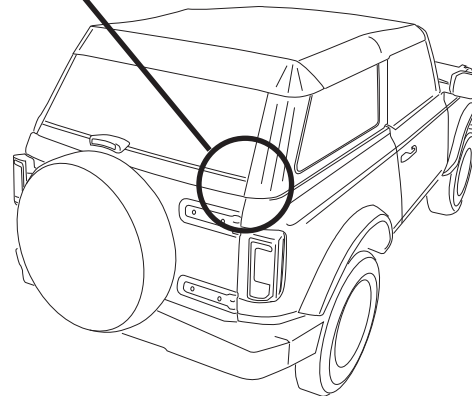
Join the Hook and Loop together at the bottom corners of the Rear Window and the Side Panels then close the tailgate.

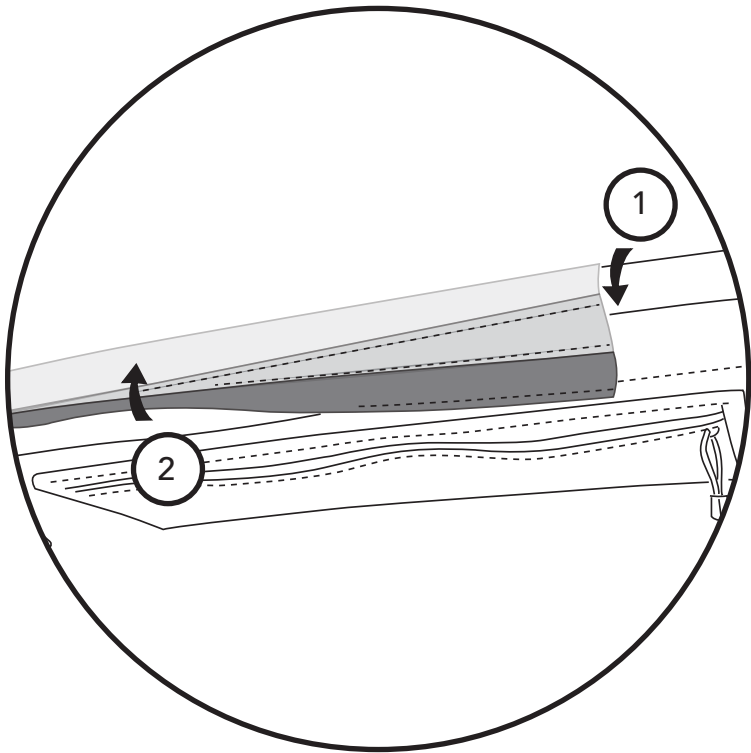




Fabric not Shown

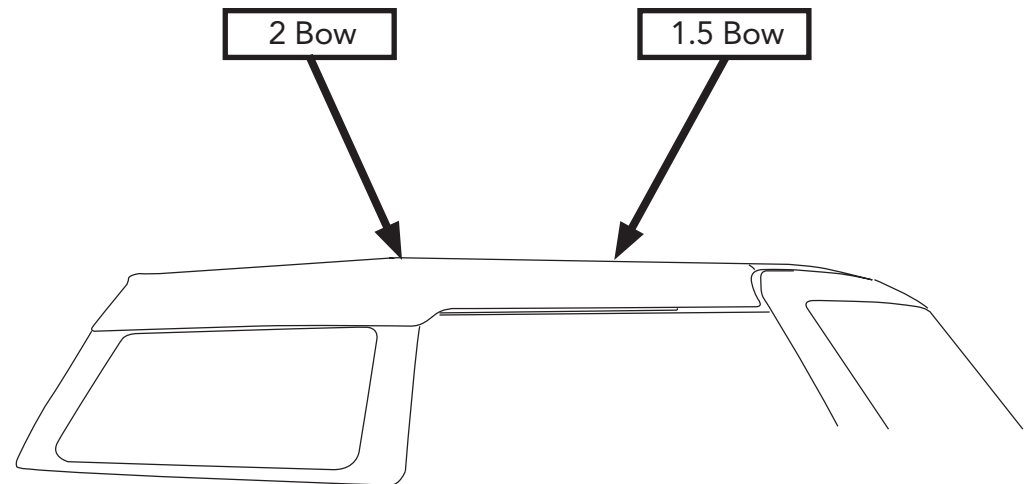
Slide the ends of the Tailgate Bar into the channels on the Tailgate Bar Retainers.

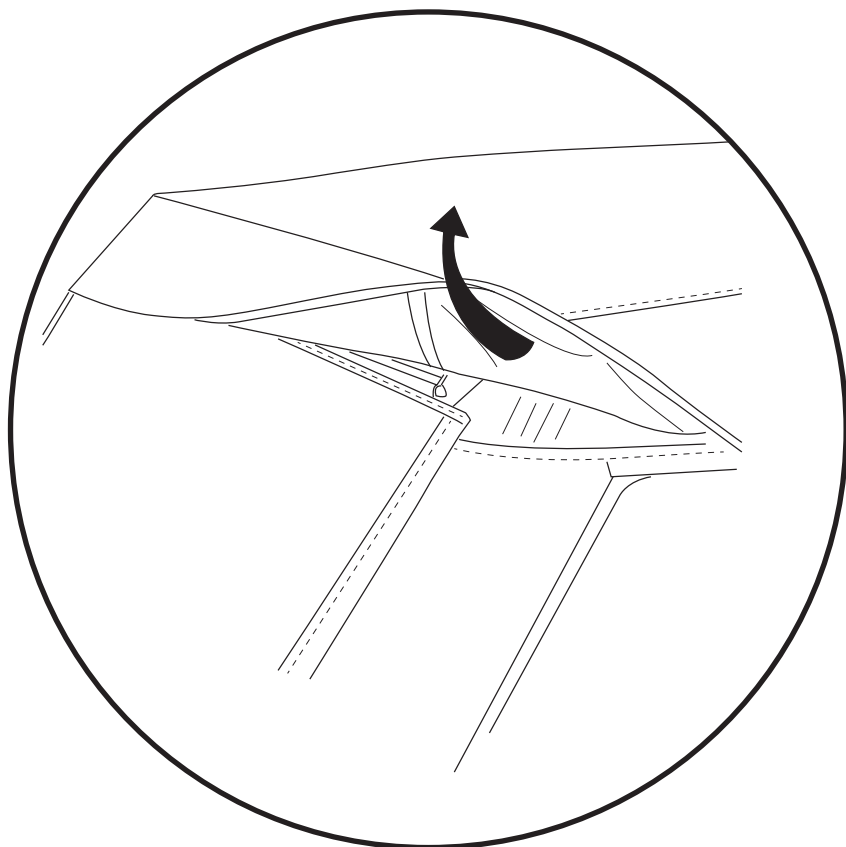




Wrap the flap around the 1.5 Bow as shown in the illustration.

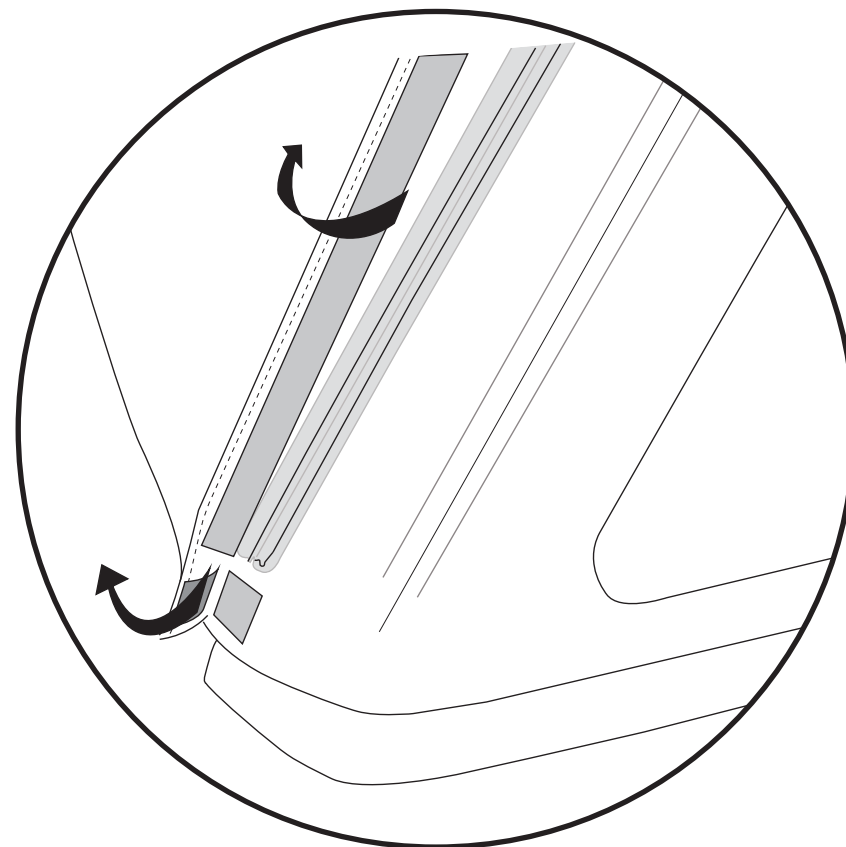
Repeat this step on the #2 Bow.





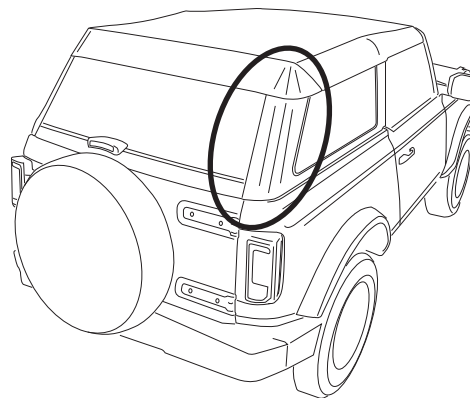
Fold the flap located on the right side rear of the top back.

Repeat this step on the left side of the vehicle.



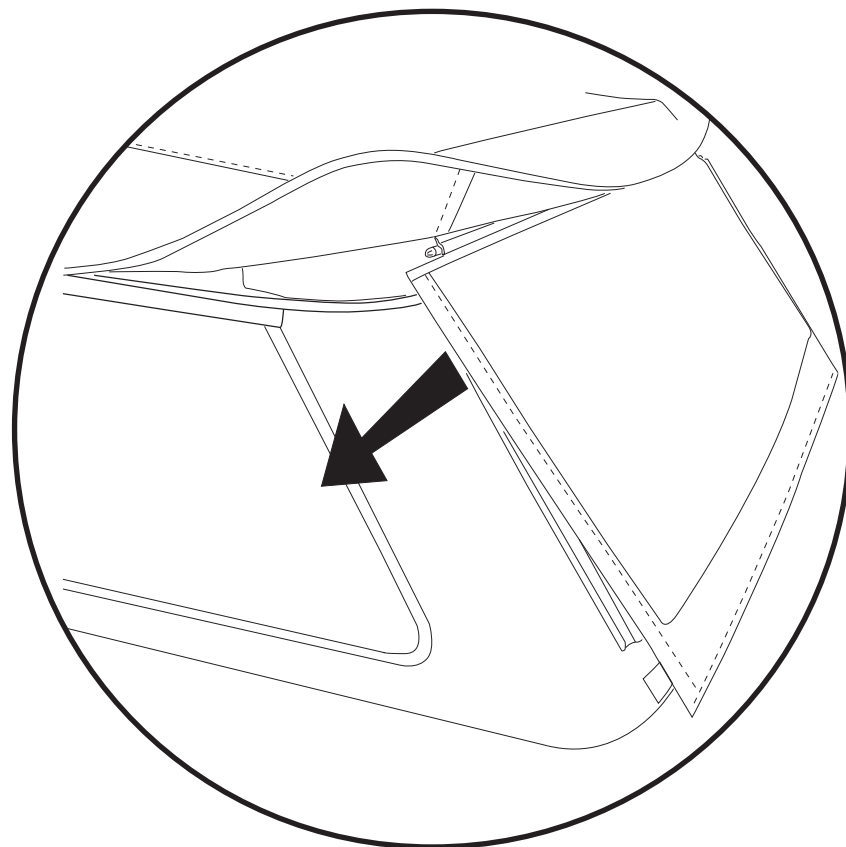
Peel the Hook from the Loop at the bottom corners of the Rear Window then peel the Rear Window vertical retainer from the Passenger Side Panel vertical retainer.

Repeat this step on the left side of the vehicle.

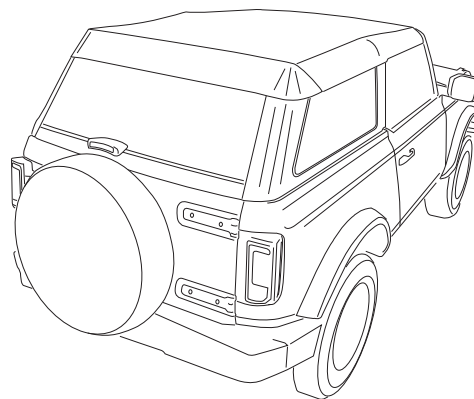


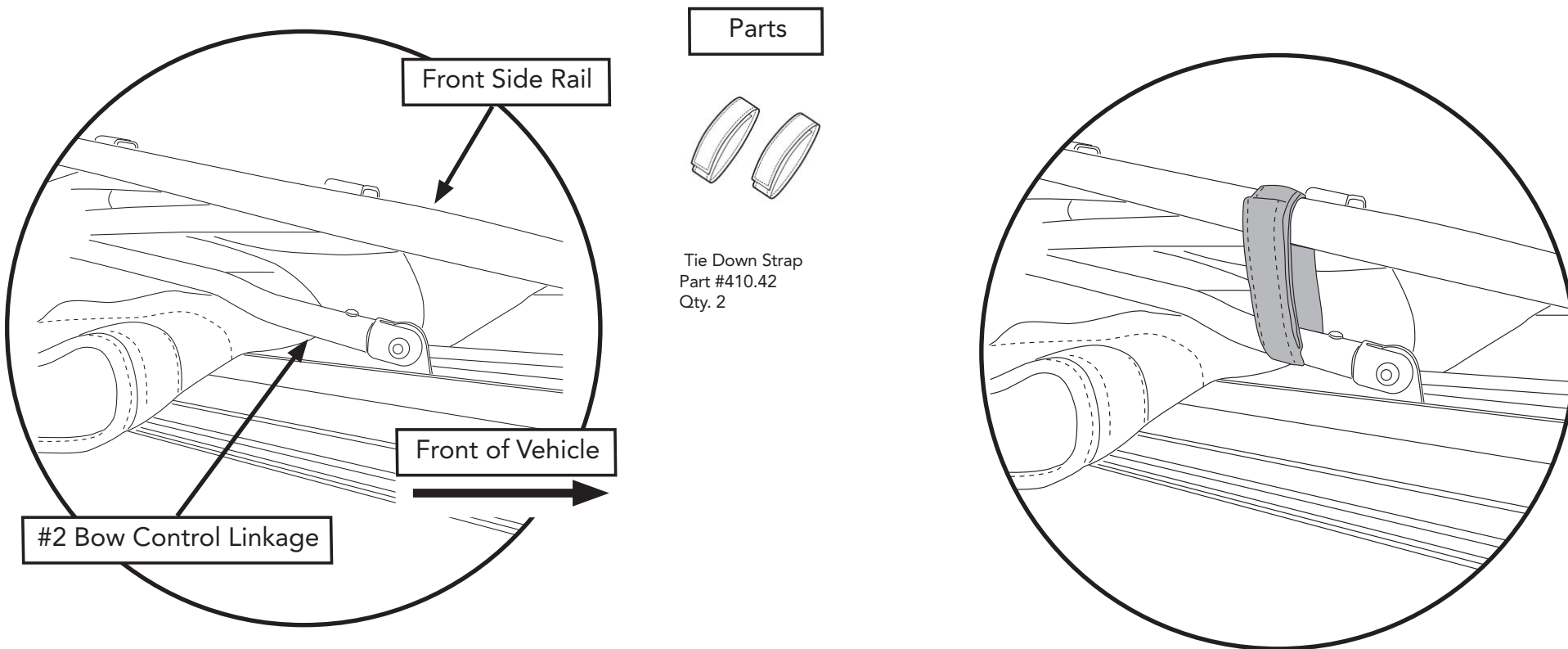


Open the Tailgate then pull back on the Tailgate Bar.



Slide the Rear Window toward the left side of the vehicle.

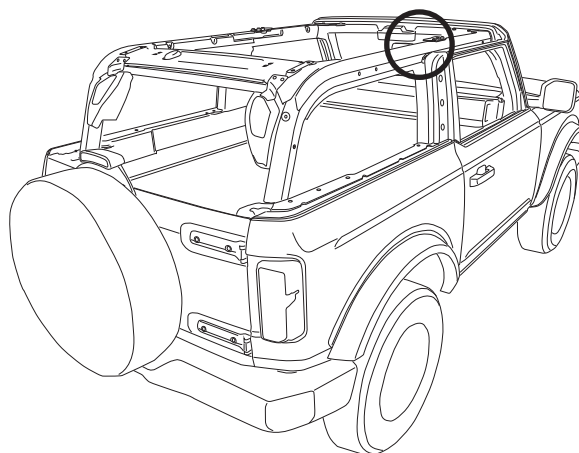




Open the top.

Wrap the Tie Down Strap around the #2 Bow Control Linkage and the Front Side Rail.

Repeat on the driver side of the vehicle.





Warranty Information Trektop for Bronco

Vehicle Application:
Ford Bronco 2 Door 2021-Current
Part Number 56872

WHAT BESTOP WARRANTS

Subject to the terms and conditions of sale, including any terms and conditions set forth by Bestop, Inc. ("Bestop" or "us" or "we") in our then-current terms of sale on our website (collectively, the "Terms"), Bestop represents and warrants that: the covered products listed in the "Covered Products and Warranty Periods" section (a "Product") will substantially be free from defects in materials and workmanship for the specified warranty periods set forth in that section.

THE WARRANTY IS LIMITED AND CONDITIONAL

This warranty applies to the original purchaser of the Product only. The warranty is valid only as long as the original retail purchaser owns the vehicle upon which the Product is installed. The warranty expires should the Product be removed from the original vehicle or if the original vehicle is transferred to another owner.

This warranty is not transferable or assignable. The warranty does not apply to Product bought from auction-style or price-bid websites.

THE LIMITED WARRANTY AND STATED REMEDIES ARE SOLE AND EXCLUSIVE AND IN LIEU OF ALL OTHER WARRANTIES AND REMEDIES, AND COMPANY EXPRESSLY DISCLAIMS ALL IMPLIED OR STATUTORY OR OTHER WARRANTIES, INCLUDING WITHOUT LIMITATIONS WARRANTIES OF MERCHANTABILITY, NON-INFRINGEMENT OR FITNESS FOR A PARTICULAR PURPOSE. IN NO EVENT WILL COMPANY BE LIABLE FOR ANY SPECIAL, INCIDENTAL, CONSEQUENTIAL, PUNITIVE, INDIRECT OR EXEMPLARY DAMAGES OF ANY KIND, INCLUDING LOST PROFITS OR REVENUE, HOWEVER CAUSED, WHETHER FOR BREACH OR REPUDIATION OF CONTRACT, TORT, BREACH OF WARRANTY, NEGLIGENCE, OR OTHERWISE, WHETHER OR NOT COMPANY WAS ADVISED OF THE POSSIBILITY OF SUCH LOSS OR DAMAGES.

Some states do not allow exclusion or limitation, so this may not apply to you. This warranty gives you specific legal rights, and you may have other rights which vary from state to state.

EXCLUSIONS TO THE WARRANTY

The Limited Warranty excludes, and Bestop is not liable in any way for any warranty claims, damages, or defects related to:

- Misuse, abuse, accidents, vandalism, negligence, fire, or improper installation or modification, or improper or inadequate maintenance;
- Failure to comply with any Product documentation, Bestop instructions, or applicable law or regulations; use in extreme conditions
- Force Majeure including but not limited to, earthquake, hurricane, tornado, flooding, or other disasters natural or man-made, civil unrest, strikes, declared or undeclared war, or lack of performance by, or discontinued product of, supply chain partners whose products, software, operations or management is beyond the control of Bestop;
- Damage resulting in breakage (including without limitation, spontaneous breakage, accidental breakage or breakage by any other means) of a Product or any component part;
- Damage to vinyl windows due to misuse, or cracking due to varying weather conditions.

YOUR SOLE REMEDY

During the applicable warranty period, Bestop shall, at its option, either repair or replace any Product that it confirms, in its discretion, is non-compliant with the warranties herein. Bestop will not pay for labor charges associated with installation or removal of the Product. Should a specific Product be discontinued, Bestop may, at its option, replace the discontinued Product with a current product or like product.

Please retain your proof of purchase. Original proof of purchase for the Product must accompany any warranty claim. If you have a warranty claim, first you must email Bestop Customer Service at csbestop@bestop.com for instructions. All claims must be emailed to csbestop@bestop.com within 30 days of discovery of a defective Product, but in no event later than thirty days after the end of the applicable Warranty Period (the "Warranty Notice Period"). Warranty claims made after the Warranty Notice Period are null and void and Bestop shall have no responsibility with respect to such claims.

THIS SECTION SETS FORTH BESTOP'S SOLE OBLIGATION & YOUR SOLE REMEDY WITH RESPECT TO ANY DEFECTS OR OTHER PRODUCT ISSUE. ANY PRODUCTS REPLACED UNDER TERMS OF THIS WARRANTY WILL BE COVERED UNDER TERMS & BALANCE OF THE DURATION OF THE ORIGINAL LIMITED WARRANTY FOR SUCH PRODUCT.



Warranty Information Trektop for Bronco

Vehicle Application:
Ford Bronco 2 Door 2021-Current
Part Number 56872

COVERED PRODUCTS AND WARRANTY PERIODS: The warranty time periods are as follows for Products manufactured by Bestop:

BESTOP® LIMITED LIFETIME WARRANTY

Trektop® Pro Twill Fabric Top Sunrider® for Hardtop Twill Fabric Top
Trektop® NX Glide Twill Fabric Top Replace-a-Top™ Twill Fabric Top
Trektop® NX Twill Fabric Top Supertop® NX Twill Fabric Top
EZFold™ Soft Tonneaus Floor & Cargo Liners
ZipRail™ Soft Tonneaus Pet Barriers
EZRoll™ Soft Tonneaus

BESTOP® 5-YEAR LIMITED WARRANTY

Trektop® NX Glide™ Top (non-Twill) Sunrider® for Hardtop (non-Twill) Replace-a-Top™ Top (non-Twill) Trektop® NX Top (non-Twill)
Sailcloth Replace-a-Top™ Supertop® NX Top (non-Twill)
Tigertop™ and Halftop™ Supertop® Classic Soft Top Sunrider® Complete Soft Top Supertop® for Truck
EZ Fold Hard Tonneau

BESTOP® 3-YEAR/100K MILES LIMITED WARRANTY

Powerboard® & Powerboard® NX
Trekstep®, Side Mount
Trekstep®, Rear Mount

BESTOP® 3-YEAR LIMITED WARRANTY

Pavement Ends Sprint Top

BESTOP® 2-YEAR LIMITED WARRANTY

Trektop® Classic Soft Top
RoughRider™ Soft Storage

BESTOP® 1-YEAR LIMITED WARRANTY

All other Bestop® & Pavement Ends™ products not specified above.

For further information or request for warranty work, please contact:

Bestop Inc. Customer Service
Toll-Free: (800)845-3567
E-mail: csbestop@Bestop.com
Website: www.Bestop.com