



Installation Instructions

For Part Numbers:

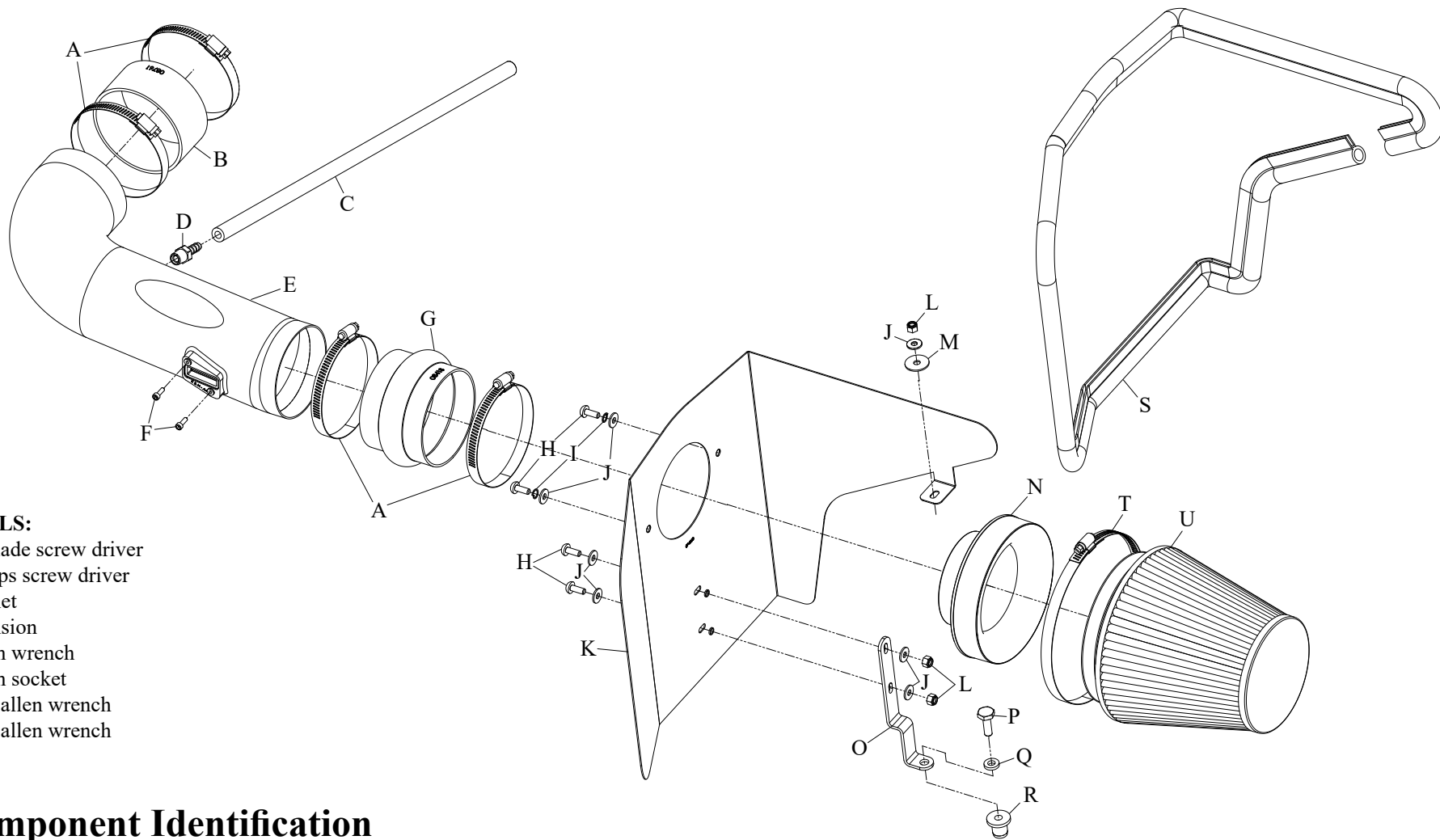
252-383 702-462 SynthaMax Dry Media Filter - Black

2010-15 CHEVROLET Camaro SS

V8-6.2L

NOT LEGAL FOR SALE OR USE ON ANY POLLUTION CONTROLLED MOTOR VEHICLE IN CALIFORNIA OR STATES ADOPTING CALIFORNIA EMISSION PROCEDURES.

See Airaid.com for CARB status on each part for a specific vehicle



TOOLS:

- flat blade screw driver
- Phillips screw driver
- Ratchet
- Extension
- 13mm wrench
- 10mm socket
- 4mm allen wrench
- 3mm allen wrench

Component Identification

Description	Qty.	Part #	Description	Qty.	Part #	Description	Qty.	Part #
A HOSE CLAMP #64 SS	4	08645	H BOLT; M6X1.00X16MM, BTTNHD	4	07730	O BRACKET; "Z", STL, TK/PC	1	083126A
B HOSE; 4" ID X 2" L	1	08761	I WASHER; 1/4" LOCK, ZN	2	08198	P BOLT; 5/16"- 18 X 1" L, SS	1	07777
C HOSE; 8MM ID X 21" L	1	08409	J WASHER; 6MM FLAT, SS	7	08269	Q WASHER; 5/16" ID X 5/8" OD	1	08276
D VENT; STRT, 5/16" BARBED, 1/4	1	08908	K HEAT SHIELD	1	074053A	R INSERT; 5/16-18 X .600 OD	1	088002
E INTAKE TUBE	1	27461ATK	L NUT; 6MM NYLOCK, HEXHEAD	3	07512	S EDGE TRIM (70")	1	102454
F BOLT; M4 - 0.07 8MM, A/H CAP	2	07733	M WASHER; 1" X.300X.100	1	21685	T HOSE CLAMP # 104	1	08697
G HOSE; 4" ID X 3" L HUMP	1	08418	N ADAPTOR; #454	1	27300	U AIR FILTER	1	702-462

Full color instructions can be viewed on our web site at Airaid.com. If you need any assistance please call 1-800-498-6951 to speak with a representative in our Customer Service Center before returning the product.

TO START:

1. Turn off the ignition and disconnect the negative battery cable.

NOTE: Disconnecting the negative battery cable erases pre-programmed electronic memories. Write down all memory settings before disconnecting the negative battery cable. Some radios will require an anti-theft code to be entered after the battery is reconnected. The anti-theft code is typically supplied with your owner's manual. In the event your vehicles anti-theft code cannot be recovered, contact an authorized dealership to obtain your vehicles anti-theft code.



2. Disconnect the mass air sensor electrical connection.



3. Remove the oil filler cap and then lift up and remove the engine cover. Reinstall the oil filler cap.



4. Disconnect the crank case vent tube from the intake resonator as shown.



5. Loosen the hose clamps which secure the stock intake tube to the air box and throttle body and then remove the stock intake tube from the vehicle.



6. Rotate the crank case vent tube 180°, then release the retainer at the valve cover port and then remove the crank case vent tube.

Continued...



7. Remove the two air box retaining nuts shown, lift up and remove the air box from the vehicle.

NOTE: AIRAID recommends that customers do not discard factory air intake.



8. Remove the air box mounting grommet shown from the frame rail.



9. Install the heat shield mounting bracket onto the heat shield as shown using the provided hardware.



10. Install the filter adapter onto the heat shield and secure with the provided hardware.



11. Install the edge trim onto the heat shield as shown.
NOTE: Some trimming of the edge trim will be necessary.



12. Install the inserted nut onto the heat shield mounting bracket using the provided hardware. Do not completely tighten at this time.



13. Install the heat shield assembly into the vehicle so the inserted nut goes into the air box mounting grommet hole and the tap goes onto the air box mounting stud. Secure the heat shield with the provided hardware.



14. Install the coupler hose (08761) onto the throttle body and secure with the provided hose clamp.



15. Install the coupler hump hose (08418) onto the filter adapter and secure with the provided hose clamp.



16. Remove the two screws and then remove the mass air sensor from the factory air box and then install the mass air sensor into the AIRAID® intake tube and secure with the provided hardware.



17. Install the provided 1/4npt fitting into the AIRAID® intake tube as shown.

NOTE: Plastic NPT fittings are easy to cross thread. Install the vent fitting “hand” tight, then turn it two complete turns with a wrench.



18. Install the AIRAID® intake tube assembly into the coupling hose at the filter adapter and then into the hose at the throttle body and secure with the provided hose clamps.



19. Attach the provided crank case vent hose to the 1/4npt fitting and then attach the open end to the vent port on the valve cover.



20. Install the AIRAID® air filter onto the filter adapter and secure with the provided hose clamp.



21. Reconnect the mass air sensor electrical connection.

Continued...



22. Reinstall the engine cover.



23. **Double check your work!**

Make sure there is no foreign material in the intake path. Make sure all clamps, hoses, bolts, and screws are tight. Double check the hood clearance!

Reconnect the negative battery cable!

Thank you for purchasing the Airaid Intake System. Contact Airaid @ (800) 498-6951 8:00 AM - 5:00 PM MST weekdays for questions regarding fit or instructions that are not clear to you. Your Airaid Intake System was carefully inspected and packaged. Check that no parts are missing, or were damaged during shipping. If any parts are missing, contact Airaid. The air filter element is protected from direct exposure to water and debris; care should be taken not to drive through deep water.

WATER INGESTION IS THE DRIVERS RESPONSIBILITY! The air filter is reusable and should be cleaned periodically.

FILTER IDENTIFICATION

702-462 Airaid SynthaMax Dry Media - Black

For your Oiled media filter we offer the
Airaid Tune Up Kit!



P/N 790-551 Aerosol Spray
P/N 790-550 Squeeze Spray



NOT LEGAL FOR SALE OR USE ON ANY POLLUTION CONTROLLED MOTOR VEHICLE IN CALIFORNIA OR STATES ADOPTING CALIFORNIA EMISSION PROCEDURES.

See Airaid.com for CARB status on each part for a specific vehicle

SynthaMax

Synthamax Air Filters **do not** require oil. Service air filter as needed by cleaning with common non-petroleum all-purpose household cleaner and water. Simple Green®, Formula 409® or equivalent works great. Apply cleaner to outside of air filter and allow to soak. Then flush filter clean from the inside out with a garden hose and repeat steps if necessary. Do not apply high pressure water or air to clean filter. Allow filter to air dry and reinstall.