



# Installation Instructions

For Part Numbers:

312-391 702-462 SynthaMax Dry Media Filter - Black

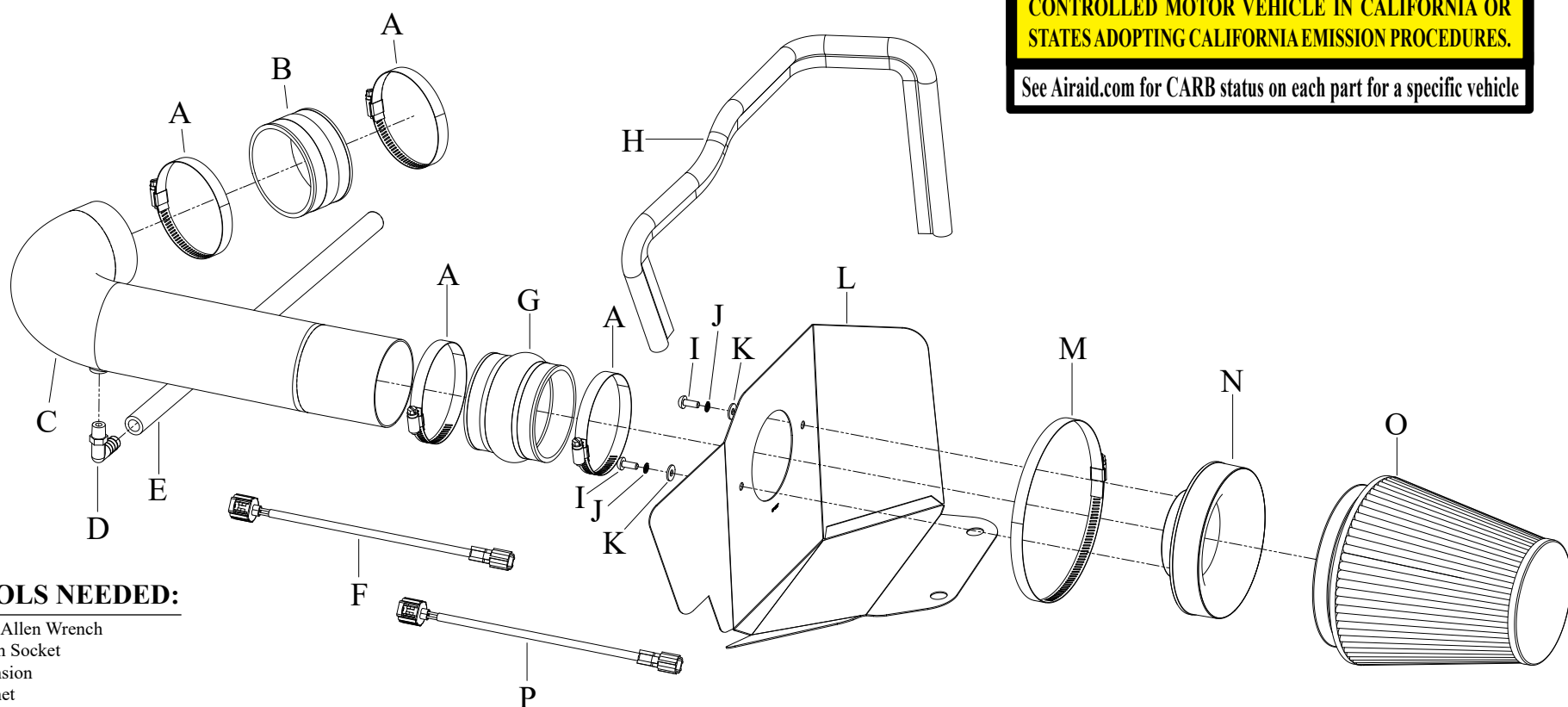
2011-18 DODGE Durango

2011-18 JEEP Grand Cherokee

V8-5.7L

**NOT LEGAL FOR SALE OR USE ON ANY POLLUTION CONTROLLED MOTOR VEHICLE IN CALIFORNIA OR STATES ADOPTING CALIFORNIA EMISSION PROCEDURES.**

See Airaid.com for CARB status on each part for a specific vehicle



## TOOLS NEEDED:

- 4mm Allen Wrench
- 10mm Socket
- Extension
- Ratchet
- 8mm socket
- Flat blade screwdriver
- 9/16" wrench
- Pliers

## Component Identification

Description	Qty.	Part #	Description	Qty.	Part #	Description	Qty.	Part #
A HOSE CLAMP #56	4	08620	G HUMP HOSE; 3.5"ID X 2.5"L	1	KITHUMPHS34	M CLAMP; #104, 9/16" SS	1	KITHS104
B COUPLER; 3.5"ID X 2"L	1	KITCOUPLER09	H EDGE TRIM (30")	1	102489	N ADAPTER; UNIVERSAL, 6"	1	21512-1
C INTAKE TUBE	1	KIT27491TK	I BOLT; M6 X 1.00 X 16M, SS	2	07730	O AIR FILTER	1	702-462
D 90 DEG, 1/2" HOSE, 1/4 NPT	1	08110FK	J WASHER; M6 SPLIT LOCK ZINC	2	1-3025	P EXTENSION HARNESS; IAT	1	21681
E HOSE; 1/2" ID X 19"L	1	084075	K WASHER; 6MM FLAT, SS	2	08269			
F EXTENSION HARNESS; IAT	1	21680	L HEAT SHIELD	1	074087			

Full color instructions can be viewed on our web site at [Airaid.com](http://Airaid.com). If you need any assistance please call 1-800-498-6951 to speak with a representative in our Customer Service Center before returning the product.

### TO START:

1. Turn off the ignition and disconnect the negative battery cable.

**NOTE: Disconnecting the negative battery cable erases pre-programmed electronic memories. Write down all memory settings before disconnecting the negative battery cable. Some radios will require an anti-theft code to be entered after the battery is reconnected. The anti-theft code is typically supplied with your owner's manual. In the event your vehicles anti-theft code cannot be recovered, contact an authorized dealership to obtain your vehicles anti-theft code.**



2. Lift up the engine cover to dislodge it from the mounting grommets and remove it from the vehicle.



3. Remove the intake plenum mounting bolt shown and loosen the intake tube hose clamp.



4. Disconnect the inlet air temperature air sensor electrical connection.



5. Disconnect the crankcase vent hose from the valve cover port.



6. Release the two upper airbox retaining clips.

## Continued...



7. Remove the upper airbox and intake tube assembly.

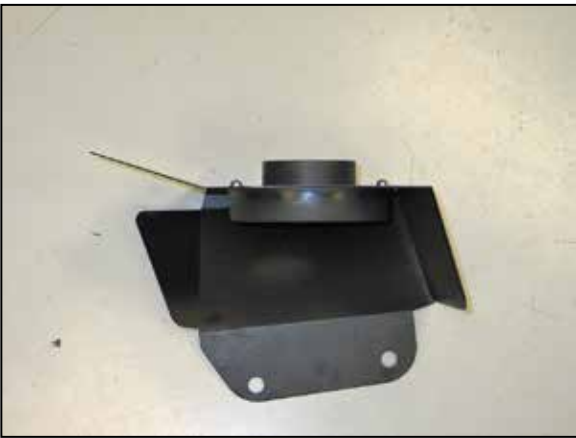


8. Unhook the sealing trim from the fresh air intake scoop.



9. Lift up the lower airbox to dislodge it from the mounting grommets and then remove the lower airbox from the vehicle.

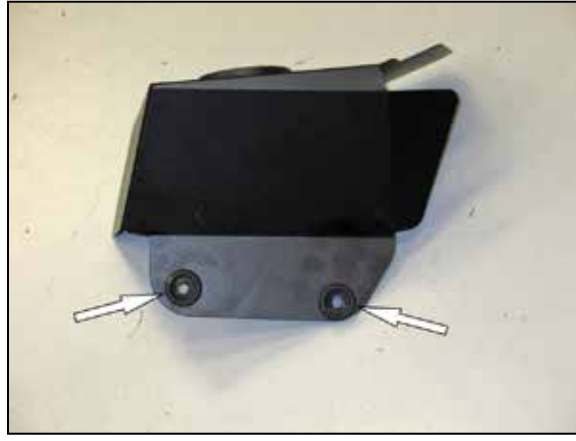
**NOTE: AIRAID recommends that customers do not discard factory air intake.**



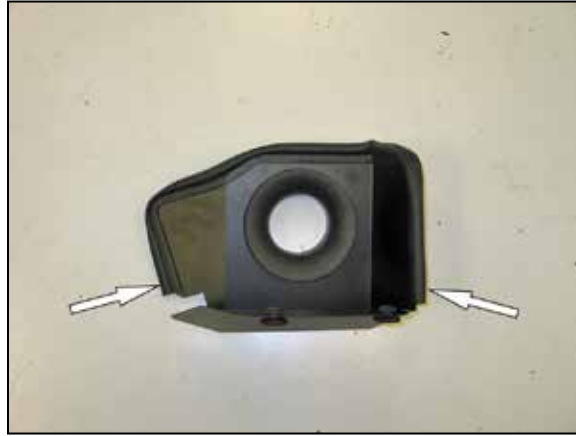
10. Install the filter adapter into the heat shield and secure with the provided hardware.



11. Remove two of the factory airbox mounting grommets from the lower airbox.



12. Install the two mounting grommets removed in the previous step into the heat shield as shown.



13. Install the provided edge trim onto the heat shield as shown.

**NOTE: Some trimming of the edge trim will be necessary.**



14. Install the provided hump hose onto the filter adapter and secure with the provided hose clamp.



15. Set the heat shield into the vehicle so that the mounting grommets slide over the factory airbox mounting studs.



16. Install the AIRAID® filter onto the adapter and secure with the provided hose clamp.



17. Install the provided hose onto the throttle body and secure with the provided hose clamp.



18. Release the locking tab and then remove the inlet air temperature sensor from the factory intake tube by twisting counter clockwise. Install the inlet air temperature sensor into the AIRAID® intake tube. **NOTE: The inlet air temperature sensor is very fragile; take care to avoid damage while handling the sensor.**



19. Install the 90° npt fitting into the AIRAID® intake tube as shown.



20. Install the AIRAID® intake tube into the silicone hump hose and then into the silicone hose at the throttle body, Secure the intake tube with the provided hose clamp.



21. Install the crankcase vent hose onto the 90° vent fitting and then attach the open end to the valve cover port.

## Continued...



22. Connect the inlet air temperature sensor extension harness into the factory electrical connection and then connect the other end into the inlet air temperature sensor as shown.



23. Reinstall the engine cover.



**24. Double check your work!**

Make sure there is no foreign material in the intake path. Make sure all clamps, hoses, bolts, and screws are tight. Double check the hood clearance!

**Reconnect the negative battery cable!**

Thank you for purchasing the Airaid Intake System. Contact Airaid @ (800) 498-6951 8:00 AM - 5:00 PM MST weekdays for questions regarding fit or instructions that are not clear to you. Your Airaid Intake System was carefully inspected and packaged. Check that no parts are missing, or were damaged during shipping. If any parts are missing, contact Airaid. The air filter element is protected from direct exposure to water and debris; care should be taken not to drive through deep water.

**WATER INGESTION IS THE DRIVERS RESPONSIBILITY!** The air filter is reusable and should be cleaned periodically.

### FILTER IDENTIFICATION

702-462 Airaid SynthaMax Dry Media - Black

For your Oiled media filter we offer the  
Airaid Tune Up Kit!



P/N 790-551 Aerosol Spray  
P/N 790-550 Squeeze Spray



**NOT LEGAL FOR SALE OR USE ON ANY POLLUTION CONTROLLED MOTOR VEHICLE IN CALIFORNIA OR STATES ADOPTING CALIFORNIA EMISSION PROCEDURES.**

See [Airaid.com](http://Airaid.com) for CARB status on each part for a specific vehicle

*SynthaMax*

Synthamax Air Filters **do not** require oil. Service air filter as needed by cleaning with common non-petroleum all-purpose household cleaner and water. Simple Green®, Formula 409® or equivalent works great. Apply cleaner to outside of air filter and allow to soak. Then flush filter clean from the inside out with a garden hose and repeat steps if necessary. Do not apply high pressure water or air to clean filter. Allow filter to air dry and reinstall.