



Installation Instructions

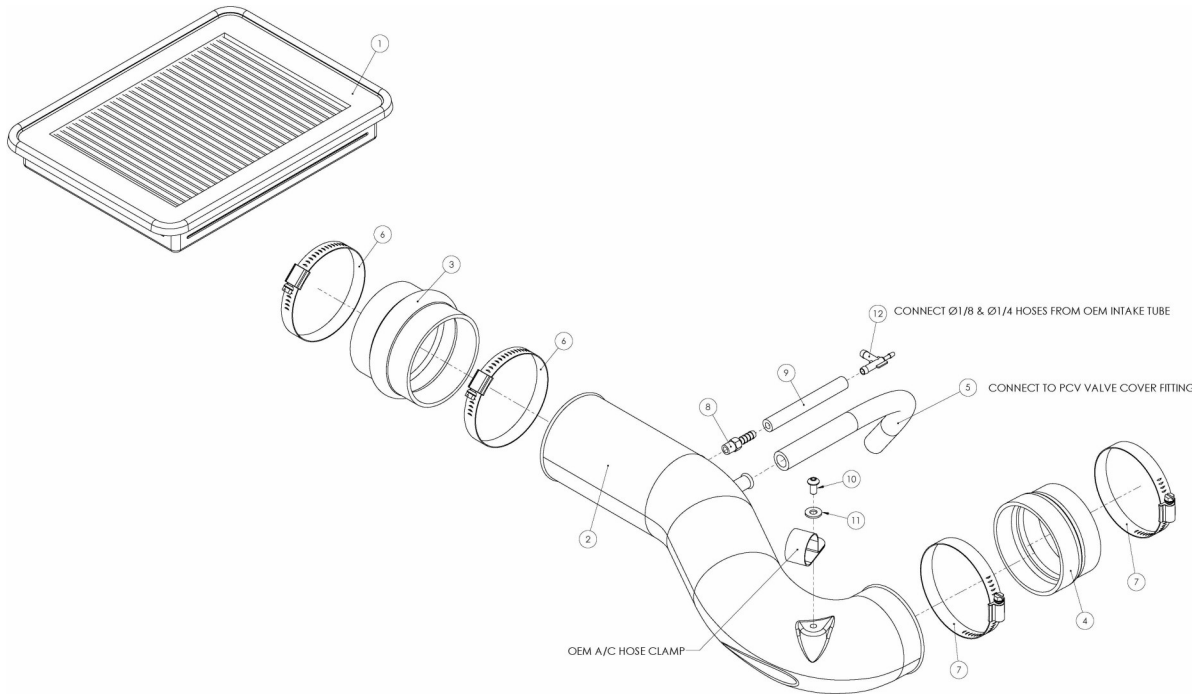
For Part Numbers:

510-781	850-144 Airaid Oiled Media Filter
511-781	851-144 SynthaMax Dry Media Filter - Red
512-781	852-144 SynthaMax Dry Media Filter - Black
513-781	853-144 SynthaMax Dry Media Filter - Blue

2005-06 Toyota Tundra

2006 Toyota Sequoia

4.7L V8



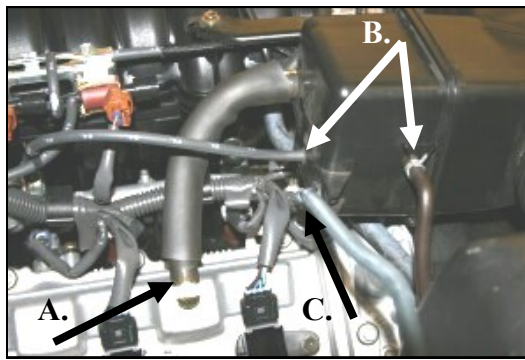
Component Identification

1.	Airaid Premium Filter	1
2.	Modular Intake Tube	1
3.	Urethane Hump Hose	1
4.	Reducer Coupler	1
5.	1/2" x 13" Breather Hose	1
6.	#60 Hose Clamp	2
7.	#52 Hose Clamp	2
8.	1/4" Barb x 1/8" NPT Fitting	1
9.	1/4" x 4" Hose	1
10.	1/4 - 20 x 1/2" Button Head Bolt	1
11.	1/4" Flat Washer	1
12.	1/4" x 1/4" x 1/8" Vacuum Tee	1

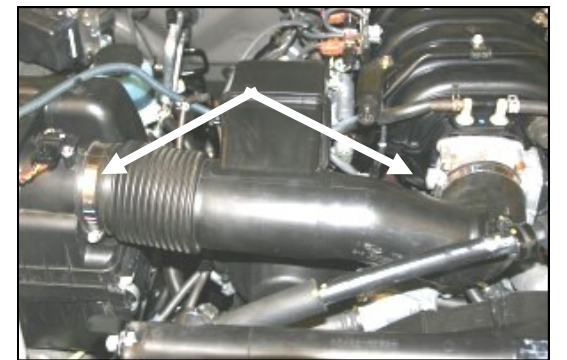
Full color instructions can be viewed on our web site at Airaid.com. Use the **Product Search** function to find your part number, and click **View Details**.



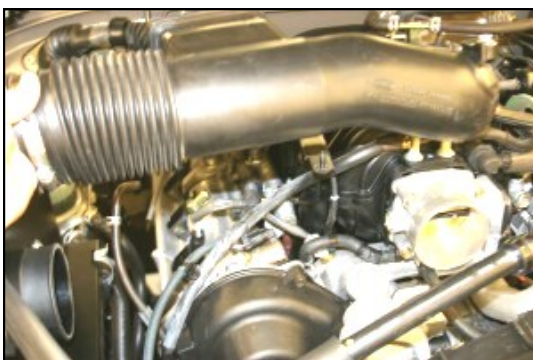
1. Disconnect negative battery cable.
A) Using a 10mm socket, remove the two 10mm nuts, and remove the beauty cover. (Save for reuse). B) Remove the bolt thru the Adel clamp that holds the air conditioning hose.



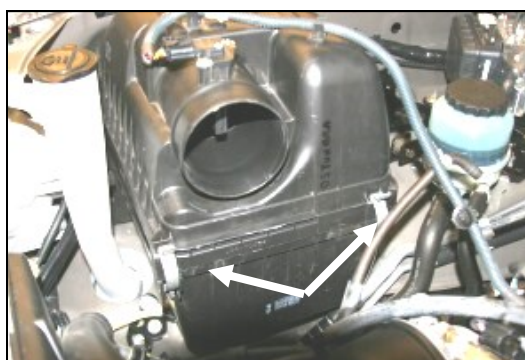
2. A) Disconnect the breather hose at the valve cover. B) Disconnect the 1/8" and 1/4" vacuum lines on the back of the factory intake tube. C) Unclip the wiring harness retainer from the back of the intake tube.



3. Loosen the hose clamps on the intake tube at the throttle body, and at the airbox.



4. Remove the factory intake tube from the vehicle.



5. Unlatch the 4 clips on the factory airbox, and remove the lid.



6. Remove the factory air filter, and install the Airaid Premium Filter (#1). Reinstall the factory airbox lid, and relatch the 4 clips.



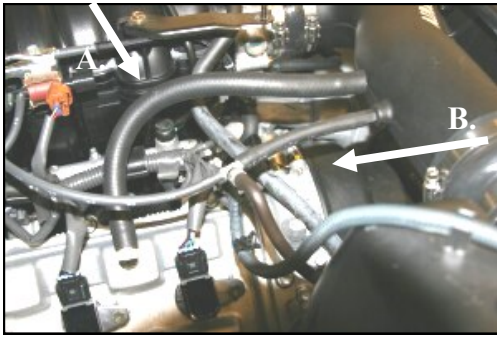
7. Install the urethane hump hose (#3) onto the factory airbox using two #60 hose clamps (#6). Next install the reducer coupler (#4), small side first, onto the throttle body using two #52 hose clamps (#7). Leave the clamps loose for now.



8. Install the 1/4" barb x 1/8" NPT fitting (#8) into the Airaid Modular Intake Tube (MIT) (#2) as shown. Now slide the 1/4" x 4" hose (#9) onto the barb fitting.



9. Install the MIT into the hump hose first, and then into the reducing coupler. Adjust the MIT snugly against the throttle body, and tighten the 4 hose clamps. Next install the 1/4 - 20 x 1/2" button head bolt (#10) and 1/4" flat washer (#11) thru the Adel clamp and into the MIT to hold the air conditioning hose.



10. A) Install the 1/2" x 13" breather hose (#5) from the MIT to the valve cover.
 B) Install the 1/4" x 1/4" x 1/8" vacuum tee (#12) into the 1/4" x 4" hose (#9) and then to the factory 1/4" and 1/8" vacuum lines, as shown.



11. Reinstall the beauty cover removed in step #1.

12. **Double check your work!**
 Make sure there is no foreign material in the intake path. Make sure all clamps, hoses, bolts, nuts, and screws are tight.

13. **Reconnect the negative battery cable!**

Thank you for purchasing the Airaid Intake System. Contact Airaid @ (800) 498-6951 8:00 AM - 5:00 PM MST weekdays for questions regarding fit or instructions that are not clear to you. Your Airaid Intake System was carefully inspected and packaged. Check that no parts are missing, or were damaged during shipping. If any parts are missing, contact Airaid. The air filter element is protected from direct exposure to water and debris; care should be taken not to drive through deep water. **WATER INGESTION IS THE DRIVERS RESPONSIBILITY!** The air filter is reusable and should be cleaned periodically.

FILTER IDENTIFICATION

850-144 Airaid Oiled Media
 852-144 Airaid SynthaMax Dry Media - Black

851-144 Airaid SynthaMax Dry Media - Red
 853-144 Airaid SynthaMax Dry Media - Blue

For your Oiled media filter we suggest using the AIRAID Filter Tune-Up Kit!



Do Not Oil



Synthamax Air Filters do not require oil. Service air filter as needed by cleaning with common non-petroleum all-purpose household cleaner and water. Simple Green®, Formula 409® or equivalent works great. Apply cleaner to outside of air filter and allow to soak. Then flush filter clean from the inside out with a garden hose and repeat steps if necessary. Do not apply high pressure water or air to clean filter. Allow filter to air dry and reinstall.

P/N 790-551 Aerosol Spray
 P/N 790-550 Squeeze Spray

