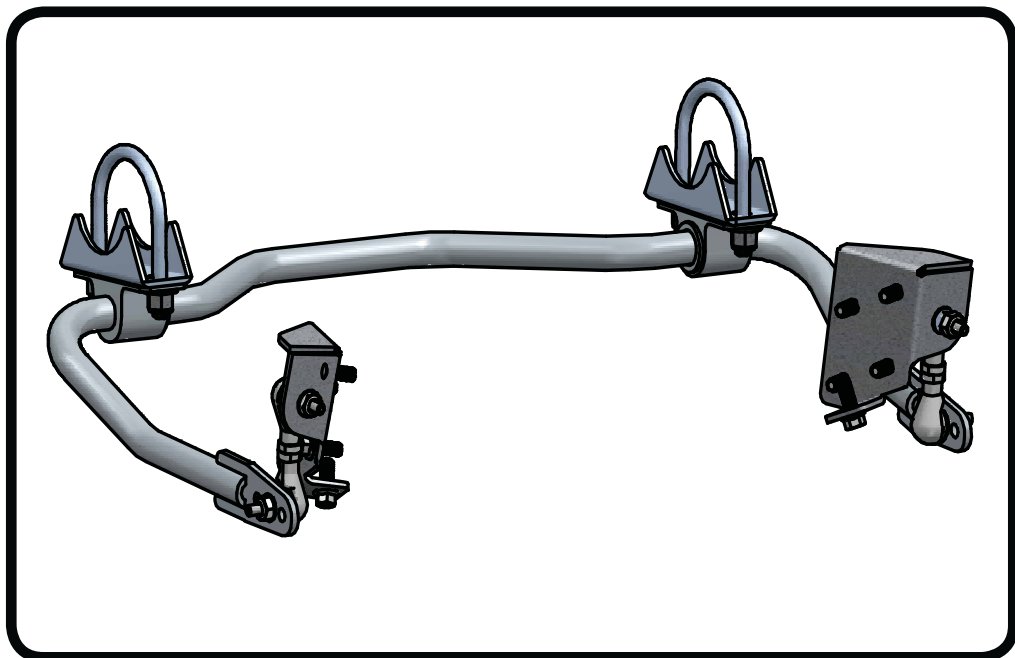
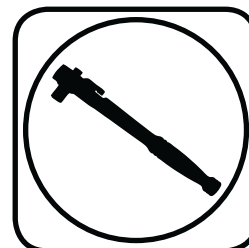




Part # 11059102 - 58-64 Chevy Fullsize Rear MuscleBar



Recommended Tools



58-64 Chevy Fullsize MuscleBar Installation Instructions

Table of contents

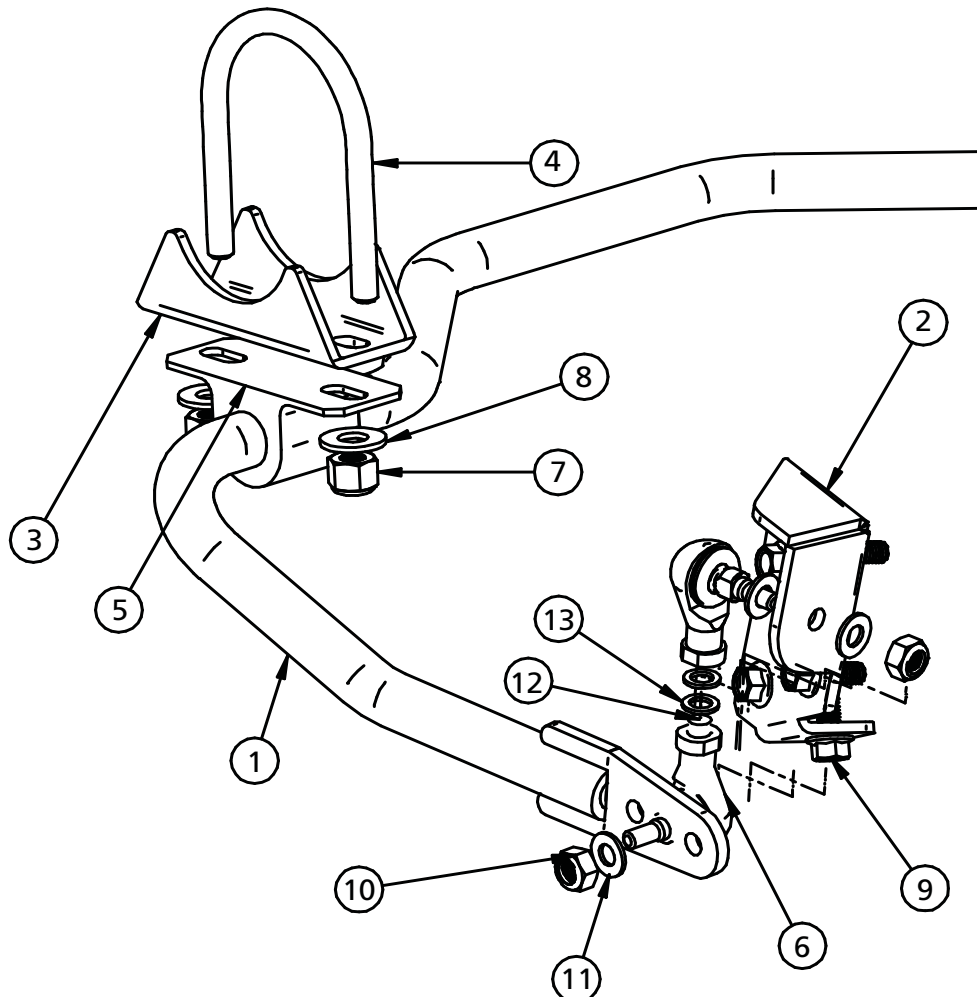
- Page 2..... Included components and Hardware List
- Page 3..... Getting Started
- Page 4..... MuscleBar Installation
- Page 5..... MuscleBar Installation
- Page 6..... Final Tightening and Adjusting





Major ComponentsIn the box

Item #	Part #	Description	QTY
1	90002444	58-64 Rear MuscleBar Assembly	1
2	90002445	Driver Frame Bracket	1
2	90002446	Passenger Frame Bracket	1
3	90000740	Axle Saddle Bracket	2
4	90000088	7/16" U bolt	2
5	99800004	Poly Bushing and Bracket	2
6	90000926	10mm 90 degree PosiLink end	4
	90001092	Tube of Lithium Grease (Not Shown)	





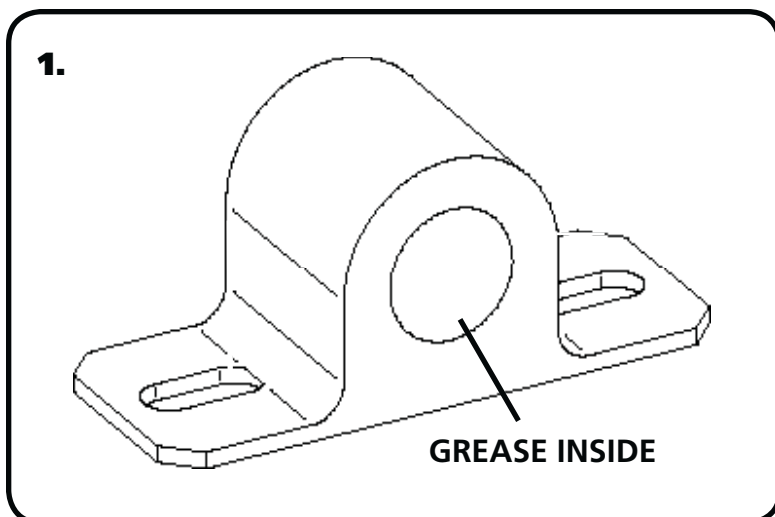
Hardware ListIn the box

Item #	QTY	Part Number	Description	Location
7	4	99432001	7/16" -14 Nylok Nut	Axle Mount U-bolt
8	4	99433002	7/16" SAE Flatwasher	Axle Mount U-bolt
9	10	99373007	3/8"-16 x 1 Thread Forming Bolt	Frame Bracket to Frame
10	4	99112002	10mm-1.5 Nylok Nut	PosiLink to Bracket and MuscleBar
11	8	99373003	3/8" SAE FlatWasher	PosiLink to Bracket and MuscleBar
12	2	99115001	10mm-1.5 x 40mm Stud	Preassembled in Posilink Assembly
13	4	90002275	Aluminum Crush Washer	Preassembled in Posilink Assembly

Getting Started.....

Congratulations on your purchase of the Ridetech Rear Muscle Bar. This system has been designed to give your car excellent handling along with a lifetime of enjoyment. One of the key features of this MuscleBar: Posilinks - The Posilink makes the reaction of the swaybar instantaneous, tuneability - this Musclebar has 3 positions to aid in the tuning of the handling of your car.

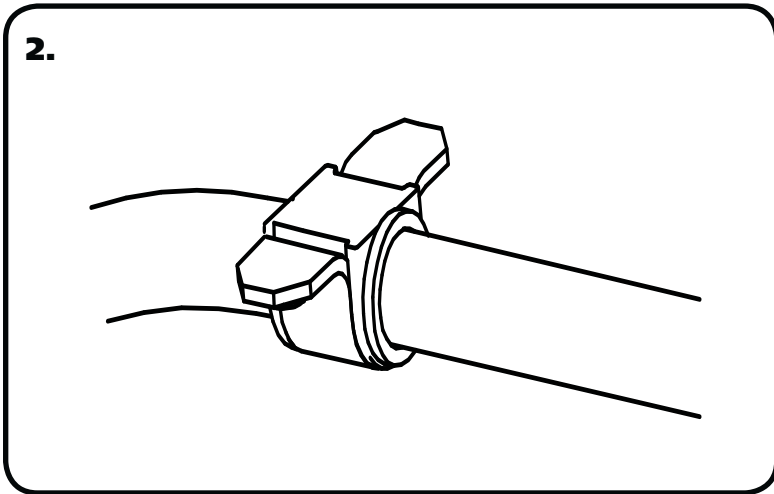
The MuscleBar has 3 positions to aid in the tuning of your car's handling. We start in the center position and tune from there. The position to the front of the car will make the Musclebar softer. The position to the rear of the car will make the MuscleBar stiffer.



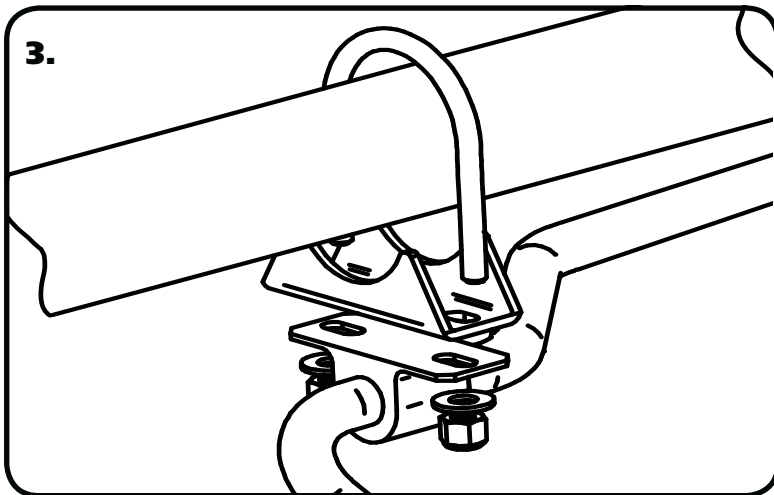
1. Apply Lithium grease to the inside of the sway bar bushings using the tube of grease supplied in the kit.



MuscleBar Installation



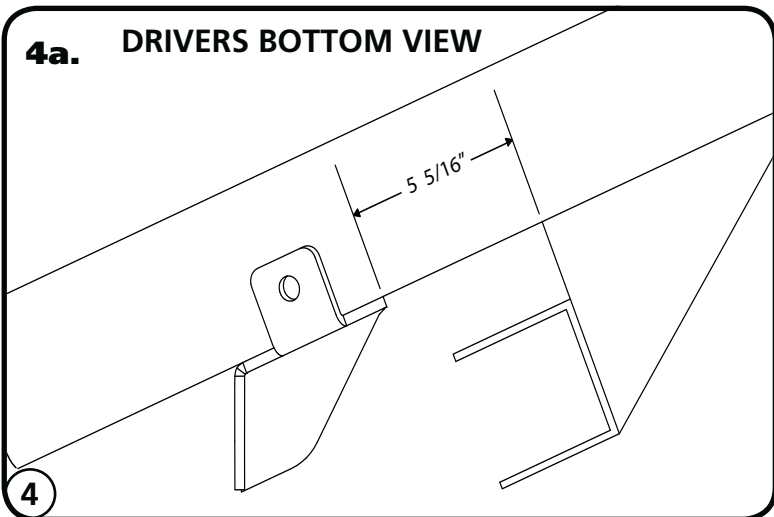
2. Install the swaybar bushings and straps onto the MuscleBar. The bushings and straps get installed on the outer ends of the MuscleBar against the stop rings.



3. Install the U-bolts over the axle, slide the saddles onto the ubolts along with the MuscleBar. The MuscleBar should be centered on the rearend. Install the 7/16" washer and Nylok nut loosely for now. **DO NOT TIGHTEN NUTS YET.**

Note: It may be necessary to trim the panhard mount to get the saddle to sit in place properly on the axle tube. The saddle should be level with the ground.

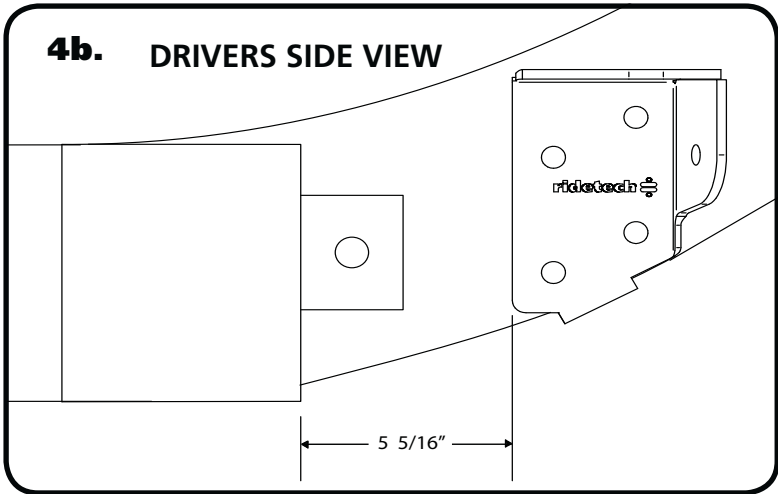
Note: With the arms parallel with the ground the rear of the Muscle bar should be angle down towards the ground.



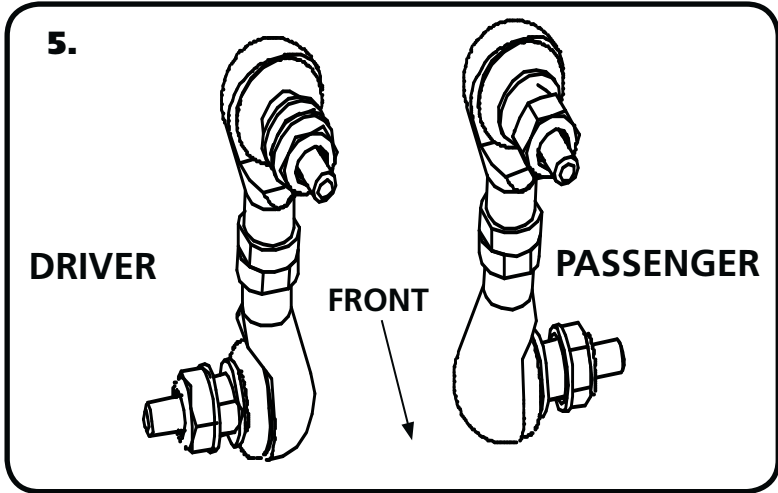
4a . There is a Driver and Passenger frame bracket. In illustrations 4a & 4b, the drivers side is shown. The bracket gets located by measuring from the lower control arm frame bracket. The frame bracket is located 5 5/16" (measuring towards the rear of the car) from the factory control arm bracket. This measurement is taken right where the factory bracket attaches to the frame.



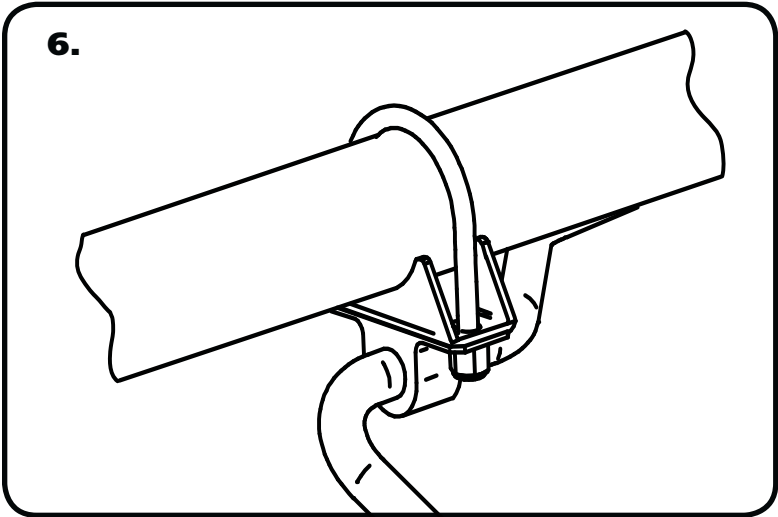
MuscleBar Installation



4b. This illustration shows the frame bracket as looking from the side. With the frame bracket held in place mark the (5) mounting holes. Drill these holes with a 5/16" drill bit. Attach each bracket with (5) 3/8-16" thread forming bolts.



5. Install the PosiLinks in the frame brackets and in the CENTER hole in the MuscleBar using a 3/8" SAE Flatwasher on each side of the bracket and on each side of the mount on the MuscleBar. The Posilinks are installed with the stud on the upper Posilink pointing forward and the stud on the lower Posilink pointing to the inside of the car. Install the 10mm Nylok on Posilink and tighten nut.



6. Tighen the 7/16" Nylok nuts on the U-bolts making sure the Musclebar is centered on the rearend.



Final Tightening and Adjusting

5. The MuscleBar has (3) holes in the arms for adjustment. The center hole is the standard hole. You can stiffen the bar by moving the Posilnk in to the hole closest to the differential, or soften it by moving it to the hole at the end of the bar.

Note: If any grease is needed after installation use a lithium based grease. **DO NOT USE A PETROLEUM BASED GREASE**

STILL HAVE QUESTIONS?

Tech line hours

Monday - Friday

8AM - 6PM (EST) 812-482-2932

www.ridetech.com
812-482-2932